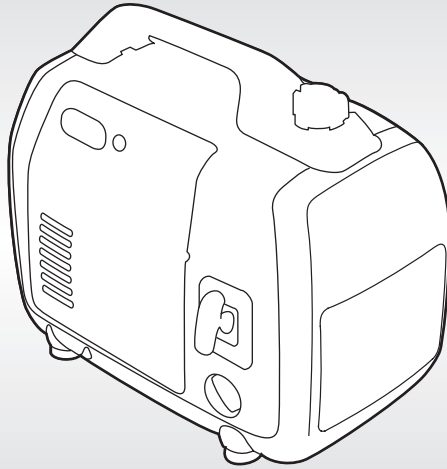


HONDA

GENERATOR

EU22i



OWNER'S MANUAL
MANUEL DE L'UTILISATEUR
BEDIENUNGSANLEITUNG
MANUALE DELL'UTENTE

Honda EU22i

OWNER'S MANUAL
Original instructions

MANUEL DE L'UTILISATEUR
Notice originale

BEDIENUNGSANLEITUNG
Originalbetriebsanleitung

MANUALE DELL'UTENTE
Traduzione delle istruzioni originali

Thank you for purchasing a Honda generator.

This manual covers operation and maintenance of the EU22i generator.

All information in this publication is based on the latest product information available at the time of approval for printing.

Honda Motor Co., Ltd. reserves the right to make changes at any time without notice and without incurring any obligation.

No part of this publication may be reproduced without written permission.

This manual should be considered a permanent part of the generator and should remain with it if it is resold.

Pay special attention to statements preceded by the following words:

▲WARNING Indicates a strong possibility of severe personal injury or death if instructions are not followed.

CAUTION: Indicates a possibility of personal injury or equipment damage if instructions are not followed.

NOTE: Gives helpful information.

If a problem should arise, or if you have any questions about the generator, consult an authorized Honda dealer.

▲WARNING
Honda generator is designed to give safe and dependable service if operated according to instructions. Read and understand the Owner's Manual before operating the generator. Failure to do so could result in personal injury or equipment damage.

The illustration may vary according to the type.

CONTENTS

1. SAFETY INSTRUCTIONS.....	3
2. SAFETY LABEL LOCATIONS.....	7
• CE mark and noise label locations	10
3. COMPONENT IDENTIFICATION	11
4. PRE-OPERATION CHECK.....	15
5. STARTING THE ENGINE	20
• Carburetor Modification for High Altitude Operation.....	23
6. GENERATOR USE.....	24
7. STOPPING THE ENGINE	39
8. MAINTENANCE.....	42
9. TRANSPORTING/STORAGE.....	47
10. TROUBLESHOOTING	50
11. SPECIFICATIONS	53
12. WIRING DIAGRAM	56
RECEPTACLE	57
MAJOR Honda DISTRIBUTOR ADDRESSES	Inside back cover
“EC Declaration of Conformity”	
CONTENT OUTLINE	Inside back cover

1. SAFETY INSTRUCTIONS

IMPORTANT SAFETY INFORMATION

Honda generators are designed for use with electrical equipment that has suitable power requirements. Other uses can result in injury to the operator or damage to the generator and other property.

Most injuries or property damage can be prevented if you follow all instructions in this manual and on the generator. The most common hazards are discussed below, along with the best way to protect yourself and others.

Never attempt to modify the generator. It can cause an accident as well as damage to the generator and appliances. Tampering with the engine voids the EU type-approval of this engine.

- Do not connect an extension to the muffler.
- Do not modify the intake system.
- Do not adjust the governor.
- Do not remove the control panel or do not change the wiring of the control panel.

Operator Responsibility

Know how to stop the generator quickly in case of emergency.

Understand the use of all generator controls, output receptacles, and connections.

Be sure that anyone who operates the generator receives proper instruction. Do not let children operate the generator without parental supervision.

Be sure to observe the instructions in this manual for how to use the generator and maintenance information. Ignoring or improperly following the instructions can cause an accident such as an electric shock, and the condition of the exhaust gas may deteriorate.

Obey all applicable laws and regulations where the generator is used.

Gasoline and Oil is toxic. Follow the instructions provided by each manufacturer before use.

Place the generator on a firm level place before operation.

Do not operate the generator with any cover removed. You may get your hand or foot caught in the generator and it may cause accident.

Consult your authorized Honda dealer for disassembly and service of the generator that are not covered in this manual.

Carbon Monoxide Hazards

Exhaust contains poisonous carbon monoxide, a colorless, odorless gas. Breathing exhaust can cause loss of consciousness and may lead to death.

If you run the generator in an area that is confined, or even partially enclosed area, the air you breathe could contain a dangerous amount of exhaust gas.

Never run your generator inside a garage, house, or near open windows or doors.

Electric Shock Hazards

The generator produces enough electric power to cause a serious shock or electrocution if misused.

Using a generator or electrical appliance in wet conditions, such as rain or snow, or near a pool or sprinkler system, or when your hands are wet, could result in electrocution.

Keep the generator dry.

If the generator is stored outdoors, unprotected from the weather, check all of the electrical components on the control panel before each use. Moisture or ice can cause a malfunction or short circuit in electrical components that could result in electrocution.

If you get an electric shock, consult a doctor and have medical treatment immediately.

For parallel operation, use only a Honda approved receptacle box (optional equipment) when connecting the generator combinations shown below.

EU22i and EU22i

EU22i and EU20i *

* An EU22i can only be paired with EU20i models that have serial numbers within the ranges shown below.

Applicable frame serial number of EU20i	EAAJ-2032188 and later
	EACT-1000001 and later

Never connect an EU22i generator to a different generator model, other than the models specified above.

Fire and Burn Hazards

Do not use the generator in areas with a high risk of fire.

The exhaust system gets hot enough to ignite some materials.

- Keep the generator at least 1 meter (3 feet) away from buildings and other equipment during operation.
- Do not enclose the generator in any structure.
- Keep flammable materials away from the generator.

Some parts of the internal combustion engine are hot and may cause burns. Pay attention to the warnings on the generator.

The muffler becomes very hot during operation and remains hot for a while after stopping the engine. Be careful not to touch the muffler while it is hot. Let the engine cool before storing the generator indoors.

Do not pour the water directly on the generator to put out the fire when it occurs. Use an appropriate fire extinguisher specially designed for electric fire or oil fire.

If you inhale fumes produced by an accidental fire with the generator, consult a doctor and have medical treatment immediately.

Refuel With Care

Gasoline is extremely flammable, and gasoline vapor can explode. Allow the engine to cool if the generator has been in operation.

Refuel only outdoors in a well ventilated area with the engine off.

Do not refuel during operation.

Do not overfill the fuel tank.

Never smoke near gasoline, and keep other flames and sparks away.

Always store gasoline in an approved container.

Make sure that any spilled fuel has been wiped up before starting the engine.

Explosion proof

This generator is not compliant with explosion proof.

Disposal

To protect the environment, do not dispose of the used generator, battery, engine oil, etc. carelessly by leaving them in the waste. Observe the local laws or regulations or consult your authorized Honda generator dealer to dispose of these parts.

Please dispose of used motor oil in a manner that is compatible with the environment. We suggest you take it in a sealed container to your local service station for reclamation. Do not throw it in the trash or pour it on the ground.

An improperly disposed battery can hurt the environment. Always confirm local regulations for battery disposal. Contact your servicing dealer for a replacement.

Disposing of generator



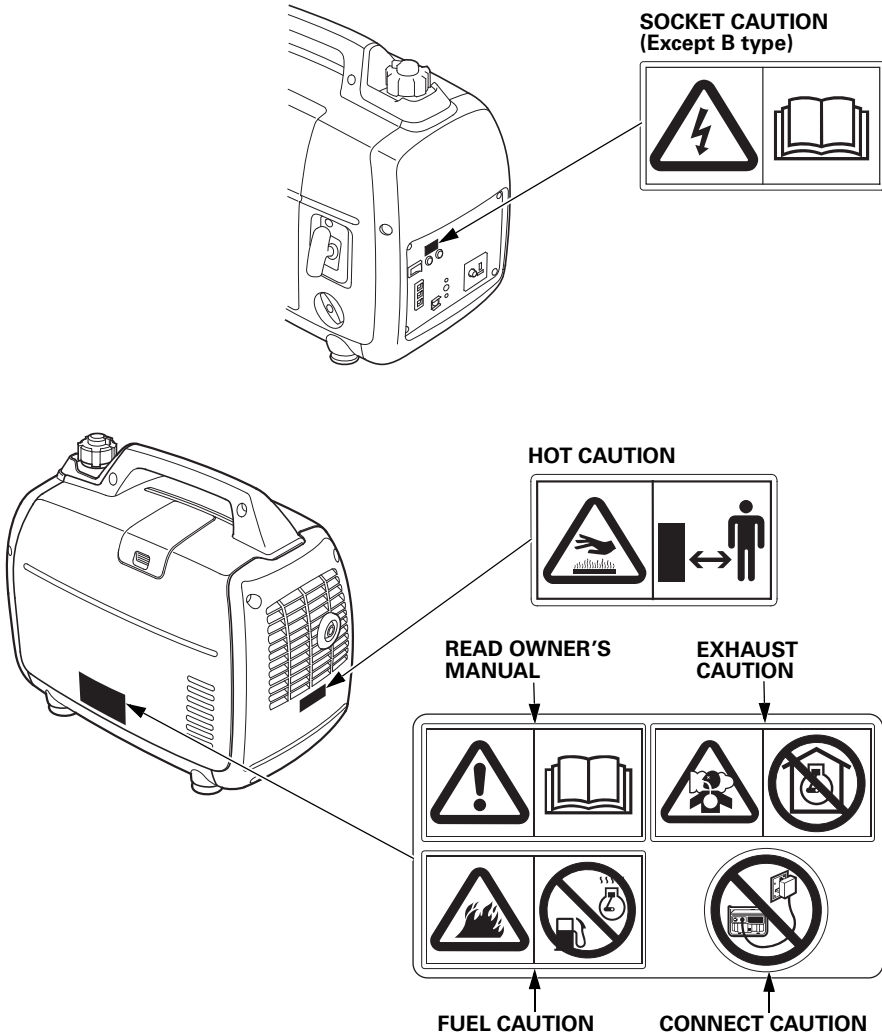
Do not dispose of electric equipment together with household waste material. If electrical appliances are disposed of in landfills or dumps, substances can leak and react and enter into the foodchain, damaging your health and well-being. For further information on the disposal of this product, please contact your dealer or your nearest domestic waste collection service.

2. SAFETY LABEL LOCATIONS

These labels warn you of potential hazards that can cause serious injury. Read the labels and safety notes and precautions described in this manual carefully.

If a label comes off or becomes hard to read, contact your Honda servicing dealer for a replacement.

[For European model: B, B1, E, F, G, W types]



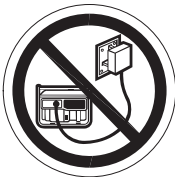


- **Honda generator is designed to give safe and dependable service if operated according to instructions.**

Read and understand the Owner's Manual before operating the generator. Failure to do so could result in personal injury or equipment damage.



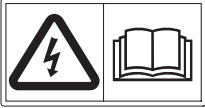
- **Exhaust contains poisonous carbon monoxide, a colorless, odorless gas. Breathing carbon monoxide can cause loss of consciousness and may lead to death.**
- **If you run the generator in an area that is confined, or even partially enclosed area, the air you breathe could contain a dangerous amount of exhaust gas.**
- **Never run your generator inside a garage, house or near open windows or doors.**



- **Improper connections to a building's electrical system can allow current from the generator to backfeed into the utility lines. Such backfeed may electrocute utility company workers or others who contact the lines during a power outage, and the generator may explode, burn, or cause fires when utility power is restored. Consult the utility company or a qualified electrician prior to making any power connections.**



- **Gasoline is highly flammable and explosive. Turn the engine off and let it cool before refueling.**



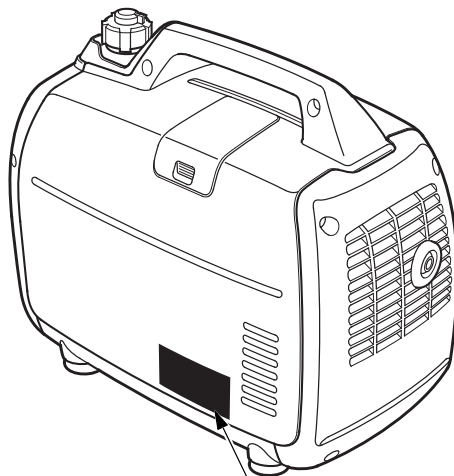
- **Connect and remove the receptacle box for parallel operation with the engine stopped.**
- **For single operation, the receptacle box for parallel operation must be removed.**



- **A hot exhaust system can cause serious burns. Avoid contact if the engine has been running.**

• CE mark and noise label locations

[For European model: B, B1, E, F, G, W types]



CE MARK and NOISE LABEL
[Example: B1, E, F, G and W types]

NOISE LABEL **Performance class**

 90 dB	EU22i Low-power generating set EN ISO 8528-13			 Quality class	
	Maximum power	MAX 2.2 kW	50 Hz		G1
	Rated power	COP 1.8 kW	230V		A
	Rated power factor	1.0	7.8A		IP23M
Year of Mfg.			Mass	kg	

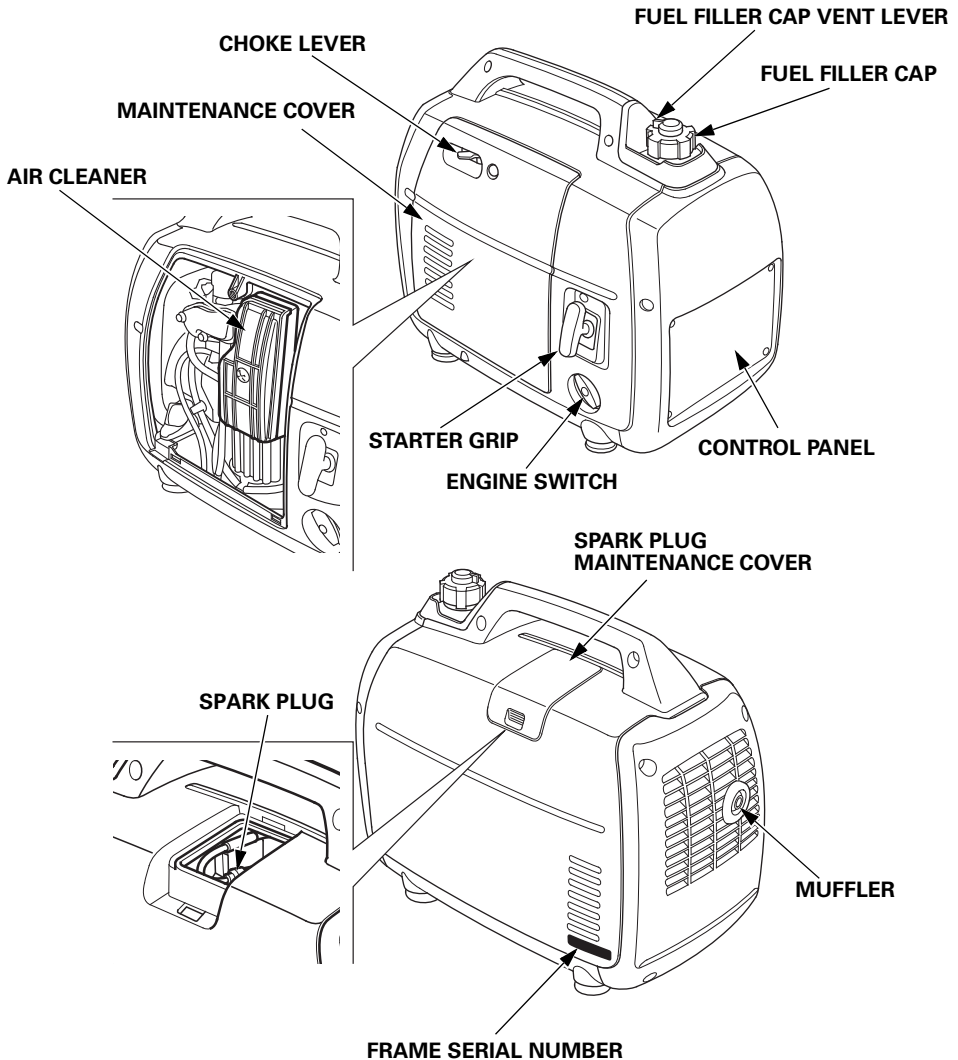
Manufacturer and address **Year of manufacture** **Name and address of authorized representative and importer**

Dry mass (weight)

IP code

Name and address of manufacturer, authorized representative and importer are written in the "EC Declaration of Conformity" CONTENT OUTLINE in this Owner's Manual.

3. COMPONENT IDENTIFICATION



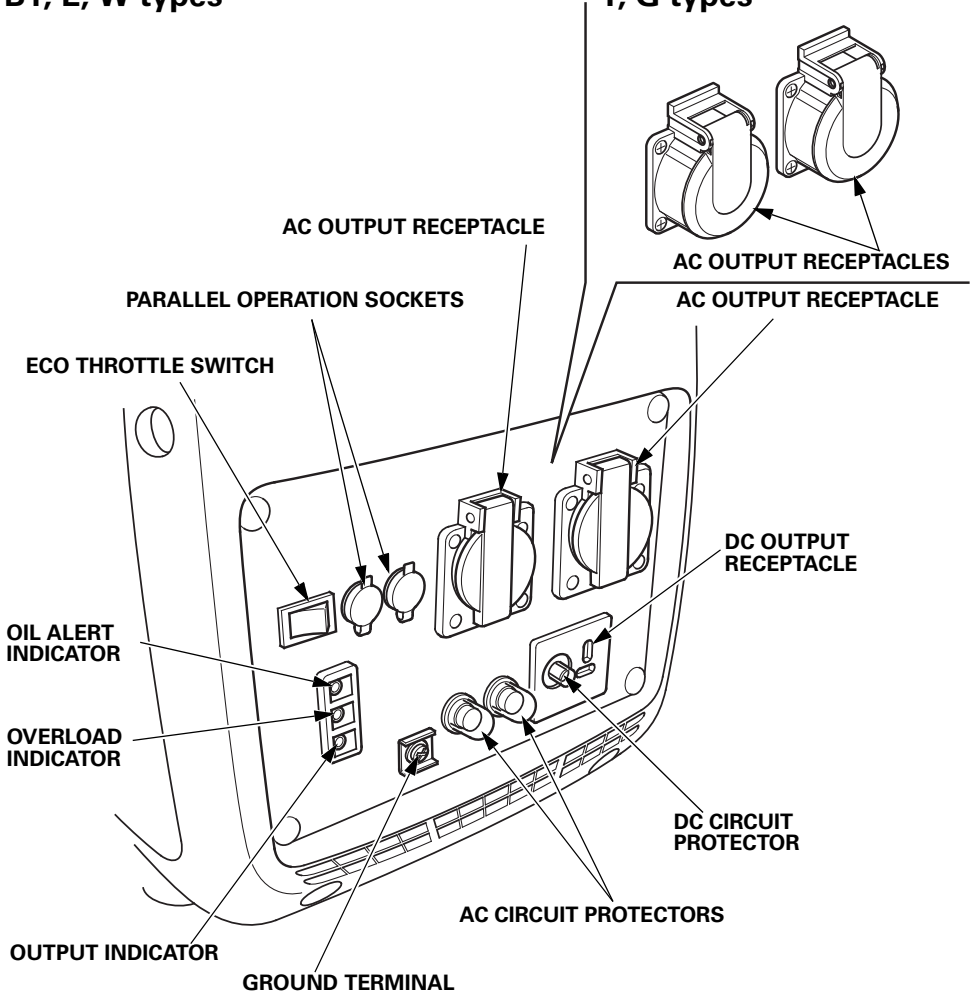
Record the frame serial number in the space below. You will need this serial number when ordering parts.

Frame serial number: _____

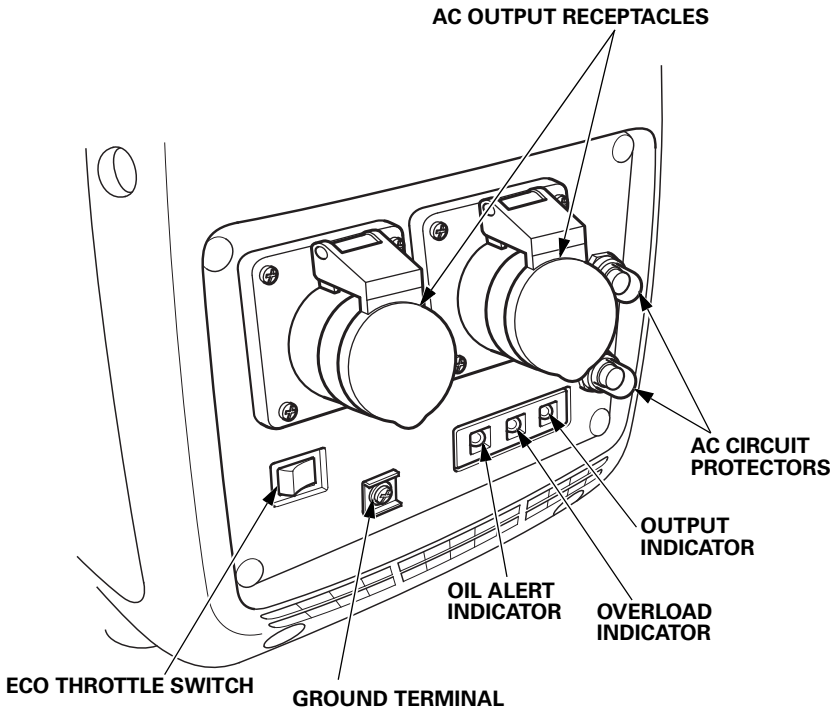
CONTROL PANEL

B1, E, W types

F, G types



B type



Eco Throttle

ECO:

Engine speed is kept at idle automatically when the electrical appliance is disconnected and it returns to the proper speed by the electrical load when electrical appliance is connected. This position is recommended to minimize the fuel consumption while in operation.

NOTE:

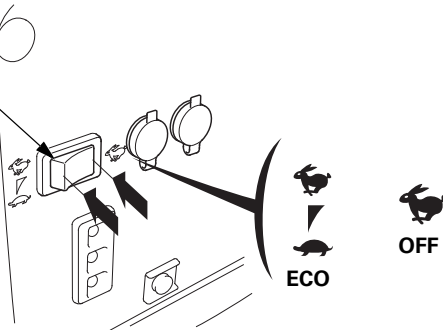
- Eco Throttle system does not operate sufficiently if the electrical appliance requires the momentary electric power.
- When high electrical load appliances is connected simultaneously, turn the Eco Throttle switch to the OFF position to reduce voltage changes.
- In DC operation, turn the eco throttle switch to the OFF position.

OFF:

Eco Throttle system does not operate. Engine speed is kept in the range on the Engine speed (with eco throttle off) in the "SPECIFICATION" page.

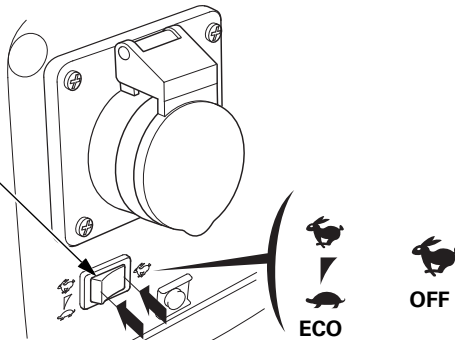
B1, E, F, G, W types

ECO THROTTLE SWITCH



B type

ECO THROTTLE SWITCH



4. PRE-OPERATION CHECK

CAUTION:

Be sure to check the generator on a level surface with the engine stopped.

Before each use, look around and underneath the engine for signs of oil or gasoline leaks.

1. Check the engine oil level.

CAUTION:

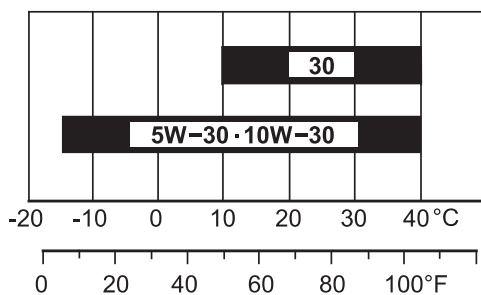
Using non detergent oil or 2-stroke engine oil could shorten the engine's service life.

Recommended oil

Use 4-stroke motor oil that meets or exceeds the requirements for API service category SE or later (or equivalent). Always check the API service label on the oil container to be sure it includes the letters SE or later (or equivalent).

Lubrication oil specifications necessary to maintain the performance of the emissions control system: Honda genuine oil.

Read the instruction on the oil container before use.



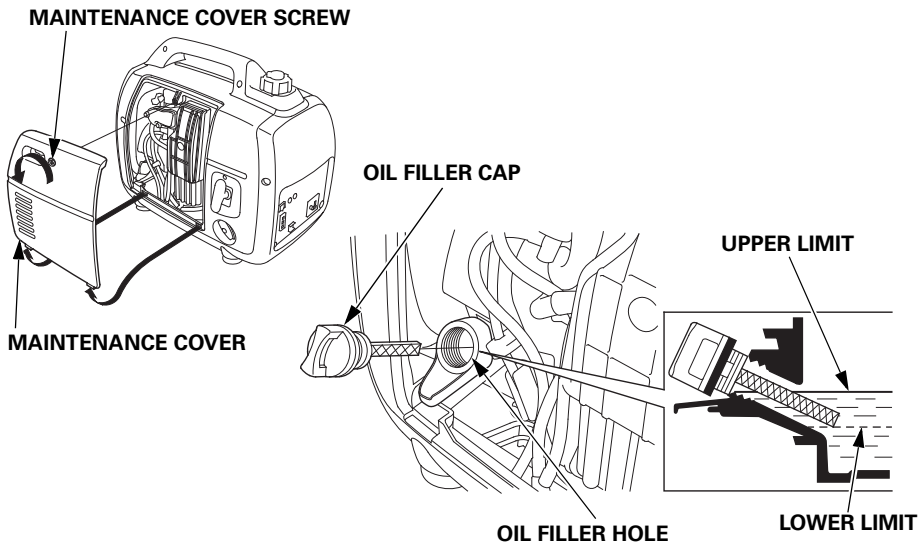
AMBIENT TEMPERATURE

SAE 10W-30 is recommended for general use. Other viscosities shown in the chart may be used when the average temperature in your area is within the recommended range.

1. Loosen the maintenance cover screw and remove the maintenance cover (see page 43).
2. Remove the oil filler cap and wipe the dipstick clean.
3. Check the oil level by inserting the dipstick into the oil filler neck without screwing it in.
4. If the level is low, fill to the upper limit of the oil filler neck with the recommended oil (see page 15).
5. Reinstall the oil filler cap securely.

CAUTION:

Running the engine with insufficient oil can cause serious engine damage.



NOTE:

The Oil Alert system will automatically stop the engine before the oil level falls below the safe limit. However, to avoid the inconvenience of an unexpected shutdown, it is still advisable to visually inspect the oil level regularly.

2. Check the fuel level.

If the fuel level is low, refuel the fuel tank until the level as specified. After refueling, tighten the fuel filler cap securely.

Use automotive unleaded gasoline with a Research Octane Number of 91 or higher (a Pump Octane Number of 86 or higher).

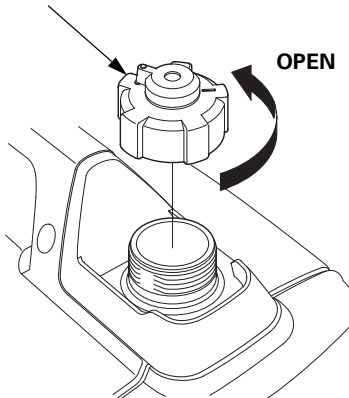
Fuel specification(s) necessary to maintain the performance of the emissions control system: E10 fuel referenced in EU regulation.

Never use gasoline that is stale, contaminated, or mixed with oil. Avoid getting dirt or water in the fuel tank.

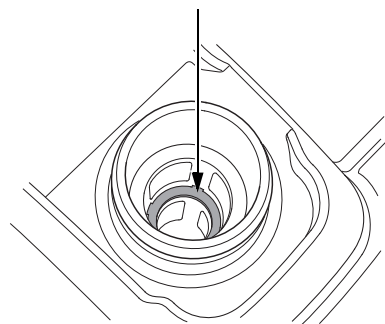
▲WARNING

- **Gasoline is extremely flammable and is explosive under certain conditions.**
- **Refuel in a well ventilated area with the engine stopped. Do not smoke or allow flames or sparks in the area where the engine is refueled or where gasoline is stored.**
- **Do not overfill the fuel tank (there should be no fuel above the upper limit mark). After refueling, make sure the fuel filler cap is closed properly and securely.**
- **Be careful not to spill fuel when refueling. Spilled fuel or fuel vapor may ignite. If any fuel is spilled, make sure the area is dry before starting the engine.**
- **Avoid repeated or prolonged contact with skin or breathing of vapor. KEEP OUT OF REACH OF CHILDREN.**

FUEL FILLER CAP



UPPER LIMIT MARK



NOTE:

Gasoline spoils very quickly depending on factors such as light exposure, temperature and time.

In worst cases, gasoline can be contaminated within 30 days. Using contaminated gasoline can seriously damage the engine (carburetor clogged, valve stuck).

Such damage due to spoiled fuel is disallowed from coverage by the warranty.

To avoid this please strictly follow these recommendations:

- Only use specified gasoline (see page 17).
- Use fresh and clean gasoline.
- To slow deterioration, keep gasoline in a certified fuel container.
- If long storage (more than 30 days) is foreseen, drain fuel tank and carburetor (see page 48).

Gasolines Containing Alcohol

If you decide to use a gasoline containing alcohol (gasohol), be sure its octane rating is at least as high as that recommended by Honda.

There are two types of "gasohol": one containing ethanol, and the other containing methanol.

Do not use gasohol that contains more than 10% ethanol.

Do not use gasoline containing more than 5% methanol (methyl or wood alcohol) and that does not also contain co-solvents and corrosion inhibitors for methanol.

NOTE:

- Fuel system damage or engine performance problems resulting from the use of gasoline that contains more alcohol than recommended is not covered under the warranty.
- Before buying gasoline from an unfamiliar station, first determine if the gasoline contains alcohol, if it does, find out the type and percentage of alcohol used.

If you notice any undesirable operating symptoms while using a particular gasoline. Switch to a gasoline that you know contains less than the recommended amount of alcohol.

3. Check the air cleaner.

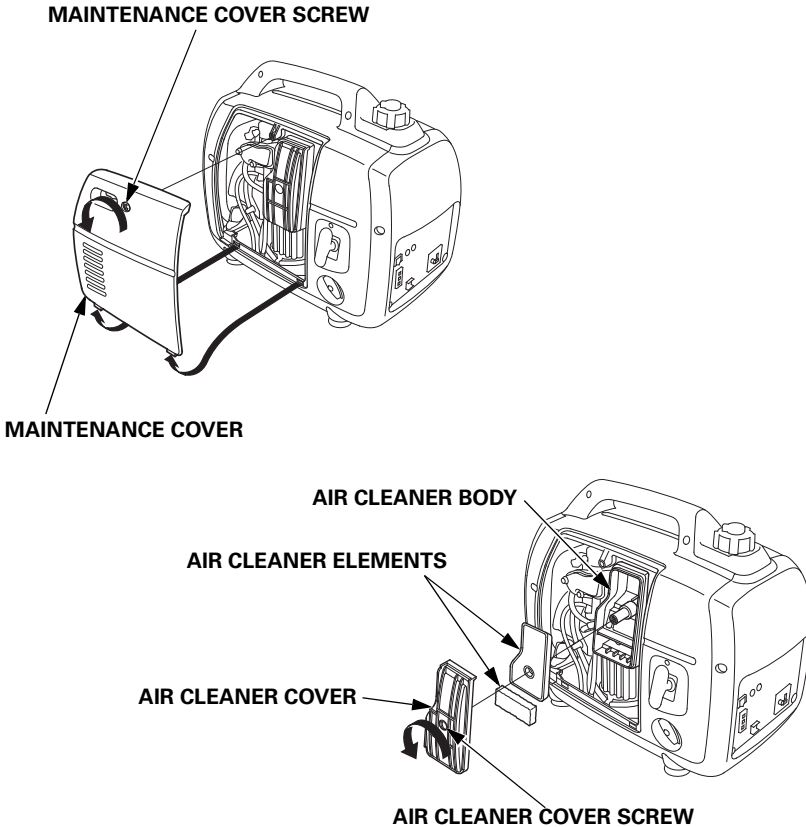
Check the air cleaner elements to be sure they are clean and in good condition.

Loosen the maintenance cover screw and remove the maintenance cover. Loosen the air cleaner cover screw, and remove the air cleaner cover, check the elements.

Clean or replace the elements if necessary (see page 44).

CAUTION:

Never run the engine without the air cleaner elements. Rapid engine wear will result from contaminants, such as dust and dirt, being drawn through the carburetor, into the engine.



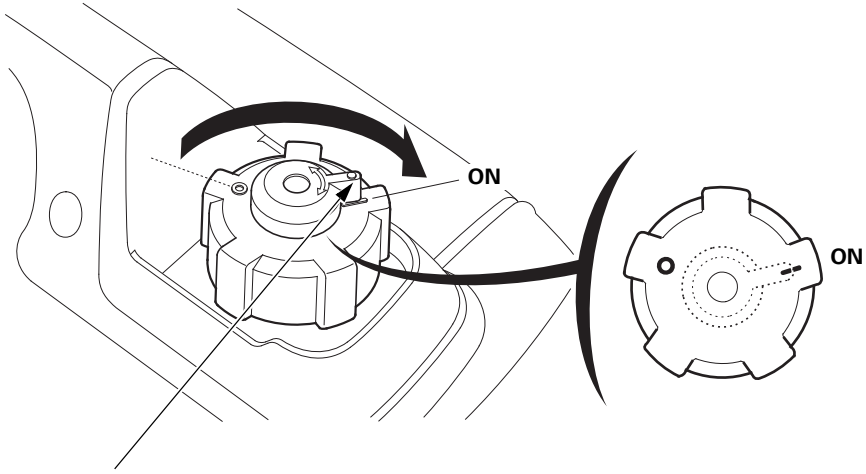
5. STARTING THE ENGINE

Before starting the engine disconnect any load from the AC receptacle.

1. Turn the fuel filler cap vent lever fully clockwise to the ON position.

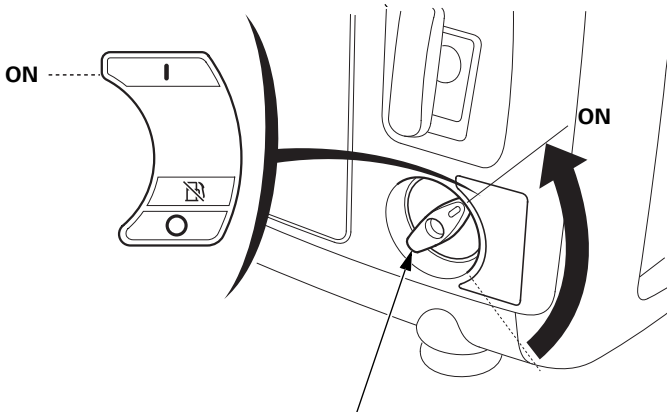
NOTE:

Turn the fuel filler cap vent lever to the OFF position when transporting the generator.



FUEL FILLER CAP VENT LEVER

2. Turn the engine switch to the ON position.

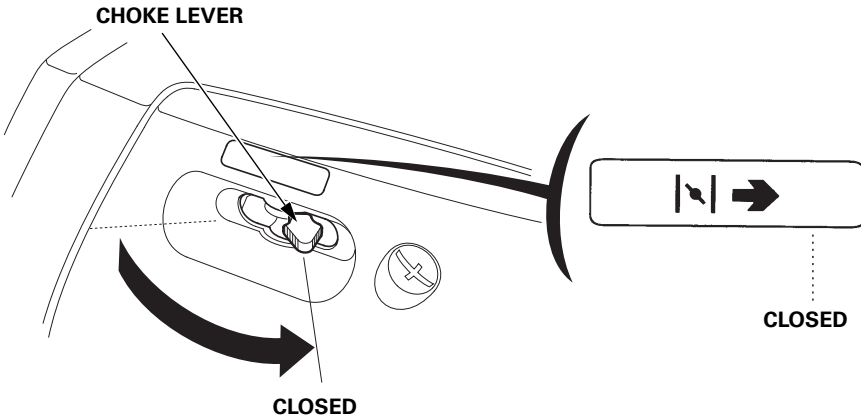


ENGINE SWITCH

3. Move the choke lever to the CLOSED position.

NOTE:

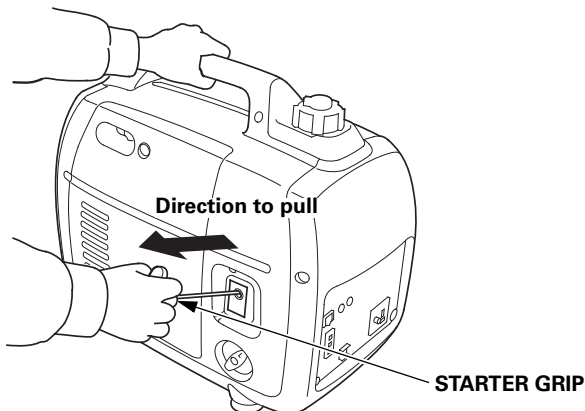
Do not use the choke when the engine is warm or the air temperature is high.



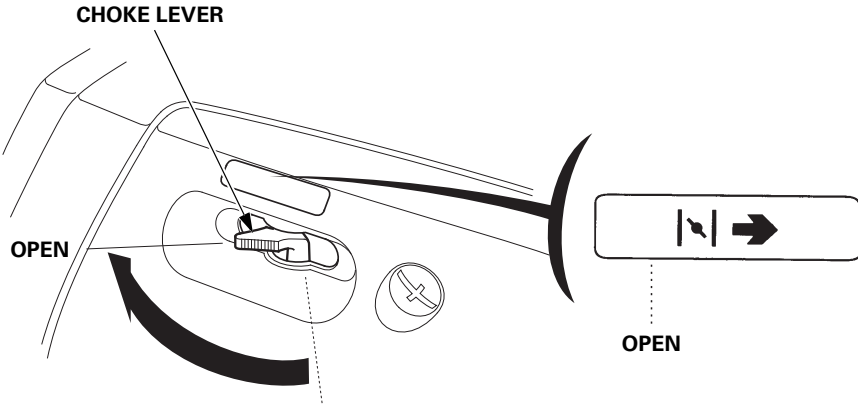
4. Pull the starter grip lightly until you feel resistance, then pull the starter grip briskly toward in the direction of the arrow as shown below.

CAUTION:

- The starter grip can be drawn back very quickly before you release it. This may pull your hand forcefully toward the engine and cause an injury.
- Do not allow the starter grip to snap back. Return it slowly by hand.



5. Move the choke lever to the OPEN position as the engine warms up.



NOTE:

If the engine stops and will not restart, check the engine oil level (see page 16) before troubleshooting in other areas.

- **Carburetor Modification for High Altitude Operation**

At high altitude, the standard carburetor air-fuel mixture will be too rich. Performance will decrease, and fuel consumption will increase. A very rich mixture will also foul the spark plug and cause hard starting. Operation at an altitude that differs from that at which this engine was certified, for extended periods of time, may increase emissions.

High altitude performance can be improved by specific modifications to the carburetor. If you always operate your generator at altitudes above 1,500 meters (5,000 feet), have your servicing dealer perform this carburetor modification. This engine, when operated at high altitude with the carburetor modifications for high altitude use, will meet each emission standard throughout its useful life.

Even with carburetor modification, engine horsepower will decrease about 3.5% for each 300-meter (1,000-foot) increase in altitude. The effect of altitude on horsepower will be greater than this if no carburetor modification is made.

CAUTION:

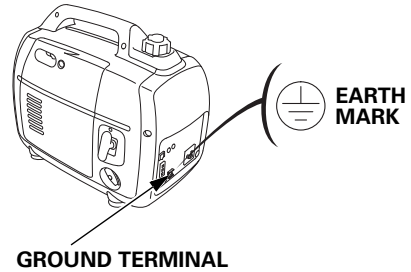
Operation of the generator at an altitude lower than the carburetor is jetted for may result in reduced performance, overheating, and serious engine damage caused by an excessively lean air/fuel mixture.

6. GENERATOR USE

The generator produces enough electric power to cause a serious shock or electrocution if misused.

Be sure to ground the generator when the connected appliance is grounded.

To ground the terminal of the generator, use a copper wire with same or larger diameter than the cord of the connected appliance.

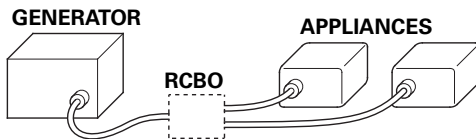


Use extension cord set with ground conductor when connecting an appliance with ground conductor.

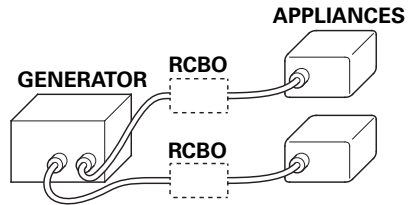
To identify the Ground pin in the plug, see RECEPTACLE page 57.

Connect a RCBO (Residual current circuit breaker with overload protection) of 30 mA ground fault detection and cut-off of less than 0.4 seconds at more than 30 A of output current, if you are using two or more appliance.

Follow the instructions provided by each RCBO manufacturer before use.



Connecting with one RCBO



Connecting with two RCBO

⚠ WARNING

Improper connections to a building's electrical system can allow current from the generator to backfeed into the utility lines. Such backfeed may electrocute utility company workers or others who contact the lines during a power outage, and the generator may explode, burn, or cause fires when utility power is restored. Consult the utility company or a qualified electrician prior to making any power connections.

CAUTION:

- Do not exceed the current limit specified for any one receptacle.
- Do not modify or use the generator for other purposes than it is intended for. Also observe the following when using the generator.
- Do not connect an extension to the exhaust pipe.
- When an extension cable is required, be sure to use a tough rubber sheathed flexible cable (IEC 245 or equivalent).

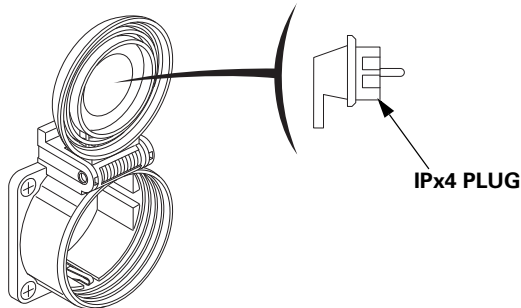
When using an extension cable the resistance value shall not exceed 1.5 Ω .

- Limit length of extension cables; 60 m (200 feet) for cables of 1.5 mm² (0.0023 in²) and 100 m (330 feet) for cables of 2.5 mm² (0.0039 in²). Long extension cables will lower usable power due to resistance in the extension cable.
- Keep the generator away from other electric cables or wires such as commercial power supply lines.

▲WARNING

G Type

When connecting an angled plug, be sure to use only a IPx4 plug.



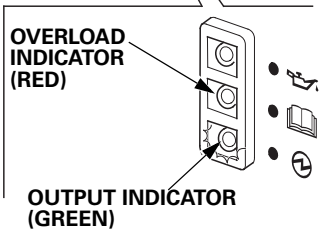
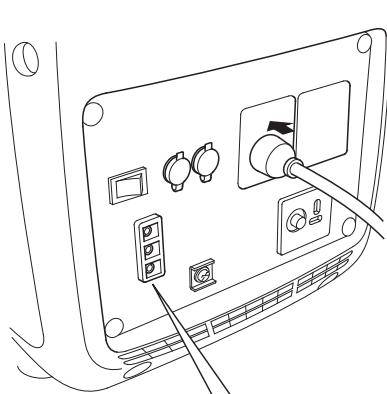
NOTE:

- Most appliance motors require more than their rated wattage for startup. Make sure the electrical rating of the tool or appliance does not exceed the maximum power rating of the generator.
Maximum power is: 2.2 kVA
- For continuous operation, do not exceed the rated power.
Rated power is: 1.8 kVA
- In either case, the total power requirements (VA) of all appliances connected must be considered.
- Substantial overloading will switch OFF the AC circuit protector. Slightly overloading the generator may not switch the AC circuit protector OFF, but will shorten the service life of the generator.
- The DC receptacle can be used while the AC power is in use (Except B type).
If you use both at the same time, do not exceed the maximum AC power.
Maximum AC power: 1.7 kVA

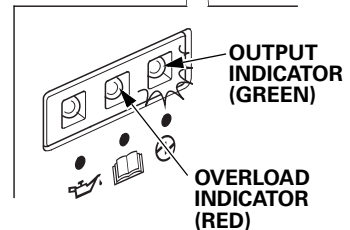
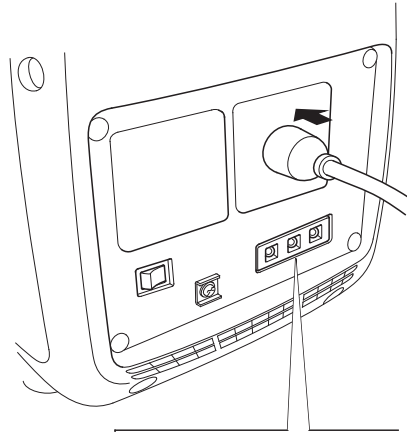
AC applications

1. Start the engine and make sure the Output indicator (green) comes ON.
2. Confirm that the appliance to be used is switched off, and plug in the appliance.

B1, E, F, G, W types



B type



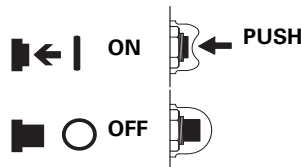
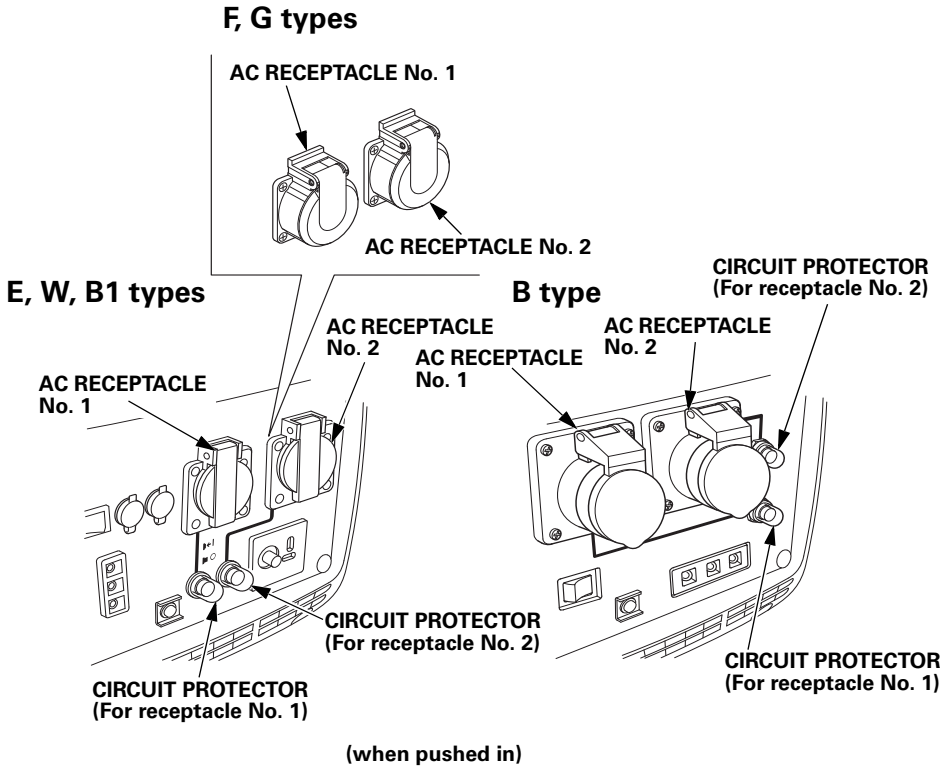
CAUTION:

- Substantial overloading that continuously lights the Overload indicator (red) may damage the generator. Marginal overloading that temporarily lights the Overload indicator (red) may shorten the service life of the generator.
- Be sure that all appliances are in good working order before connecting them to the generator. Electrical equipment (including lines and plug connections) should not be defective. If an appliance begins to operate abnormally, becomes sluggish, or stops suddenly, turn off the generator engine switch immediately. Then disconnect the appliance, and examine it for signs of malfunction.

AC Circuit Protector

The AC circuit protectors will automatically switch OFF (push button comes out) if there is a short circuit or a significant overload of the generator at receptacle.

If an AC circuit protector switches OFF automatically, check that the appliance is working properly and does not exceed the rated load capacity of the circuit before resetting the AC circuit protector ON by pushing the push button in.



Output and Overload Indicators

The Output indicator (green) will remain ON during normal operating conditions.

In addition, the Output indicator has a simplified hour meter function. When you start the engine, the indicator blinks according to the generator's cumulative operating hours as follows:

- No blinks: 0–100 hours
- 1 blink: 100–200 hours
- 2 blinks: 200–300 hours
- 3 blinks: 300–400 hours
- 4 blinks: 400–500 hours
- 5 blinks: 500 or more hours

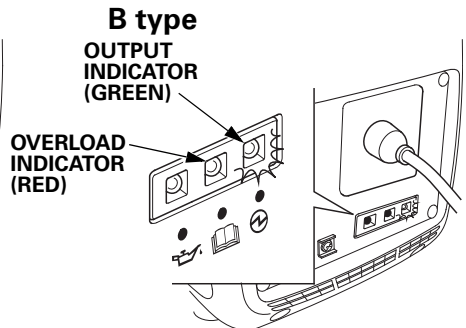
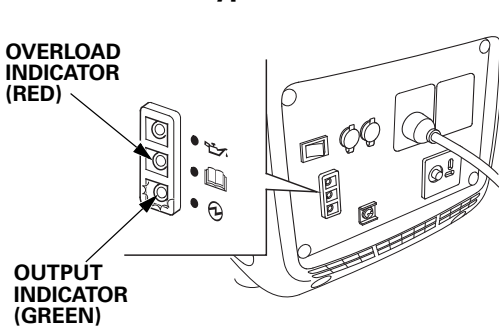
If the generator is overloaded (see page 26), or if there is a short in the connected appliance, the Output indicator (green) will go OFF, the Overload indicator (red) will come ON and current to the connected appliance will be shut off.

Stop the engine if the Overload indicator (red) comes ON and investigate the overload source.

- Before connecting an appliance to the generator, check that it is in good order, and that its electrical rating does not exceed that of the generator. Then connect the power cord of the appliance, and start the engine.

If the overload indicator blink continuously, it suggests an abnormal of inverter unit (see page 51).

B1, E, F, G, W types



NOTE:

When an electric motor is started, both the Overload indicator (red) and the Output indicator (green) may come ON simultaneously. This is normal if the Overload indicator (red) goes OFF after about 4 seconds. If the Overload indicator (red) stays ON, consult your generator dealer.

Parallel operation (Except B type)

Please read the item "GENERATOR USE" before connecting any equipment to be used.

Use only a Honda approved receptacle box for parallel operation (optional) when connecting two EU22i generators for parallel operation.

Most appliance motors require more than their rated wattage for startup. Make sure the electrical rating of the tool or appliance does not exceed the maximum power rating of the generator.

Maximum power in parallel operation is:

EU22i and EU22i	4.4 kVA
EU22i and EU20i	4.2 kVA

For continuous operation, do not exceed the rated power.

Rated power in parallel operation is:

EU22i and EU22i	3.6 kVA
EU22i and EU20i	3.4 kVA

In either case, the total power requirements (VA) of all appliances connected must be considered.

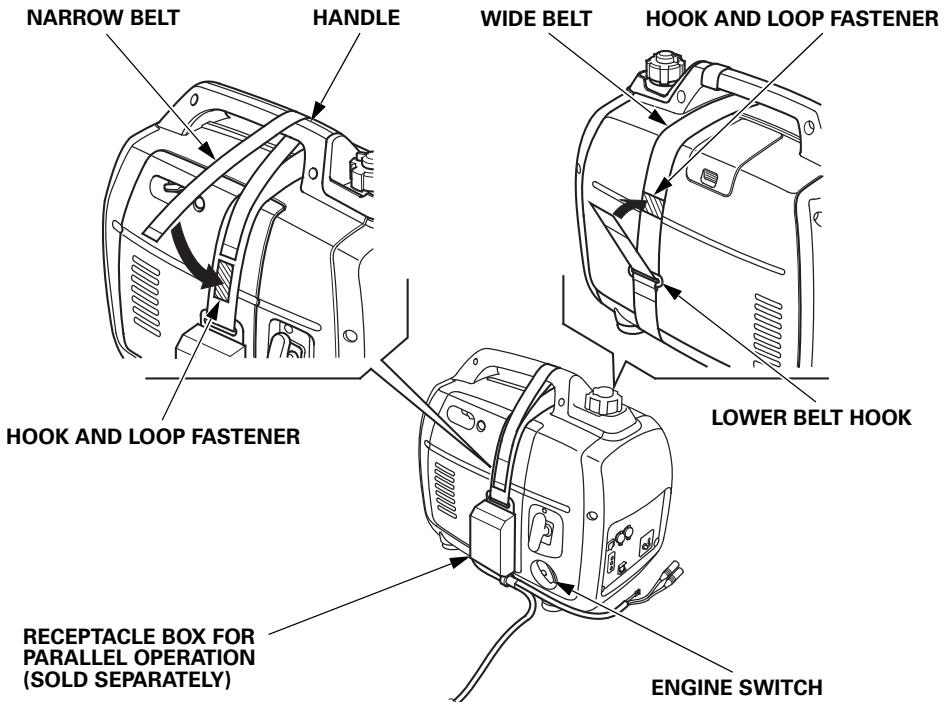
CAUTION:

Substantial overloading that continuously lights the Overload indicator (red) may damage the generator. Marginal overloading that temporarily lights the Overload indicator (red) may shorten the service life of the generator.

▲ WARNING

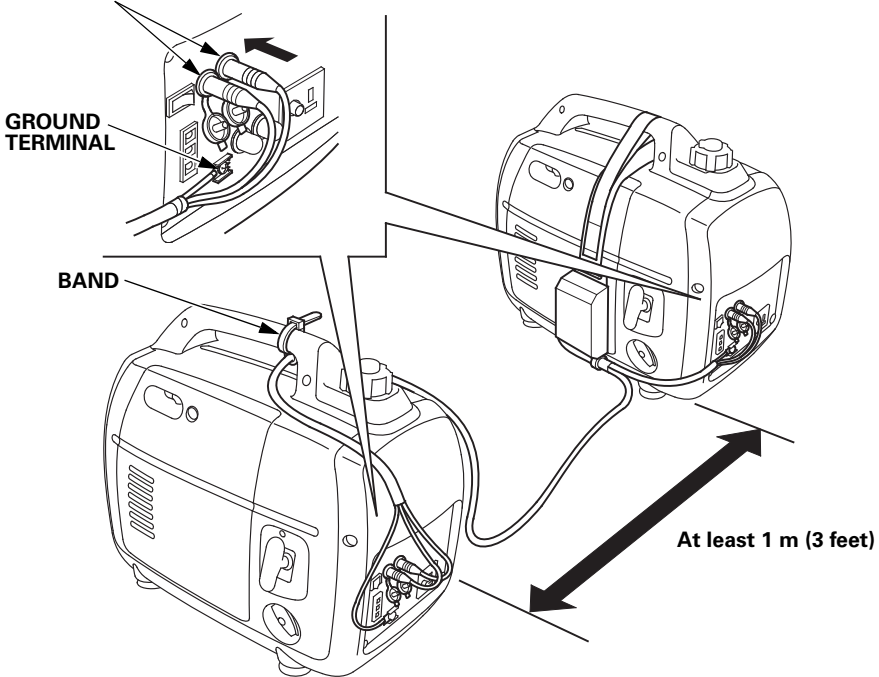
- Never connect other than the specified generator models (see page 4).
- Never connect a cable other than the receptacle box for parallel operation.
- Connect and remove the receptacle box for parallel operation with the engine stopped.
- For single operation, the receptacle box for parallel operation must be removed.

1. Install the receptacle box for parallel operation on to the one generator and secure it with setting band as shown.
 - Set the belt on the front side of the handle.
 - Secure the narrow belt to the handle with the hook and loop fastener.
 - Pass the upper wide belt through the lower belt hook and secure with the hook and loop fastener.
 - Route the receptacle box wires under the engine switch.
 - Install the belts so they are not slack.



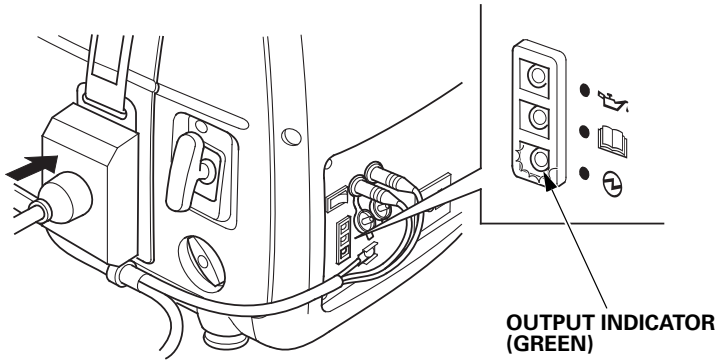
-
2. Connect the cable connectors and ground terminals of the receptacle box for parallel operation to the generators and secure the cord clamp to handle.
- Place two generators at least 1 meter (3 feet) away from each other during parallel operation.
 - Route the wire through the handle and clamp it to the handle using the band.
 - Take care not to slacken the wire toward the starter grip side.
 - Connect the longer wire to the generator on which the receptacle box for parallel operation is not installed.
 - Do not set the generators with the exhaust side face to face each other.

CABLE CONNECTORS



3. Connect the ground terminal of one generator to the ground.
- When an appliance is connected to the ground, connect the generator to the ground as well.

4. Start the engines and make sure the Output indicators (green) come ON.
5. Confirm that the appliance to be used is switched off, and plug in the appliance.
6. Switch on the equipment to be used.



Parallel operation with EU20i

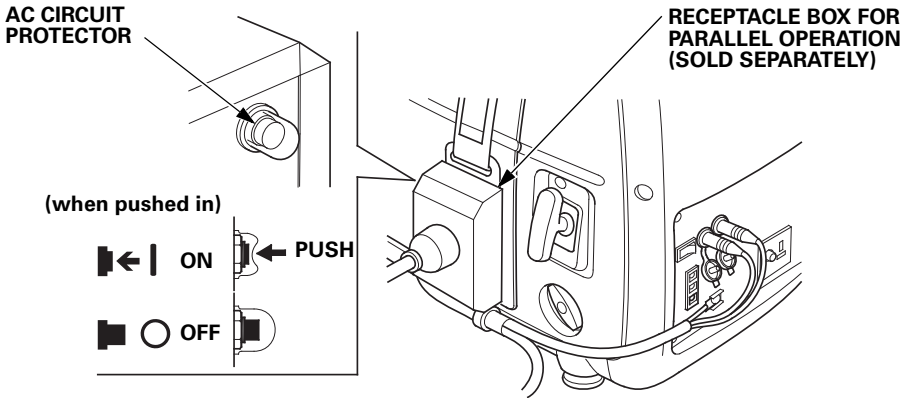
For instructions on how to connect the parallel operation cable, refer to pages 30 through 33.

An EU22i generator may only be connected to EU20i generator that have specific frame serial numbers. Refer to the table below to confirm that your EU20i generator is compatible with an EU22i.

Model	Frame Serial Number Range
EU20i	EAAJ-2032188 and later
	EACT-1000001 and later

AC Circuit Protector (Except B type)

The AC circuit protector on the receptacle box for parallel operation will automatically switch OFF (push button comes out) if there is a short circuit or a significant overload of the generator at receptacle. If an AC circuit protector switches OFF automatically, check that the appliance is working properly and does not exceed the rated load capacity (16 A) of the circuit before resetting the AC circuit protector ON by pushing the push button in.



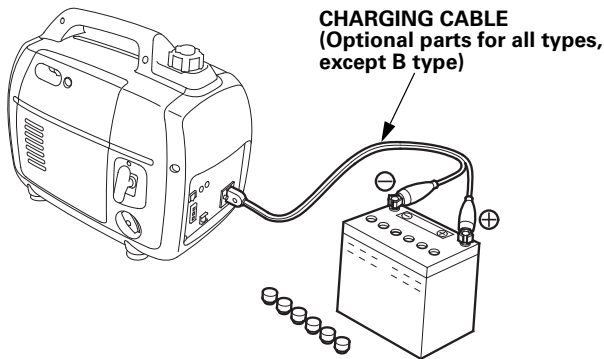
DC application (Except B type)

The DC receptacle may be used for charging 12 volt automotive-type batteries only.

NOTE:

In DC operation, turn the Eco Throttle switch to the OFF position.

1. Connect the charging cable to the DC receptacle of the generator and then to the battery terminals.



▲WARNING

- To prevent the possibility of creating a spark near the battery, connect charging cable first to the generator, then to the battery. Disconnect cable first at the battery.
- Before connecting charging cable to a battery that is installed in a vehicle, disconnect the vehicle's battery cable. Reconnect the vehicle's battery cable after the charging cables are removed. This procedure will prevent the possibility of a short circuit and sparks if you make accidental contact between a battery terminal and the vehicle's frame or body.

CAUTION:

- Do not attempt to start an automobile engine with the generator still connected to the battery. The generator may be damaged.
- Connect the positive battery terminal to the positive charging cord. Do not reverse the charging cables, or serious damage to the generator and/or battery may occur.

▲WARNING

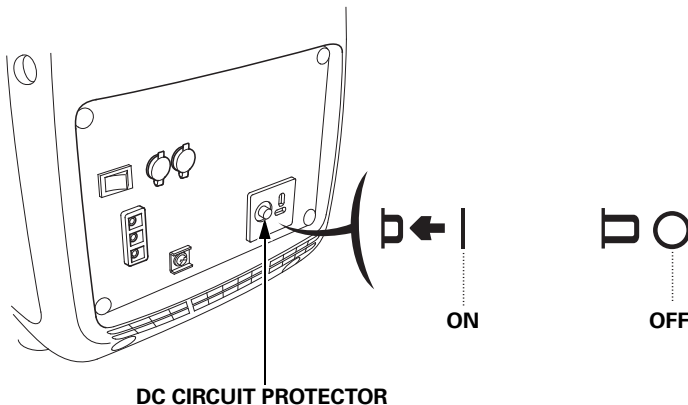
- **Batteries produce explosive gases:** If ignited, and explosion can cause serious injury or blindness. Provide adequate ventilation when charging.
- **CHEMICAL HAZARD:** Battery electrolyte contains sulfuric acid. Contact with eyes or skin, even through clothing, may cause severe burns. Wear a face shield and protective clothing.
- **Keep flames and sparks away, and do not smoke in the area.**
ANTIDOTE: If electrolyte gets into your eyes, flush thoroughly with warm water for at least 15 minutes and call a physician immediately.
- **POISON:** Electrolyte is poison.
ANTIDOTE
 - **External:** Flush thoroughly with water.
 - **Internal:** Drink large quantities of water or milk.
Follow with milk of magnesia or vegetable oil, and call a physician immediately.
- **KEEP OUT OF REACH OF CHILDREN.**

2. Start the engine.

NOTE:

- The DC receptacle can be used while the AC power is in use.
- An overload DC circuit will trip the DC circuit protector (push button comes out).

If this happens, wait a few minutes before pushing in the circuit protector to resume operation.

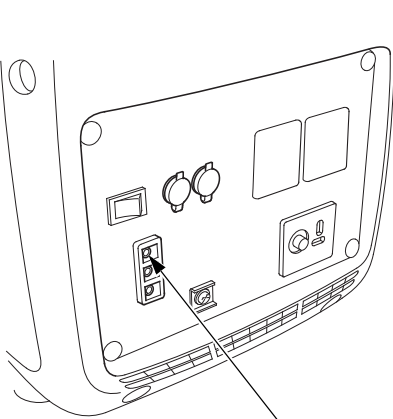


Oil Alert system

The Oil Alert system is designed to prevent engine damage caused by an insufficient amount of oil in the crankcase. Before the oil level in the crankcase falls below a safe limit, the Oil Alert system will automatically shut down the engine (the engine switch will remain in the ON position).

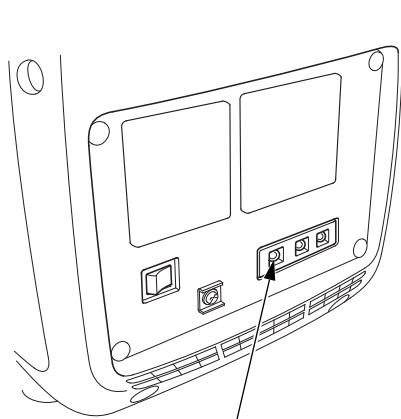
If the Oil Alert system shuts down the engine, the Oil Alert indicator (red) will come ON when you operate the starter, and the engine will not run. If this occurs, check the engine oil level (see page 16).

B1, E, F, G, W types



OIL ALERT INDICATOR (RED)

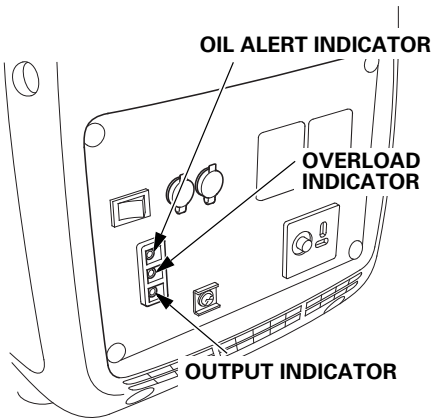
B type



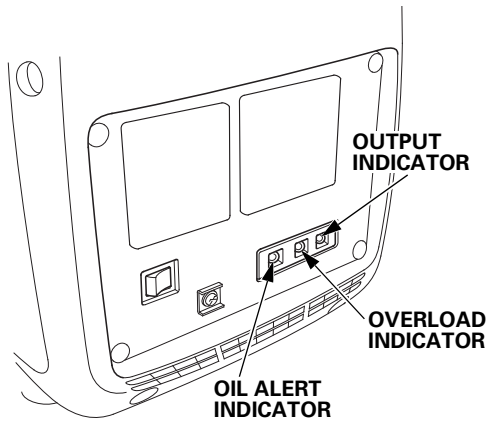
OIL ALERT INDICATOR (RED)

LED Light Patterns

B1, E, F, G, W types



B type



Status	Possible cause	Output Indicator	Overload Indicator	Oil Alert Indicator
Normal	Operating normally	○	●	●
Malfunction	Inverter unit failure	●	☼	●
Abnormal	Output overcurrent	●	○	●
	Inverter unit overheat	●	○	●
Warning	Engine oil low	●	●	○

○ : ON

● : OFF

☼ : Blinking

Refer to *TROUBLESHOOTING* on page 51 for failure diagnosis.

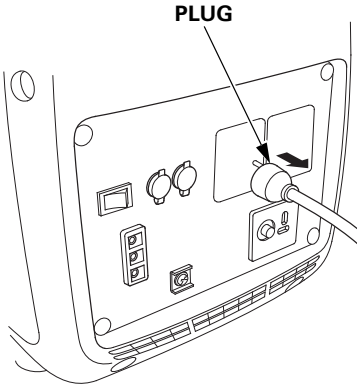
7. STOPPING THE ENGINE

To stop the engine in an emergency, turn the engine switch to the OFF position securely.

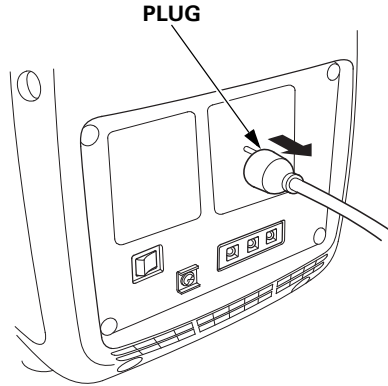
IN NORMAL USE:

1. Switch off the connected equipment and pull the inserted plug.

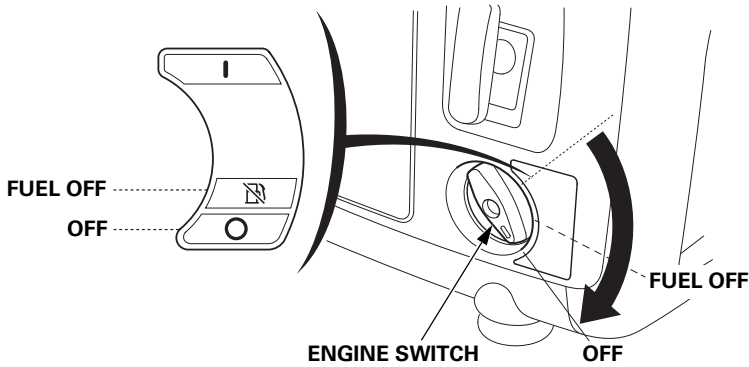
B1, E, F, G, W types



B type



2. Turn the engine switch to the OFF position securely.

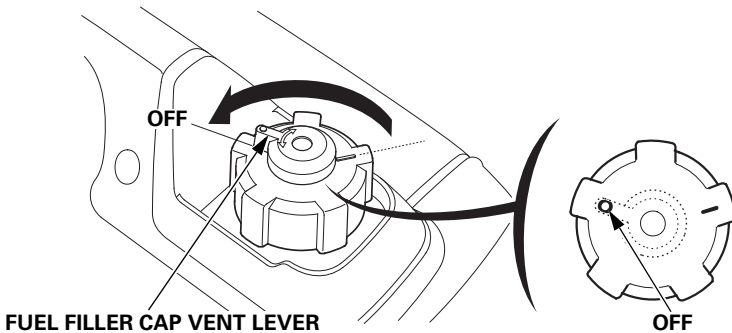


NOTE:

Operating the generator in the FUEL OFF position before turning the engine switch to the OFF position can reduce the fuel in the carburetor.

- When using the FUEL OFF position, the generator will continue to run for several minutes until the fuel in the carburetor has been consumed, and then the engine will stop.
- Turn the engine switch to the OFF position after the engine stops.
- After stopping the engine using the FUEL OFF position, restarting the engine will require additional pulls on the recoil starter.

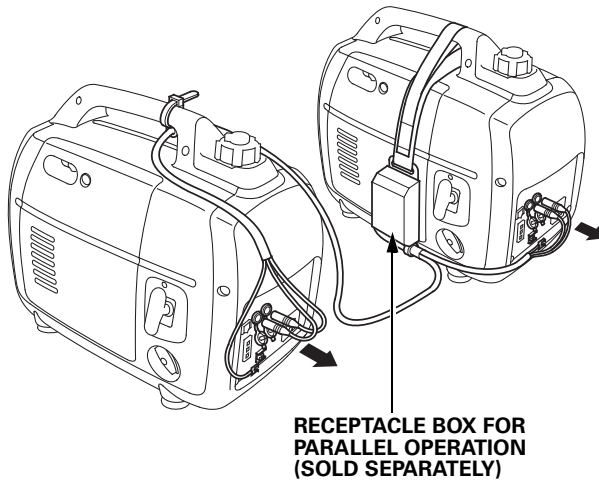
3. Turn the fuel filler cap vent lever fully counterclockwise to the OFF position.



CAUTION:

Be sure the fuel filler cap vent lever and the engine switch are in the OFF position when stopping, transporting and/or storing the generator.

4. If two generators were connected for parallel operation, disconnect the parallel operation cable after stopping the engines (Except B type).



NOTE:

If the generator will not be used for a long period of time, refer to page 48 for information on *Before storing the unit for an extended period.*

8. MAINTENANCE

The purpose of the maintenance and adjustment schedule is to keep the generator in the best operating condition. Inspect or service as scheduled in the table below.

▲WARNING

Make sure the engine is off before you begin any maintenance or repairs. This will eliminate several potential hazards:

- **Carbon monoxide poisoning from engine exhaust. Be sure there is adequate ventilation whenever you operate the engine.**
- **Burns from hot parts. Let the engine and exhaust system cool before touching.**
- **Injury from moving parts. Do not run the engine unless instructed to do so.**

The muffler becomes very hot during operation and remains hot for a while after stopping the engine. Be careful not to touch the muffler while it is hot. Let the engine cool before maintenance.

CAUTION:

Use Honda Genuine parts or their equivalent. The use of replacement parts which are not of equivalent quality may damage the generator.

Maintenance Schedule

ITEM	REGULAR SERVICE PERIOD (1) Perform at every indicated month or operating hour interval, whichever comes first.						page
	Each use	First month or 20 hrs.	Every 3 months or 50 hrs.	Every 6 months or 100 hrs.	Every years or 200 hrs.		
Engine oil	Check level	o					15
	Change		o		o		43
Air cleaner	Check	o					19
	Clean			o (2)			44
Spark plug	Check-adjust				o		45
	Replace					o	
Valve clearance	Check-adjust					o (3)	-
Combustion chamber	Clean	After every 300 hrs. (3)					-
Fuel tank & filter	Clean				o (3)		-
Fuel tube	Check	Every 2 years (Replace if necessary) (3)					-

NOTE: (1) For commercial use, log hours of operation to determine proper maintenance intervals.

(2) Service more frequently when used in dusty areas.

(3) These items should be serviced by your servicing dealer, unless you have the proper tools and are mechanically proficient. Refer to the Honda shop manual for service procedures.

1. CHANGING OIL

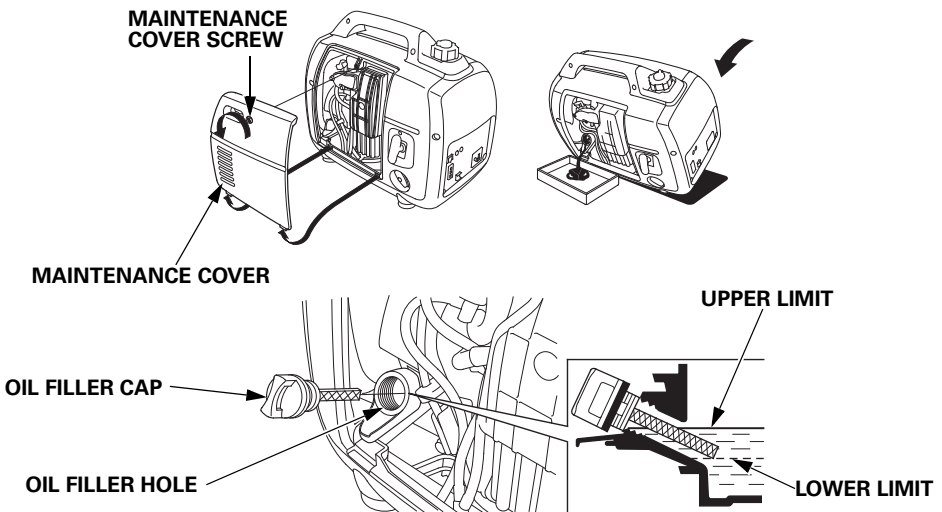
Drain the oil while the engine is still warm to assure rapid and complete draining.

CAUTION:

Make sure to turn the engine switch and the fuel filler cap vent lever to the OFF position before draining.

1. Loosen the maintenance cover screw and remove the maintenance cover.
2. Remove the oil filler cap.
3. Drain dirty oil into a suitable container thoroughly.
4. Refill with the recommended oil (see page 15) and check the oil level.
5. Wipe off all the spilled oil from the generator.
6. Reinstall the oil filler cap.
7. Reinstall the maintenance cover and tighten the maintenance cover screw securely.

ENGINE OIL CAPACITY: 0.44 L (0.46 US qt, 0.39 Imp qt)



Wash your hands with soap and water after handling used oil.

NOTE:

Please dispose of used motor oil in a manner that is compatible with the environment. We suggest you take it in a sealed container to your local service station for reclamation. Do not throw it in the trash or pour it on the ground.

2. AIR CLEANER SERVICE

A dirty air cleaner will restrict air flow to the carburetor. To prevent carburetor malfunction, service the air cleaner regularly. Service more frequently when operating the generator in extremely dusty areas.

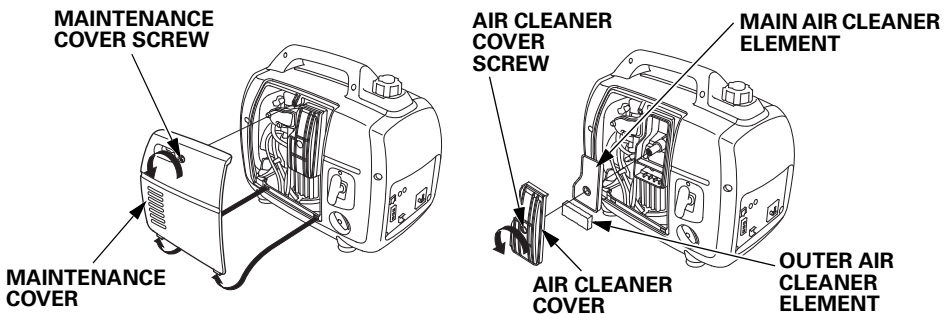
▲WARNING

Do not use gasoline or low flash point solvents for cleaning. They are flammable and explosive under certain conditions.

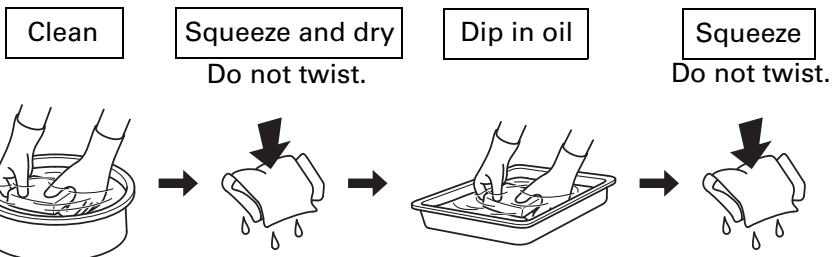
CAUTION:

Never run the generator without the air cleaner. Rapid engine wear may result.

1. Loosen the maintenance cover screw and remove the maintenance cover.
2. Loosen the air cleaner cover screw, and remove the air cleaner cover.



3. Clean in warm soapy water, rinse and allow to dry thoroughly, or clean in high flash point solvent and allow to dry. Dip the main and outer air cleaner elements in clean engine oil and squeeze out all the excess. The engine will smoke during initial startup if too much oil is left in the foam.



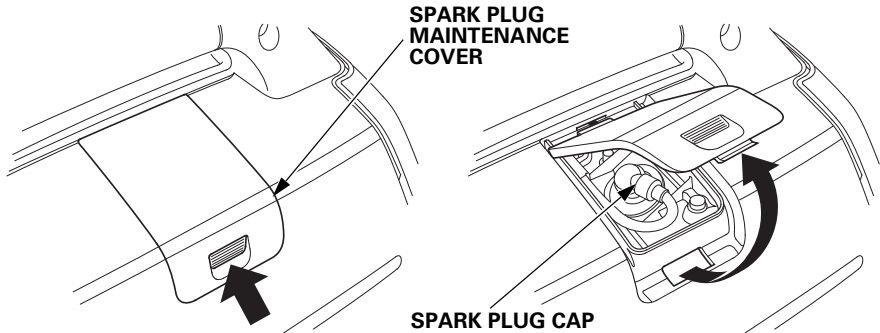
4. Reinstall the main and outer air cleaner elements and the air cleaner cover. Tighten the air cleaner cover screw securely.
5. Reinstall the maintenance cover and tighten the maintenance cover screw securely.

3. SPARK PLUG SERVICE

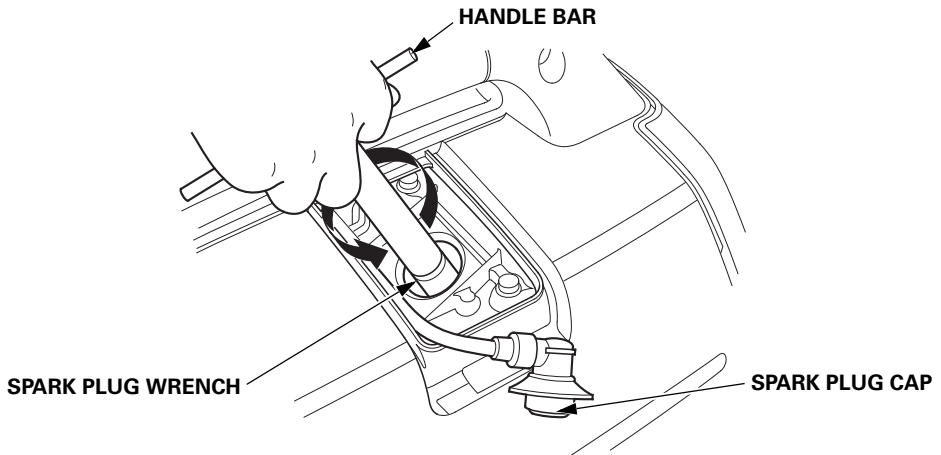
RECOMMENDED SPARK PLUG: CR5HSB (NGK)

To ensure proper engine operation, the spark plug must be properly gapped and free of deposits.

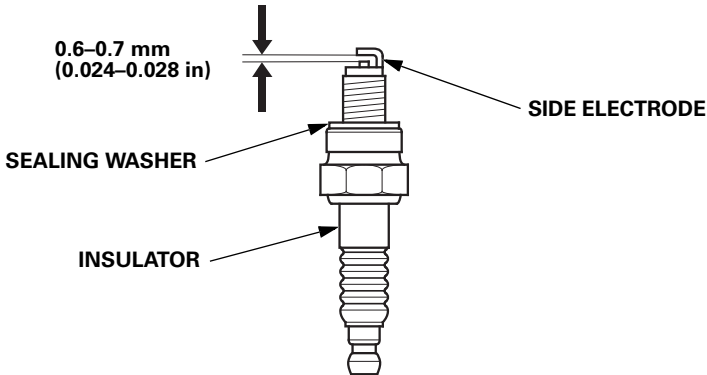
1. Remove the spark plug maintenance cover.



2. Remove the spark plug cap.
3. Clean any dirt from around the spark plug base.
4. Use a spark plug wrench to remove the spark plug.



-
5. Visually inspect the spark plug. Discard it if the insulator is cracked, chipped, or fouled. Clean the spark plug with a wire brush if it is to be reused.
 6. Measure the plug gap with a feeler gauge.
Correct as necessary by carefully bending the side electrode.
The gap should be:
0.6–0.7 mm (0.024–0.028 in)



7. Install the spark plug carefully by hand, to avoid cross-threading.
8. After a new spark plug has been seated by hand, it should be tightened 1/2 turn with a wrench to compress the sealing washer. If a used plug is being reinstalled, it should only require 1/8 to 1/4 turn after being seated.
9. Reinstall the spark plug cap on the spark plug securely.
10. Reinstall the spark plug maintenance cover.

CAUTION:

- **The spark plug must be securely tightened. An improperly tightened plug can become very hot and possibly damage the generator.**
- **Never use a spark plug with an improper heat range.**

9. TRANSPORTING/STORAGE

To prevent fuel spillage when transporting or during temporary storage, the generator should be secured upright in its normal operating position, with the engine switch OFF.

The fuel filler cap vent lever is turned fully counterclockwise to the OFF position.

Allow the engine to cool well before turning the fuel filler cap vent lever to the OFF position.

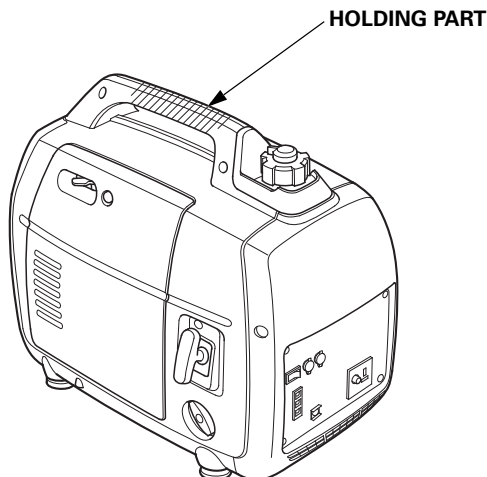
▲WARNING

When transporting the generator:

- **Do not overfill the tank (there should be no fuel in the filler neck).**
- **Do not operate the generator while it is on a vehicle. Take the generator off the vehicle and use it in a well ventilated place.**
- **Avoid a place exposed to direct sunlight when putting the generator on a vehicle. If the generator is left in an enclosed vehicle for many hours, high temperature inside the vehicle could cause fuel to vaporize resulting in a possible explosion.**
- **Do not drive on a rough road for an extended period with the generator on board. If you must transport the generator on a rough road, drain the fuel from the generator beforehand.**

NOTE:

To transport the generator, hold the holding part (shaded areas in the figure below).



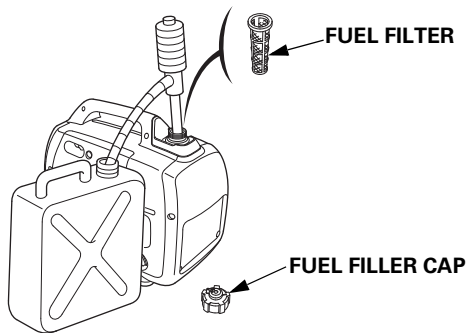
Before storing the unit for an extended period:

1. Be sure the storage area is free of excessive humidity and dust.
2. Drain the fuel.

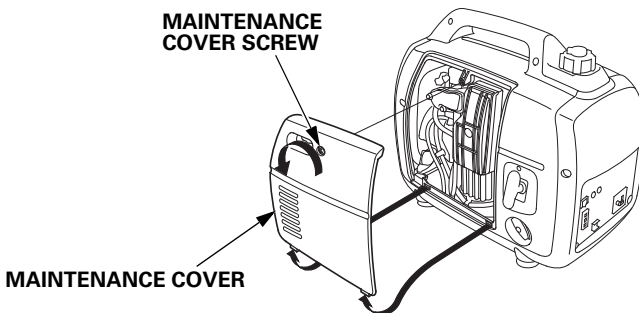
▲WARNING

Gasoline is extremely flammable and is explosive under certain conditions. Perform this task in a well ventilated area with the engine stopped. Do not smoke or allow flames or sparks in the area during this procedure.

- a. Unscrew the fuel filler cap (see page 17), remove the fuel filter, and empty the fuel tank into an approved gasoline container. We recommend using a commercially available gasoline hand pump to empty the tank. Do not use an electric pump. Reinstall the fuel filter and the fuel filler cap.

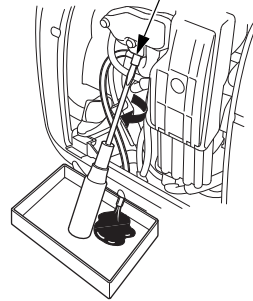


- b. Loosen the maintenance cover screw and remove the maintenance cover (see page 43).

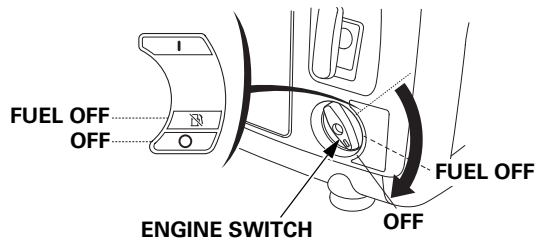


- c. Loosen the carburetor drain screw, and drain the gasoline from the carburetor into a suitable container.

CARBURETOR DRAIN SCREW

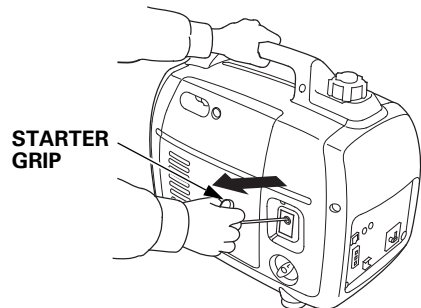


- d. Remove the spark plug maintenance cover and the spark plug cap (see page 45).
e. Turn the engine switch to the ON position (see page 20).
f. Pull the starter grip 3 to 4 times to drain the gasoline from the fuel pump into a suitable container.
g. Turn the engine switch to the OFF position securely.



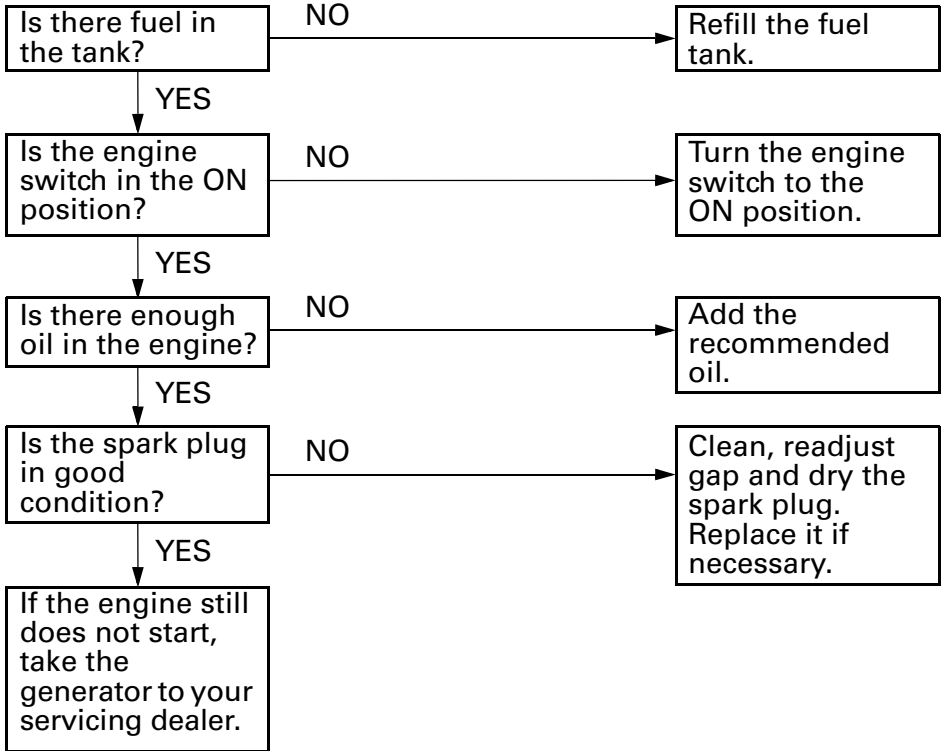
- h. Tighten the carburetor drain screw.

3. Change the engine oil (see page 43).
4. Remove the spark plug and pour about a tablespoon of clean engine oil into the cylinder. Crank the engine several revolutions to distribute the oil, then reinstall the spark plug (see page 45).
5. Slowly pull the starter grip until resistance is felt. At this point, the piston is coming up on its compression stroke and both the intake and exhaust valves are closed. Storing the engine in this position will help to protect it from internal corrosion.

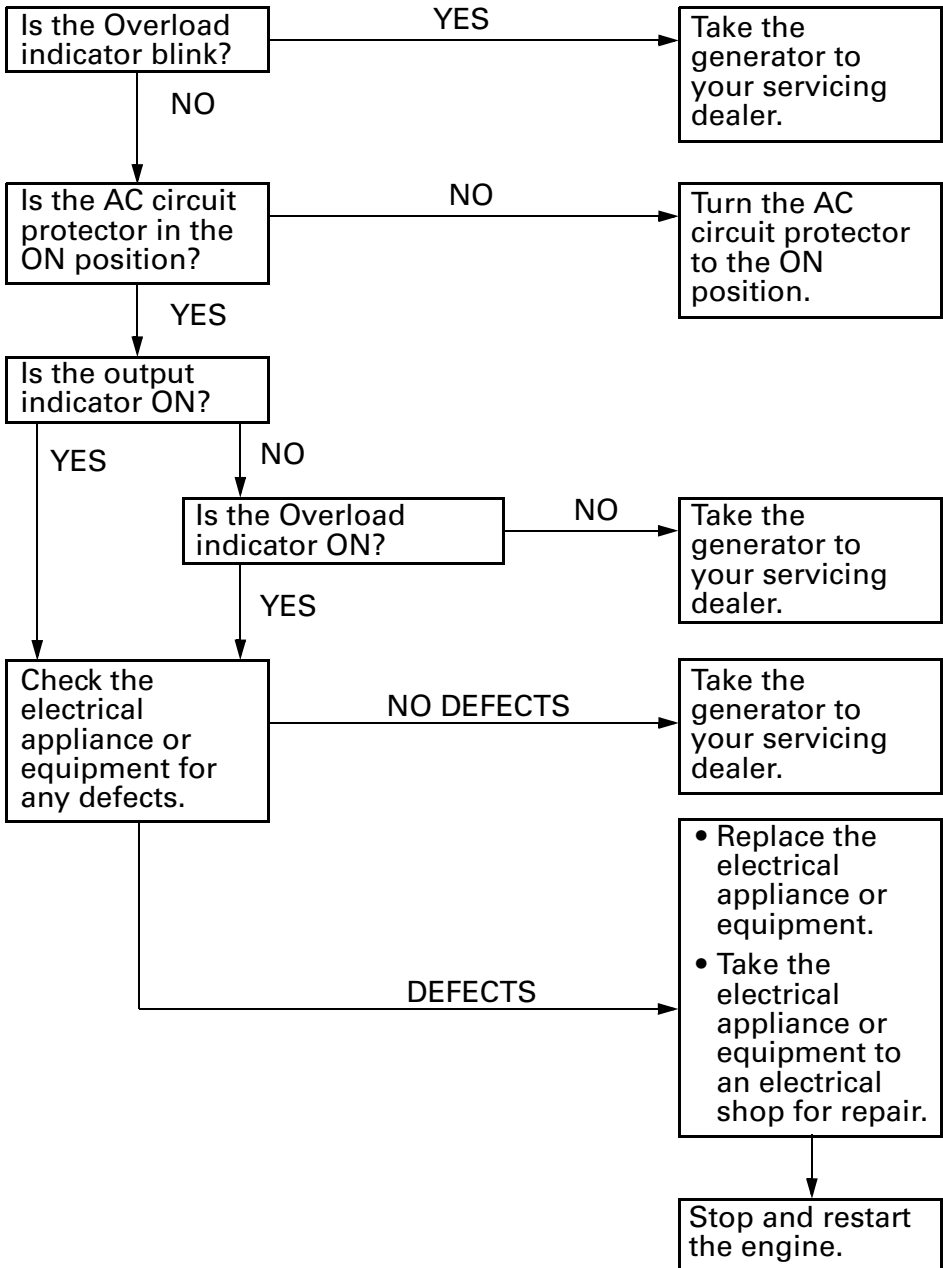


10. TROUBLESHOOTING

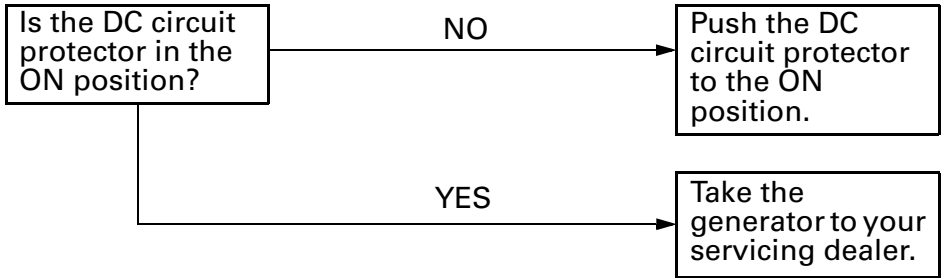
When the engine will not start:



Appliance does not operate:



No electricity at the DC receptacle (Except B type):



11. SPECIFICATIONS

Dimensions and Weight

Model	EU22iT		
Type	E, W, B1, F	G	B
Description code	EAMT		
Length	509 mm (20.0 in)	519 mm (20.4 in)	541 mm (21.3 in)
Width	290 mm (11.4 in)		
Height	425 mm (16.7 in)		
Dry weight	21.2 kg (46.7 lbs)		

Engine

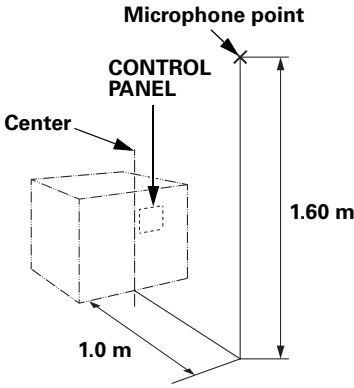
Model	GXR120T
Engine type	4-stroke, overhead camshaft, single cylinder
Displacement	121 cm ³ (7.38 cu-in)
Bore×Stroke	60.0×43.0 mm (2.36×1.69 in)
Compression ratio	8.5:1
Engine speed	2,800–4,500 rpm 4,000–4,500 rpm (with eco throttle switch OFF)
Cooling system	Forced air
Ignition system	Full transistor
Engine oil capacity	0.44 L (0.46 US qt, 0.39 Imp qt)
Fuel tank capacity	3.6 L (0.95 US gal, 0.79 Imp gal)
Spark plug	CR5HSB (NGK)
Carbon dioxide (CO ₂) emissions*	931 g/kW·hr

* This CO₂ measurement results from testing over a fixed test cycle under laboratory conditions a(n) (parent) engine representative of the engine type (engine family) and shall not imply or express any guarantee of the performance of a particular engine.

Generator

Model		EU22iT	
Type		E, W, B1, F, G	B
AC output	Rated Voltage	230 V	110 V
	Rated Frequency	50 Hz	
	Rated Ampere	7.8 A	16.4 A
	Rated Output	1.8 kVA	
	Max Output	2.2 kVA	
DC rated output		Only for charging 12 V automotive batteries. 12 V, 8.3 A	–

Noise

Model	EU22iT
Type	E, W, B1, F, G, B
Sound pressure level at the workstation (2006/42/EC)	72 dB (A) (with Eco throttle ON)
 <p>The diagram illustrates the measurement setup for noise at the workstation. It shows a 3D perspective of a control panel represented as a cube. A vertical line indicates the distance from the center of the control panel to the microphone point, which is 1.60 m. A horizontal line indicates the distance from the center of the control panel to the microphone point, which is 1.0 m. The microphone point is located directly above the center of the control panel.</p>	
Uncertainty	2 dB (A)
Measured sound power level (2000/14/EC, 2005/88/EC)	88 dB (A) (with Eco throttle ON)
Uncertainty	2 dB (A)
Guaranteed sound power level (2000/14/EC, 2005/88/EC)	90 dB (A) (with Eco throttle ON)

“the figures quoted are emission levels and are not necessarily safe working levels. Whilst there is a correlation between the emission and exposure levels, this cannot be used reliably to determine whether or not further precautions are required. Factors that influence the actual level of exposure of work-force include the characteristics of the work room, the other sources of noise, etc. i.e. the number of machines and other adjacent processes, and the length of time for which an operator is exposed to the noise. Also the permissible exposure level can vary from country. This information, however, will enable the user of the machine to make a better evaluation of the hazard and risk”.

NOTE:

Specifications are subject to change without notice.

12. WIRING DIAGRAM

INDEX

(See inside back cover)

B1, E, F, G, W Types	W-1
B Type.....	W-2

ABBREVIATIONS

Symbol	Part name
AC,CP	AC Circuit Protector
ACOR	AC Output Receptacle
(B1)	B1 Type
Cot	Parallel operation socket
CPB	Control Panel Block
DC,CP	DC Circuit Protector
DC,D	DC Diode
DC,NF	DC Noise Filter
DCOR	DC Output Receptacle
DC,W	DC Winding
EcoSw	Eco throttle switch
EgB	Engine Block
EgG	Engine Ground
ESw	Engine Switch
ExW	Exciter Winding
FrB	Frame Block
FrG	Frame Ground
FTU	Full-Transistor Unit
(F)	F Type
(G, E)	G, E Types
GeB	Generator Block
GT	Ground Terminal
IB	Inverter Block
IgC	Ignition Coil
IU	Inverter Unit
MW	Main Winding
OAL	Oil Alert Indicator
OAU	Oil Alert Unit
OI	Overload Indicator
OLSw	Oil Level Switch
PC	Pulser Coil
PL	Output Indicator
RBx	Receptacle Box for Parallel Operation
SP	Spark Plug

Symbol	Part name
SpU	Spark Unit
StpM	Stepping Motor (Throttle Control)
SW	Sub Winding
To Ge	To Generator
(W)	W Type

WIRE COLOR CODE

Bl	BLACK
Y	YELLOW
Bu	BLUE
G	GREEN
R	RED
W	WHITE
Br	BROWN
Lg	LIGHT GREEN
Gr	GRAY
Sb	SKY BLUE
O	ORANGE
P	PINK

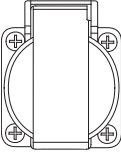

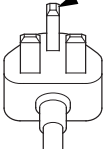
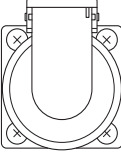

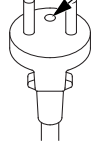
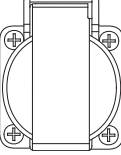

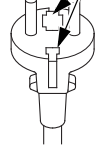
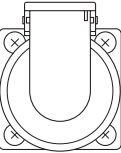
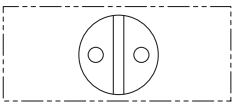
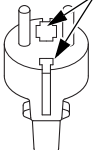
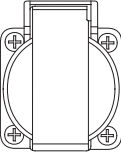

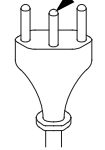
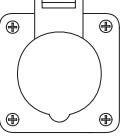
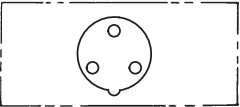
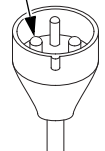
ENGINE SWITCH

	G	Bl
OFF	o	o
ON		

ECO THROTTLE SWITCH

	R/W	R/Y
ON		
OFF	o	o

RECEPTACLE

Type	Shape		Plug
B1			 GROUND PIN
F			 GROUND PIN
E			 GROUND PIN
G			 GROUND PIN
W			 GROUND PIN
B			 GROUND PIN

MEMO

Honda EU22i

MANUEL DE L'UTILISATEUR
Notice originale



Nous vous remercions d'avoir porté votre choix sur un groupe électrogène Honda.

Ce manuel couvre l'utilisation et l'entretien du groupe électrogène EU22i.

Toutes les informations de cette publication sont basées sur les dernières données sur le produit disponibles au moment de la mise sous presse.

Honda Motor Co., Ltd. se réserve le droit d'apporter des modifications à tout moment sans préavis et sans obligation quelconque.

Aucune partie de cette publication ne peut être reproduite sans autorisation écrite.

Ce manuel doit être considéré comme un élément permanent du groupe électrogène et doit l'accompagner en cas de revente.

Attacher une attention particulière aux indications précédées des mentions suivantes :

▲ ATTENTION Signale un fort risque de blessures corporelles graves, voire un danger mortel si les instructions ne sont pas suivies.

PRÉCAUTION : Indique un risque de blessure personnelles ou d'endommagement de l'équipement si les instructions ne sont pas suivies.

REMARQUE : Fournit des informations utiles.

En cas de dérangement, ou pour toute question concernant ce groupe électrogène, veuillez vous adresser au revendeur local Honda.

▲ ATTENTION

Les groupes électrogènes Honda ont été conçus pour assurer un fonctionnement sûr et fiable lorsqu'ils sont utilisés conformément aux instructions données. Lire très attentivement le manuel du propriétaire avant d'utiliser le groupe électrogène. À défaut, vous vous exposeriez à des blessures et l'équipement pourrait être endommagé.

Les illustrations peuvent varier en fonction du type.

SOMMAIRE

1. CONSIGNES DE SÉCURITÉ.....	3
2. EMBLACEMENT DES ÉTIQUETTES DE SÉCURITÉ	7
• Emplacement de la marque CE et des étiquettes sur les émissions sonores.....	10
3. IDENTIFICATION DES COMPOSANTS.....	11
4. CONTRÔLE AVANT UTILISATION.....	15
5. DÉMARRAGE DU MOTEUR	20
• Modification du carburateur pour une utilisation à haute altitude	23
6. UTILISATION DU GROUPE	24
7. ARRÊT DU MOTEUR.....	39
8. ENTRETIEN.....	42
9. TRANSPORT/REMISAGE.....	47
10. DEPANNAGE	50
11. CARACTÉRISTIQUES	53
12. SCHÉMA DE CÂBLAGE	56
PRISE	57
ADRESSES DES PRINCIPAUX DISTRIBUTEURS Honda.....	Troisième de couverture
"CE-Déclaration de conformité" DESCRIPTION DE TABLE DES MATIERES...	Troisième de couverture

1. CONSIGNES DE SÉCURITÉ

INFORMATIONS DE SÉCURITÉ IMPORTANTES

Les groupes électrogènes Honda sont destinés à alimenter des équipements électriques ayant une puissance requise appropriée. Toutes autres utilisations peuvent entraîner des blessures de l'opérateur ou endommager le groupe électrogène et d'autres biens.

La plupart des blessures ou dommages aux biens peuvent être évités si vous respectez toutes les instructions figurant dans ce manuel et sur le groupe électrogène. Les dangers les plus courants sont décrits ci-dessous avec l'indication des meilleurs moyens pour s'en protéger, soi-même et les autres.

Ne jamais essayer de modifier le groupe électrogène. Il pourrait en résulter un accident ainsi que des dommages au groupe électrogène et aux appareils. L'altération du moteur annule l'homologation EU de ce dernier.

- Ne pas raccorder de rallonge au silencieux.
- Ne pas modifier le système d'admission.
- Ne pas régler le régulateur de régime.
- Ne pas déposer le panneau de commande et ne pas modifier son câblage.

Responsabilités de l'opérateur

Apprendre à arrêter rapidement le groupe électrogène en cas d'urgence. Bien comprendre l'utilisation de toutes les commandes du groupe électrogène, prises de sortie et connexions.

S'assurer que toutes les personnes utilisant le groupe électrogène reçoivent des instructions appropriées. Ne pas laisser les enfants utiliser le groupe électrogène sans surveillance parentale.

Observer les instructions de ce manuel sur la manière d'utiliser le groupe électrogène ainsi que les informations d'entretien. En ignorant ou suivant incorrectement les instructions, on risque un accident tel qu'électrocution et une dégradation de l'état des gaz d'échappement.

Respecter toutes les réglementations applicables du lieu où le groupe électrogène est utilisé.

L'essence et l'huile sont toxiques. Suivre les instructions fournies par chaque fabricant avant l'emploi.

Avant l'utilisation, placer le groupe électrogène sur une surface horizontale et ferme.

Ne pas faire fonctionner le groupe électrogène avec un couvercle retiré. On s'exposerait à un accident si une main ou un pied se prenait dans le groupe électrogène.

Pour le démontage et les interventions sur le groupe électrogène non couverts par ce manuel, consulter son concessionnaire Honda agréé.

Dangers du monoxyde de carbone

Les gaz d'échappement contiennent du monoxyde de carbone, un gaz toxique, incolore et inodore. Les gaz d'échappement peuvent provoquer des évanouissements et être mortels.

Si l'on fait fonctionner le groupe électrogène dans un endroit fermé ou même partiellement clos, l'air respiré peut contenir une quantité dangereuse de gaz d'échappement.

Ne jamais faire fonctionner le groupe électrogène dans un garage, une maison ou à proximité de fenêtres ou portes ouvertes.

Risques d'électrocution

L'utilisation du groupe électrogène ou d'un appareil électrique dans des conditions humides telles que pluie ou neige, près d'une piscine ou d'un dispositif d'arrosage ou avec les mains mouillées peut être à l'origine d'une électrocution.

Garder le groupe électrogène sec.

Si le groupe électrogène se trouve à l'extérieur dans un endroit non protégé contre les intempéries, vérifier toutes les pièces électriques du panneau de commande avant chaque utilisation. L'humidité ou la glace peuvent provoquer une anomalie ou un court-circuit des pièces électriques pouvant causer une électrocution.

En cas de choc électrique, consulter immédiatement un médecin pour recevoir un traitement médical.

Pour un fonctionnement en parallèle, utilisez uniquement une boîte électrique Honda homologuée (équipement en option) lors du branchement des combinaisons du générateur indiquées ci-dessous.

EU22i et EU22i

EU22i et EU20i *

* Un EU22i peut uniquement être associé aux modèles EU20i qui possèdent des numéros de série compris dans les pages indiquées ci-dessous.

Numéro de série du cadre applicable de EU20i	EAAJ-2032188 et ultérieurs
	EACT-1000001 et ultérieurs

Ne branchez jamais un générateur EU22i à un différent modèle de générateur, autre que les modèles spécifiés ci-dessus.

Risques d'incendie et de brûlures

Ne pas utiliser le groupe électrogène dans des endroits présentant des risques importants d'incendie.

Le système d'échappement chauffe suffisamment pour enflammer certaines matières.

- Garder le groupe électrogène à au moins 1 mètre des bâtiments et des autres équipements pendant l'utilisation.
- Ne pas enfermer le groupe électrogène dans une structure.
- Ne pas approcher de matières inflammables du groupe électrogène.

Certaines pièces du moteur à combustion interne sont chaudes et peuvent provoquer des blessures. Prêter attention aux avertissements sur le groupe électrogène.

Le silencieux devient brûlant pendant le fonctionnement et reste chaud quelques temps après l'arrêt du moteur. Prendre garde de ne pas toucher le silencieux tant qu'il est brûlant. Attendre que le moteur se soit refroidi avant de remiser le groupe électrogène à l'intérieur.

En cas d'incendie du groupe électrogène, ne pas verser d'eau directement dessus. Utiliser un extincteur d'incendie approprié spécialement conçu pour les incendies électriques ou d'huile.

Si l'on a respiré des fumées produites par un incendie accidentel du groupe électrogène, consulter immédiatement un médecin pour recevoir un traitement médical.

Faire le plein de carburant avec précaution

L'essence est extrêmement inflammable et les vapeurs d'essence peuvent exploser. Laisser le moteur se refroidir si le groupe électrogène vient de fonctionner.

Ne faire le plein qu'à l'extérieur dans un endroit bien aéré et avec le moteur arrêté.

Ne pas faire d'appoint de carburant pendant le fonctionnement.

Ne pas trop remplir le réservoir de carburant.

Ne jamais fumer à proximité de l'essence et ne pas approcher de flammes ou d'étincelles.

Toujours stocker l'essence dans un récipient approprié.

Avant de mettre le moteur en marche, s'assurer que tout carburant renversé a été essuyé.

Antidéflagrant

Ce groupe électrogène n'est pas à l'épreuve des déflagrations.

Mise au rebut

Pour protéger l'environnement, ne pas jeter le groupe électrogène, la batterie, l'huile moteur usée, etc. aux ordures ou dans un endroit impropre. Pour leur mise au rebut, observer la réglementation locale ou consulter son concessionnaire Honda agréé.

Respecter la réglementation environnementale en vigueur pour la mise au rebut de l'huile usagée. Nous vous suggérons de la transporter dans un bidon fermé hermétiquement jusqu'à la station-service la plus proche pour recyclage. Ne pas la jeter aux ordures ni la déverser au sol.

Une batterie jetée n'importe où peut être nocive pour l'environnement. Toujours respecter la réglementation locale en vigueur pour la mise au rebut des batteries. Faire remplacer la batterie par son concessionnaire d'entretien.

ELIMINATION DU GENERATEUR



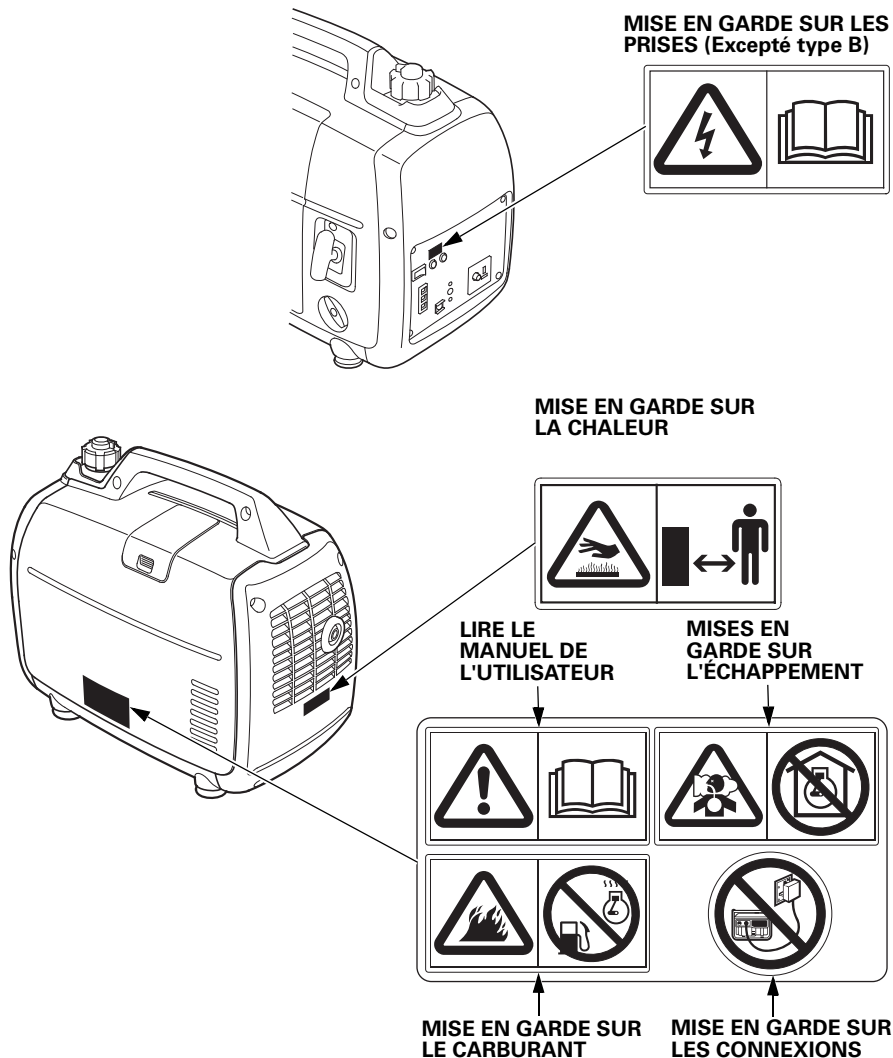
N'éliminez pas le matériel électrique avec les ordures ménagères. Si des appareils électriques sont éliminés dans des décharges ou des dépotoirs, des substances risquent de fuir, de réagir, puis d'entrer dans la chaîne alimentaire et de nuire à votre santé et à votre bien-être. Pour de plus amples informations sur l'élimination de ce produit, consultez votre revendeur ou le service de collecte des ordures ménagères le plus proche.

2. EMBLACEMENT DES ÉTIQUETTES DE SÉCURITÉ

Ces étiquettes ont pour objet de mettre en garde contre les risques potentiels de blessures graves. Lire attentivement ces étiquettes, de même que les avertissement et les remarques de sécurité donnés dans ce manuel.

Si une étiquette se détache ou devient illisible, s'adresser à un concessionnaire réparateur Honda pour la faire remplacer.

[Pour le modèle européen : types B, B1, E, F, G, W]





- Les groupes électrogènes Honda ont été conçus pour assurer un fonctionnement sûr et fiable lorsqu'ils sont utilisés conformément aux instructions données.

Lire très attentivement le manuel de l'utilisateur avant d'utiliser le groupe électrogène. À défaut, vous vous exposeriez à des blessures et l'équipement pourrait être endommagé.



- Les gaz d'échappement contiennent du monoxyde de carbone, un gaz toxique, incolore et inodore. L'inhalation du monoxyde de carbone peut provoquer l'évanouissement et entraîner la mort.
- Si l'on fait fonctionner le groupe électrogène dans un endroit fermé ou même partiellement clos, l'air respiré peut contenir une quantité dangereuse de gaz d'échappement.
- Ne jamais faire fonctionner le groupe électrogène dans un garage, une maison ou à proximité de fenêtres ou portes ouvertes.



- Un raccordement incorrect au réseau électrique d'un bâtiment peut permettre le retour du courant du groupe électrogène dans les lignes de la compagnie d'électricité. Un tel retour du courant peut provoquer l'électrocution du personnel de la compagnie d'électricité, ou de toute autre personne, travaillant sur le réseau pendant une panne de courant, et le groupe électrogène risque d'exploser, brûler ou causer un incendie lors du rétablissement du courant.
- Avant d'effectuer des raccordements électriques, consulter la compagnie d'électricité ou un électricien qualifié.



- **L'essence est hautement inflammable et explosive. Arrêter le moteur et le laisser se refroidir avant de faire le plein.**



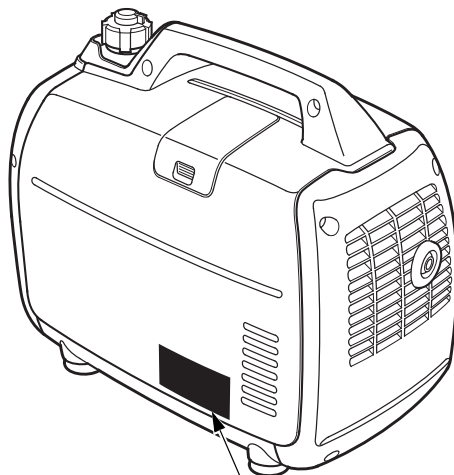
- **Arrêter le moteur avant de brancher ou débrancher le boîtier de prise de courant pour fonctionnement en parallèle.**
- **Pour un fonctionnement en solo, il faut débrancher le boîtier de prise de courant pour fonctionnement en parallèle.**



- **Un système d'échappement chaud peut provoquer de graves brûlures. Éviter tout contact immédiatement après arrêt du moteur.**

- Emplacement de la marque CE et des étiquettes sur les émissions sonores

[Pour le modèle européen : types B, B1, E, F, G, W]



MARQUAGE CE et ÉTIQUETTE BRUIT
 [Exemple : Types B1, E, F, G et W]

ÉTIQUETTE RELATIVE AUX ÉMISSIONS SONORES

Classe de performances

Classe de qualité

Code IP

Masse à sec (poids)

Fabricant et adresse

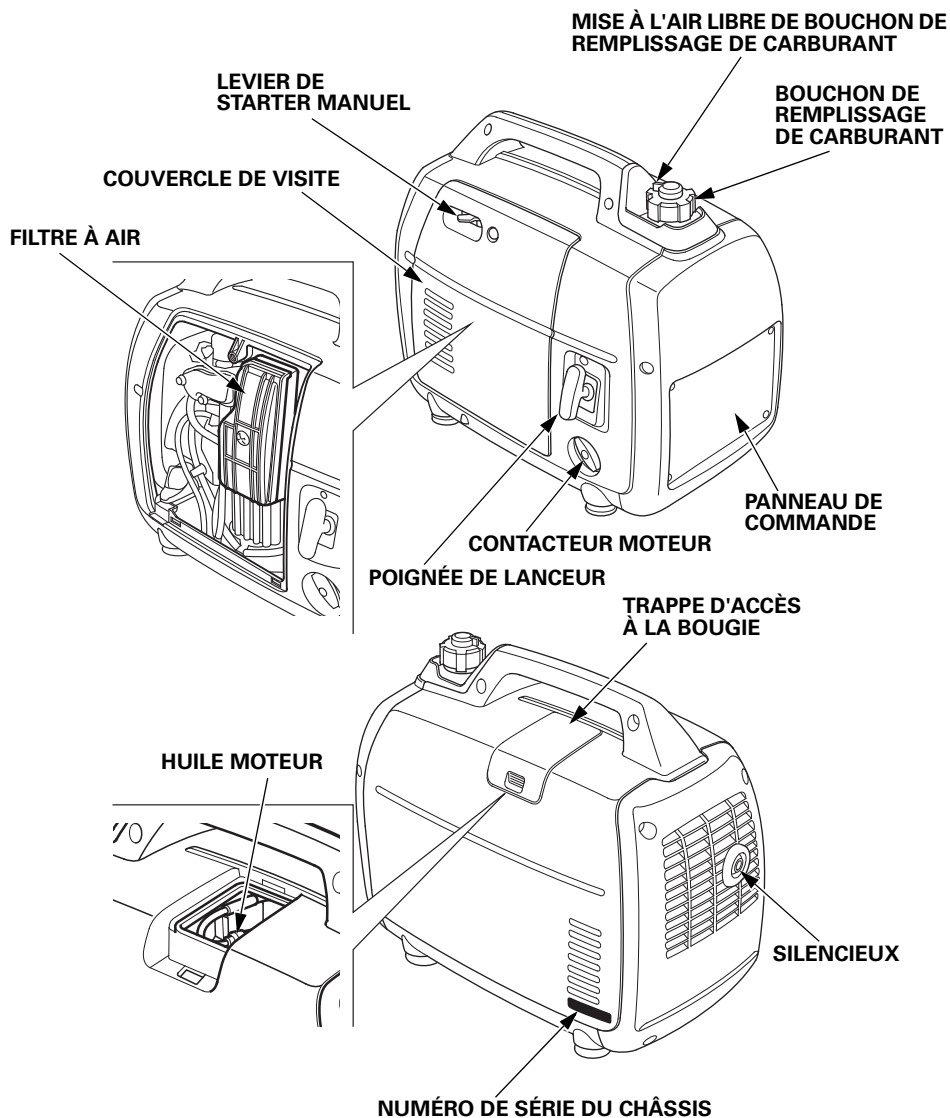
Année de production

Nom et adresse du représentant agréé et de l'importateur

		EU22i CE Low-power generating set EN ISO 8528-13		
90 dB	Maximum power COP 1.8 kW	MAX 2.2 kW	50 Hz	G1
	Rated power factor Year of Mfg.	1.0	7.8A	A IP23M
	Year of Mfg.	Mass	kg	

Le nom et l'adresse du constructeur, du représentant agréé et de l'importateur figurent dans la PRÉSENTATION DU CONTENU de la "Déclaration de Conformité CE" dans le présent manuel de l'utilisateur.

3. IDENTIFICATION DES COMPOSANTS



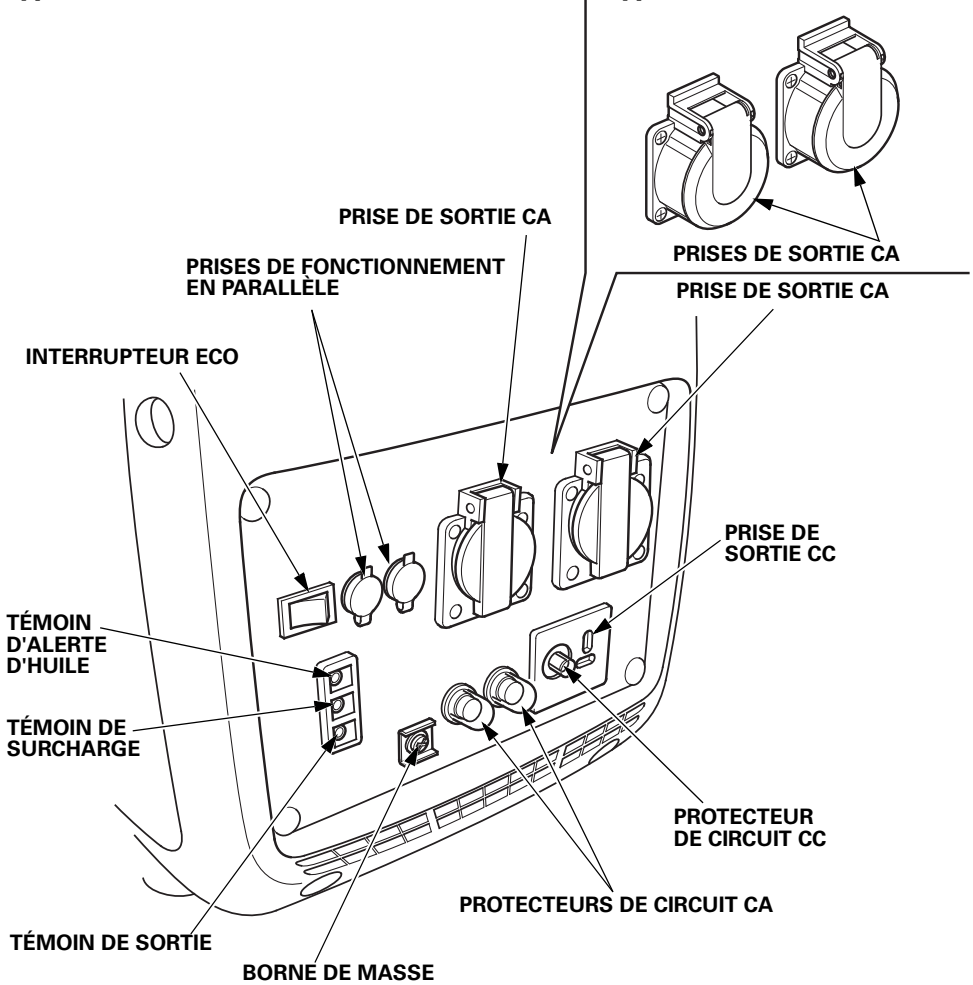
Noter le numéro de série du châssis dans l'espace ci-dessous. Ce numéro de série est indispensable pour la commande de pièces.

Numéro de série du châssis : _____

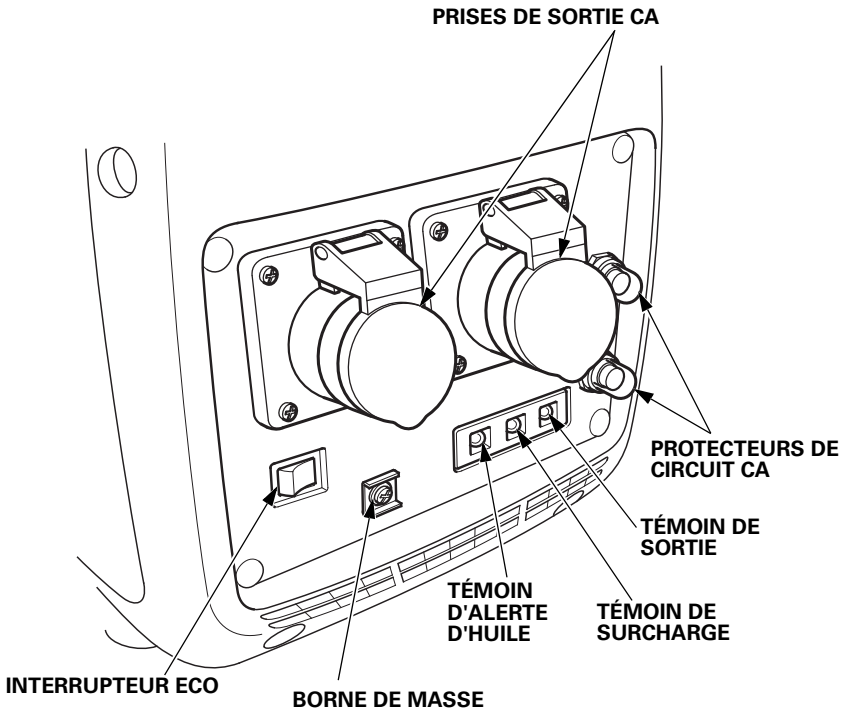
PANNEAU DE COMMANDE

Types B1, E, W

Types F, G



Type B



Eco Throttle

ECO :

Le régime moteur est automatiquement laissé au ralenti lorsque l'appareil électrique est déconnecté, et il revient à la bonne vitesse avec la charge électrique lorsque l'appareil électrique est connecté. Cette position est recommandée pour réduire la consommation de carburant au minimum pendant l'utilisation.

REMARQUE :

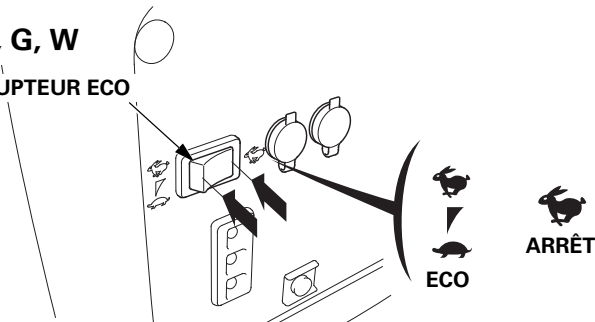
- Le système Eco Throttle ne fonctionne pas suffisamment si l'appareil électrique nécessite une puissance électrique momentanée.
- Lorsque des appareils à charge électrique élevée sont branchés simultanément, placer l'interrupteur Eco Throttle sur ARRÊT pour réduire les variations de tension.
- En fonctionnement CC, tourner l'interrupteur ECO vers la position ARRÊT.

ARRÊT :

Le système Eco Throttle ne fonctionne pas. Le régime du moteur est maintenu dans la plage de régime moteur (avec Eco Throttle à l'arrêt) à la page "CARACTERISTIQUES":

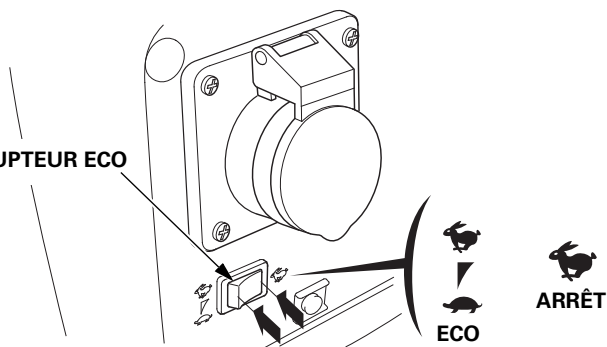
Types B1, E, F, G, W

INTERRUPTEUR ECO



Type B

INTERRUPTEUR ECO



4. CONTRÔLE AVANT UTILISATION

PRÉCAUTION :

Contrôler le groupe électrogène sur un sol horizontal avec le moteur arrêté.

Avant chaque utilisation, regarder autour du moteur et au-dessous afin de détecter tout signe de fuite d'huile ou d'essence.

1. Vérifier le niveau d'huile moteur.

PRÉCAUTION:

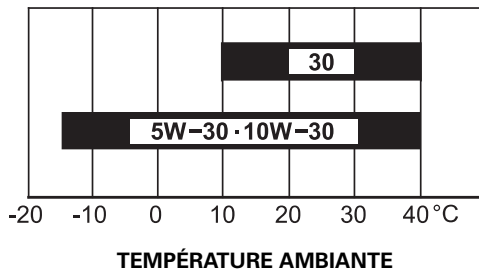
L'utilisation d'une huile moteur non détergente ou 2 temps peut raccourcir la durée de service de moteur.

Huile préconisée

Utiliser une huile moteur 4 temps répondant ou dépassant les prescriptions pour la classe service API SE ou ultérieure (ou équivalente). Toujours vérifier l'étiquette de service API sur le bidon d'huile pour s'assurer qu'elle porte bien la mention SE ou ultérieure (ou équivalente).

Spécifications d'huile lubrifiante nécessaires à la bonne performance du système de contrôle des émissions : Huile d'origine Honda.

Avant l'utilisation, lire attentivement les instructions figurant sur le bidon d'huile.



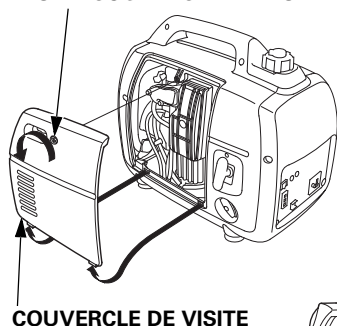
L'indice SAE 10W-30 est préconisé pour un usage général. Les autres viscosités d'huile figurant dans le tableau peuvent être utilisées lorsque la température moyenne de la région d'utilisation de la machine se situe dans la plage recommandée.

1. Desserrer la vis du couvercle de visite et déposer le couvercle (voir page 43).
2. Retirer le bouchon de remplissage d'huile et essuyer la jauge avec un chiffon propre.
3. Vérifier le niveau d'huile en introduisant la jauge dans l'orifice de remplissage d'huile sans la visser.
4. Si le niveau d'huile est en dessous de l'extrémité de la jauge de niveau, faire l'appoint d'huile recommandée jusqu'au haut du goulot de dispositif de remplissage (voir page 15).
5. Reposer fermement le bouchon de remplissage d'huile.

PRÉCAUTION :

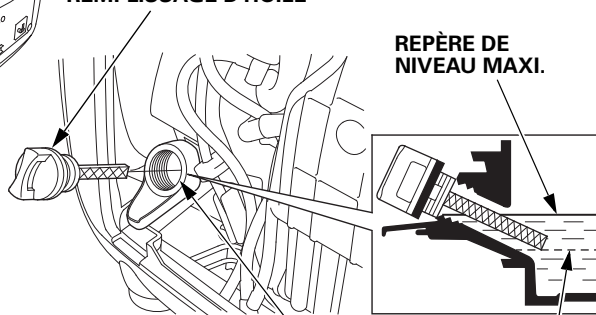
Si le moteur était utilisé sans qu'il y ait suffisamment d'huile, il risquerait d'être sérieusement endommagé.

VIS DE COUVERCLE DE VISITE



COUVERCLE DE VISITE

BOUCHON DE REMPLISSAGE D'HUILE



ORIFICE DE REMPLISSAGE D'HUILE

LIMITE INFÉRIEURE

REMARQUE :

Le système d'alerte d'huile arrête automatiquement le moteur avant que le niveau d'huile ne tombe au-dessous de la limite de sécurité. Pour éviter l'inconvénient d'un arrêt imprévu, il demeure néanmoins conseillé de contrôler visuellement le niveau d'huile régulièrement.

2. Vérifier le niveau de carburant.

Si le niveau de carburant est bas, refaire le plein du réservoir jusqu'au niveau spécifié. Après avoir fait l'appoint, serrer à fond le bouchon de dispositif de remplissage d'essence.

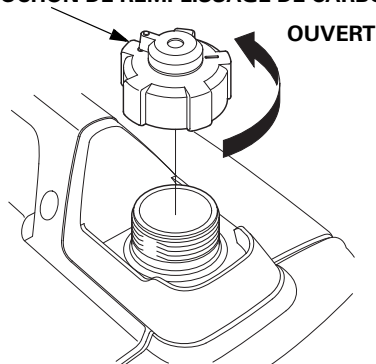
Utiliser de l'essence automobile sans plomb ayant un indice d'octane recherche d'au moins 91 (ou un indice d'octane pompe d'au moins 86).
Spécification(s) du carburant nécessaire(s) à la bonne performance du système de contrôle des émissions : Carburant E10 indiqué dans le règlement UE.

Ne jamais utiliser de l'essence viciée ou contaminée ou un mélange d'huile/essence. Éviter toute pénétration d'impuretés ou d'eau dans le réservoir de carburant.

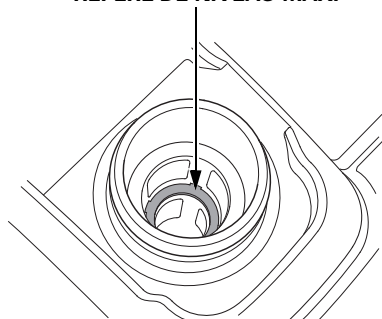
▲ ATTENTION

- L'essence est hautement inflammable et peut exploser dans certaines conditions.
- Faire le plein dans un endroit bien aéré, le moteur arrêté. Ne pas fumer ou approcher de flammes vives ou d'étincelles près du lieu où plein est effectué et près du lieu de stockage de l'essence.
- Ne pas trop remplir le réservoir d'essence (il ne doit pas y avoir d'essence au-dessus de la marque de limite supérieure). Après avoir refait le plein, s'assurer que le bouchon de remplissage de carburant est correctement et solidement fermé.
- Faire attention à ne pas renverser d'essence pendant le remplissage du réservoir. Des vapeurs d'essence ou de l'essence renversée peuvent s'enflammer. Avant de mettre le moteur en marche, s'assurer que l'essence renversée a séché et que les vapeurs sont dissipées.
- Éviter le contact direct de l'essence sur la peau ou de respirer les vapeurs.
TENIR HORS DE PORTÉE DES ENFANTS.

BOUCHON DE REMPLISSAGE DE CARBURANT



REPÈRE DE NIVEAU MAXI



REMARQUE :

L'essence se dégrade très rapidement sous l'effet de facteurs tels qu'exposition à la lumière, la température et le temps. Au pire des cas, l'essence peut être contaminée en moins de 30 jours.

L'utilisation d'essence contaminée peut endommager sérieusement le moteur (obstruction du carburateur, grippage des soupapes).

Les dommages dus au carburant dégradé ne sont pas couverts par la garantie.

Pour éviter cela, respecter les consignes suivantes :

- N'utiliser que l'essence spécifiée (voir page 17).
- Utiliser de l'essence fraîche et propre.
- Pour ralentir la dégradation, conserver l'essence dans un récipient de carburant certifié.
- Avant un long remisage (plus de 30 jours), vidanger le réservoir de carburant et le carburateur (voir page 48).

Essences contenant de l'alcool

En cas d'utilisation d'une essence contenant de l'alcool ("essence-alcool"), s'assurer que son indice d'octane est au moins égal à l'indice recommandé.

Il existe deux types "d'essence-alcool" : le premier contient de l'éthanol, le second du méthanol.

Ne pas utiliser une essence-alcool contenant plus de 10 % d'éthanol.

Ne pas utiliser une essence contenant plus de 5 % de méthanol (alcool méthylique ou alcool de bois) ou une essence contenant du méthanol, à moins qu'elle ne contienne également des cosolvants et des inhibiteurs de corrosion pour méthanol.

REMARQUE :

- Les dommages du système d'alimentation en carburant ou les problèmes de performances du moteur résultant de l'utilisation d'une essence contenant plus d'alcool que ce qui est recommandé ne sont pas couverts par la garantie.
- Avant de se ravitailler dans une station-service que l'on connaît mal, essayer de savoir si l'essence contient de l'alcool, quel est le type d'alcool utilisé et dans quel pourcentage en cas de symptômes de fonctionnement inhabituel lors de l'utilisation d'une essence particulière. Revenir à une essence que l'on sait ne pas contenir plus d'alcool que la quantité recommandée.

3. Contrôler le filtre à air.

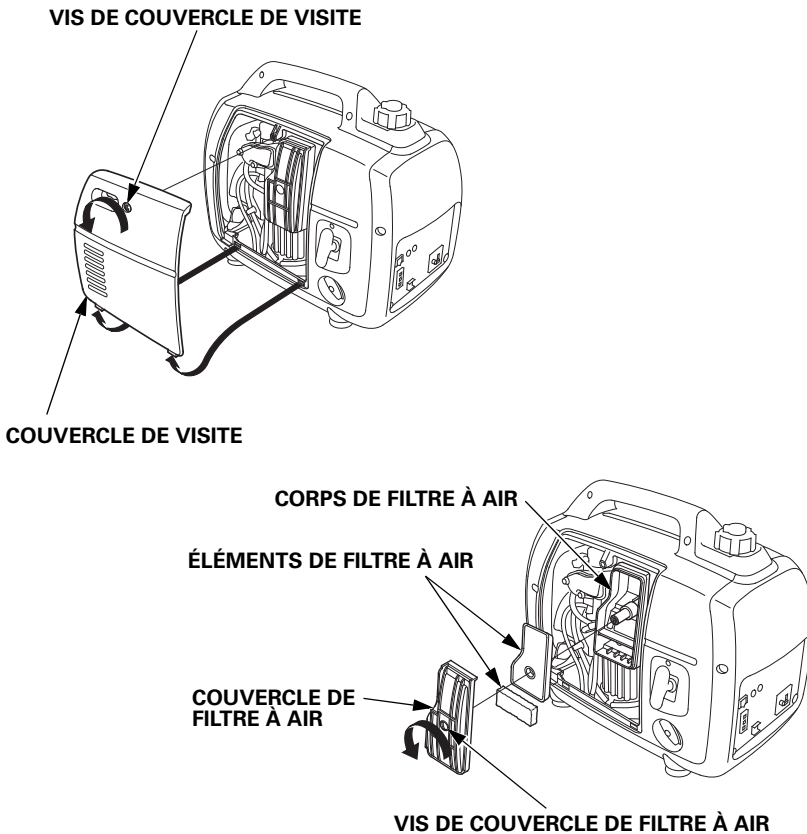
Vérifier les éléments du filtre à air pour s'assurer qu'ils sont bien propres et en bon état.

Desserrer la vis du couvercle de visite et déposer le couvercle de visite. Desserrer la vis du couvercle de filtre à air et déposer le couvercle de filtre à air, puis vérifier les éléments.

Nettoyer ou remplacer les éléments si nécessaire (voir page 44).

PRÉCAUTION :

Ne jamais faire fonctionner le moteur sans les éléments de filtre à air. Des impuretés telles que poussière et saleté aspirées dans le moteur à travers le carburateur entraîneraient une usure rapide du moteur.



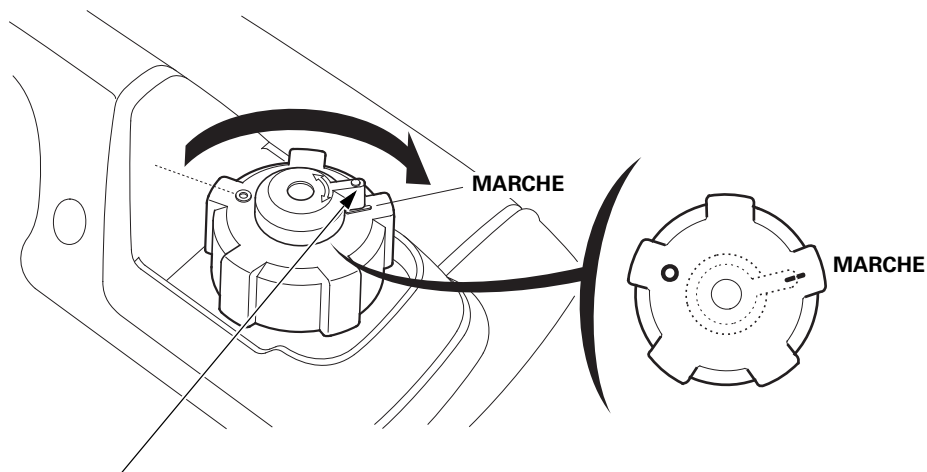
5. DÉMARRAGE DU MOTEUR

Avant de mettre en marche le moteur, déconnecter toute charge de la prise secteur.

1. Tourner le levier de mise à l'air libre du bouchon de remplissage de carburant à fond dans le sens des aiguilles d'une montre sur la position MARCHÉ.

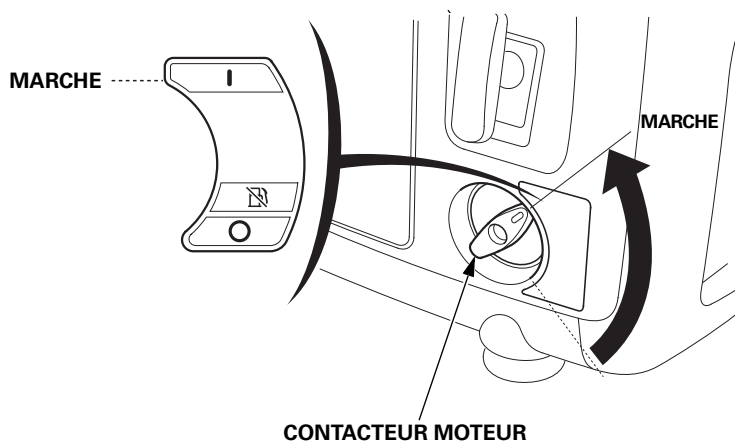
REMARQUE :

Placer le levier d'évent du bouchon de réservoir de carburant sur la position ARRÊT avant de transporter le groupe électrogène.



MISE À L'AIR LIBRE DE BOUCHON DE REMPLISSAGE DE CARBURANT

2. Placer le contacteur moteur sur la position MARCHÉ.

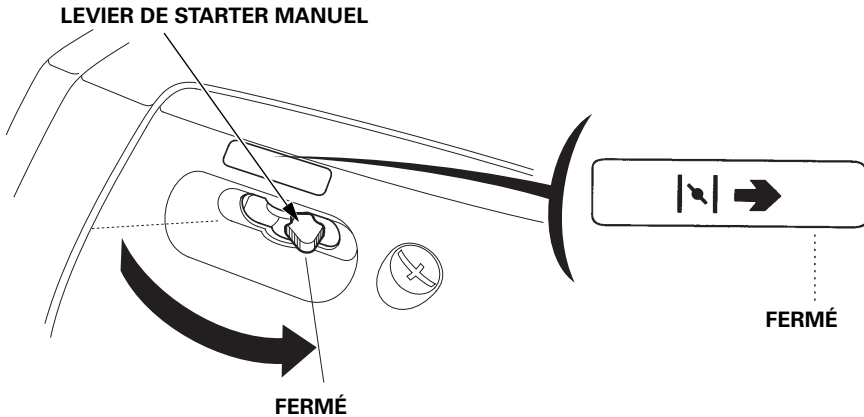


CONTACTEUR MOTEUR

3. Amener le levier de starter à la position fermée (CLOSED).

REMARQUE :

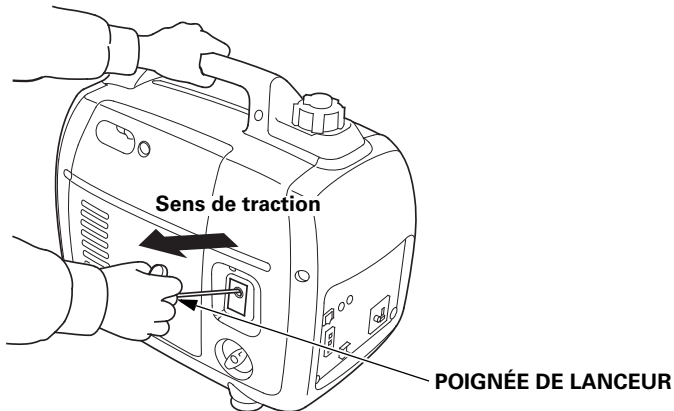
Ne pas utiliser le starter lorsque le moteur est chaud ou la température de l'air élevée.



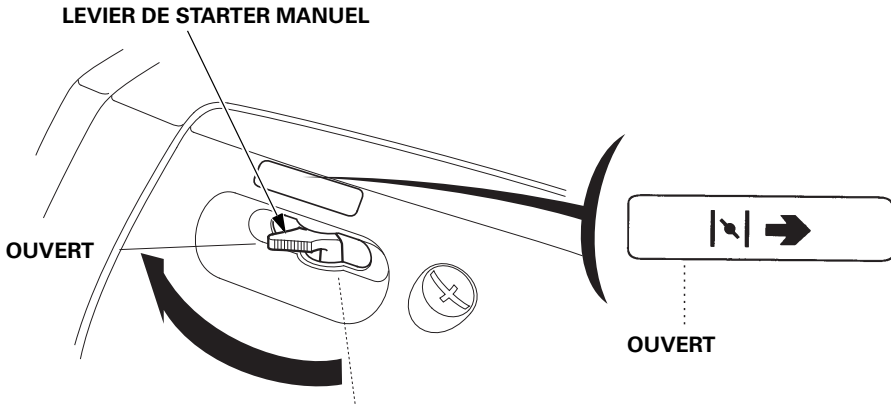
4. Tirer doucement la poignée de lanceur jusqu'à ressentir une résistance, puis la tirer d'un coup sec dans le sens de la flèche comme sur la figure ci-dessous.

PRÉCAUTION :

- Il se peut que la poignée de lanceur revienne en arrière très rapidement avant d'être lâchée. Ceci peut tirer avec force votre main vers le moteur et provoquer des blessures.
- Ne pas laisser la poignée de lanceur revenir brusquement. La ramener lentement à la main.



5. Déplacer le levier du starter vers la position "OPEN" (ouvert) dès que le moteur chauffe.



REMARQUE :

Si le moteur s'arrête et ne redémarre pas, vérifier le niveau d'huile du moteur (voir page 16) avant de rechercher l'origine du problème dans d'autres parties.

- **Modification du carburateur pour une utilisation à haute altitude**

À haute altitude, le mélange air-carburant du carburateur standard est trop riche. Les performances diminuent et la consommation augmente. Un mélange très riche encrasse aussi la bougie et rend difficile le démarrage. L'utilisation à une altitude différente de celle à laquelle le moteur a été certifié, pendant une durée prolongée, peut augmenter la pollution.

Il est possible d'améliorer les performances à haute altitude par des modifications spécifiques du carburateur. Si l'on utilise toujours le groupe électrogène à des altitudes supérieures à 1 500 mètres, demander au concessionnaire d'entretien d'effectuer ces modifications du carburateur. Ce moteur, quand il est utilisé à haute altitude avec les modifications de carburateur correspondantes, est conforme à toutes les normes antipollution pendant toute sa durée de vie utile.

Même avec la modification du carburateur, la puissance du moteur diminue d'environ 3,5 % par 300 mètres d'altitude supplémentaire. L'effet de l'altitude sur la puissance est plus important sans les modifications du carburateur.

PRÉCAUTION :

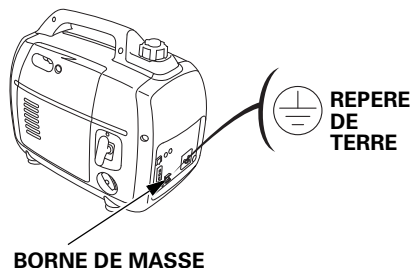
Les performances du groupe électrogène sont amoindries s'il est utilisé à une altitude inférieure à celle pour laquelle l'alimentation du carburateur a été réglée ; le moteur chauffe et est endommagé par un mélange stœchiométrique trop riche.

6. UTILISATION DU GROUPE

Le groupe électrogène produit une puissance électrique suffisamment importante pour provoquer un choc électrique grave ou une électrocution s'il est mal utilisé.

Si l'appareil connecté est relié à la masse, mettre également le groupe électrogène à la masse.

Pour la mise à la masse de la borne du groupe électrogène, utiliser un fil en cuivre d'un diamètre égal ou supérieur au cordon de l'appareil branché.

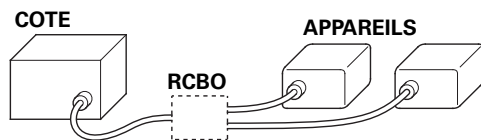


Utiliser un cordon prolongateur avec fil de masse lors du branchement d'un appareil avec fil de masse.

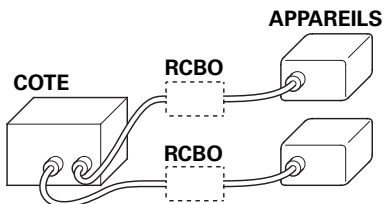
Pour identifier la broche de masse dans la fiche, voir PRISE, page 57 .

Connecter un RCBO (coupe-circuit différentiel résiduel avec protection contre les surintensités) de 30 mA de détection de fuite à la terre et coupure en moins de 0,4 seconde à plus de 30 A de courant de sortie, si l'on utilise deux appareils ou plus.

Suivre les instructions fournies par chaque fabricant de RCBO avant l'emploi.



Raccordement avec un RCBO



Raccordement avec deux RCBO

⚠ ATTENTION

Un raccordement incorrect au réseau électrique d'un bâtiment peut permettre le retour du courant du groupe électrogène dans les lignes de la compagnie d'électricité.

Un tel retour du courant peut provoquer l'électrocution du personnel de la compagnie d'électricité, ou de toute autre personne, travaillant sur le réseau pendant une panne de courant, et le groupe électrogène risque d'exploser, brûler ou causer un incendie lors du rétablissement du courant.

Avant d'effectuer des raccordements électriques, consulter la compagnie d'électricité ou un électricien qualifié.

PRÉCAUTION :

- Ne pas dépasser la limite d'intensité spécifiée pour chaque prise.
- Ne pas modifier le groupe électrogène et ne pas l'utiliser dans un autre but que celui prévu. Observer également les points suivants.
- Ne pas connecter un tuyau de rallonge au tuyau d'échappement.
- Lorsqu'il est nécessaire d'ajouter un câble rallonge, utiliser un câble blindé flexible et robuste (IEC 245 ou équivalent).

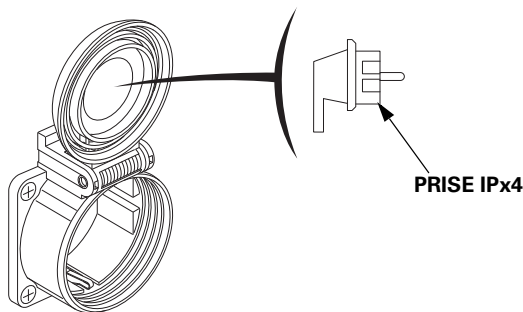
Lors de l'utilisation d'une rallonge, la valeur de résistance ne doit pas dépasser 1,5 Ω .

- Longueur limite des câbles de rallonge ; 60 m pour les câbles de 1,5 mm² et 100 m pour les câbles de 2,5 mm². Des câbles de rallonge trop longs réduisent la puissance utilisable car leur résistance est plus grande.
- Installer le groupe électrogène loin de tous câbles ou fils électriques, tels que les câbles d'alimentation du réseau d'électricité.

⚠ ATTENTION

Type G

Pour raccorder une prise à l'équerre, veiller à bien utiliser une prise IPx4.



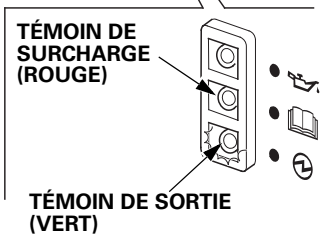
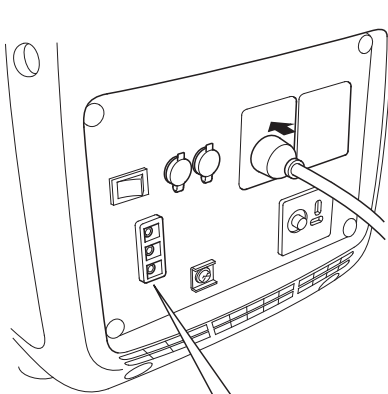
REMARQUE :

- La plupart des moteurs des équipements branchés exigent une puissance supérieure à la puissance nominale lors du démarrage. S'assurer que les caractéristiques électriques nominales de l'outil ou de l'appareil ne dépassent pas la puissance nominale maximale du groupe électrogène.
La puissance maximale est de : 2,2 kVA
- Pour une utilisation en continu, ne pas dépasser la puissance nominale.
La puissance nominale est de : 1,8 kVA
- Dans les deux cas, la puissance totale requise (VA) de tous les appareils branchés doit être prise en compte.
- Une surcharge importante déclenche le protecteur de circuit CA. Une faible surcharge peut ne pas déclencher le protecteur de circuit alternatif, mais raccourcit la durée de service du groupe électrogène.
- La prise CC peut être utilisée alors que l'alimentation secteur est utilisé (Excepté type B).
Si l'on utilise les deux en même temps, ne pas dépasser la puissance CA maximale.
Puissance CA maximale : 1,7 kVA

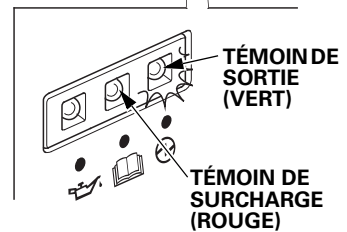
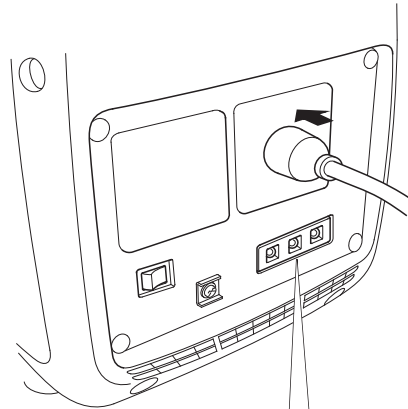
Applications CA

1. Mettre le moteur en marche et s'assurer que le témoin de sortie (vert) s'allume.
2. Confirmer que l'appareil à utiliser est hors tension, et brancher l'appareil.

Types B1, E, F, G, W



Type B



PRÉCAUTION :

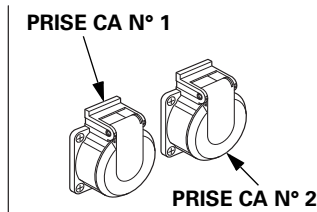
- Une surcharge importante qui fait continuellement s'allumer le témoin de surcharge (rouge) peut endommager le groupe électrogène. Une surcharge marginale qui fait s'allumer temporairement le témoin de surcharge (rouge) peut raccourcir la durée de service du groupe électrogène.
- S'assurer que tous les appareils sont en bon état de fonctionnement avant de les brancher au groupe électrogène. Le matériel électrique (y compris les connexions des câbles et fiches) ne doit pas être défectueux. Si un appareil se met à fonctionner anormalement, s'il fonctionne paresseusement ou s'arrête brusquement, placer immédiatement le contacteur moteur du groupe électrogène sur arrêt. Débrancher ensuite l'appareil et vérifier s'il ne présente pas des signes d'anomalie.

Protection de circuits alternatifs

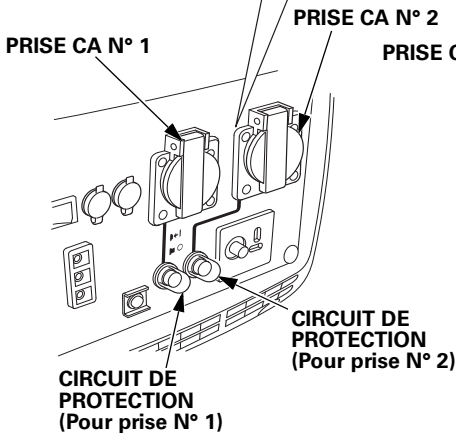
Les protecteurs de circuit CA se déclenchent automatiquement (leur bouton sort) en cas de court-circuit ou de surcharge importante du groupe électrogène à une prise.

Si un protecteur de circuit CA se déclenche automatiquement, s'assurer avant de le réenclencher (en enfonçant son bouton) que l'appareil branché fonctionne correctement et ne dépasse pas la capacité de charge nominale du circuit.

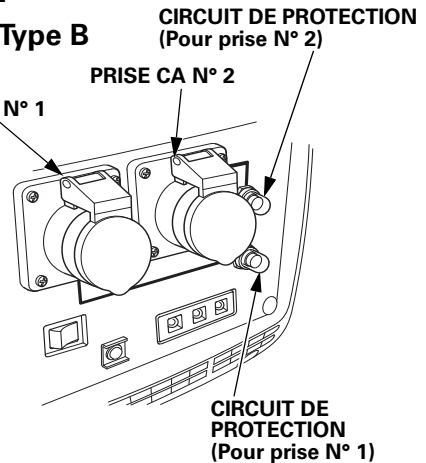
Types F, G



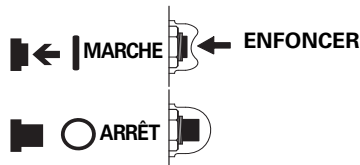
Types E, W, B1



Type B



(lorsqu'il est enfoncé)



Témoins de sortie et de surcharge

Le témoin de sortie (vert) reste allumé dans des conditions de fonctionnement normales.

De plus, le témoin de surcharge possède une fonction de compteur d'heures simplifiée. Lorsque le moteur est mis en marche, le clignotement du témoin est lié au nombre total d'heures d'utilisation du groupe électrogène, de la manière suivante :

- Pas de clignotement : 0–100 heures
- 1 clignotement : 100–200 heures
- 2 clignotements : 200–300 heures
- 3 clignotements : 300–400 heures
- 4 clignotements : 400–500 heures
- 5 clignotements : 500 heures ou plus

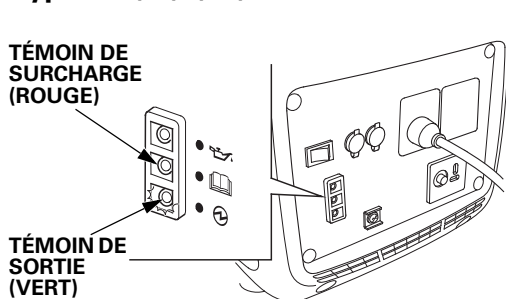
En cas de surcharge du groupe électrogène (voir page 26) ou de court-circuit de l'appareil branché, le témoin de sortie (vert) s'éteint, le témoin de surcharge (rouge) s'allume et le courant vers l'appareil raccordé est coupé.

Si le témoin de surcharge (rouge) s'allume, arrêter le moteur et rechercher la cause de la surcharge.

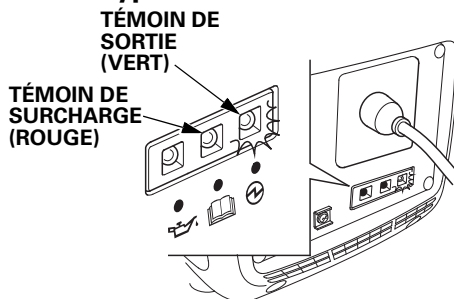
- Avant de connecter un appareil au groupe électrogène, vérifier s'il est en bon état et si son indice électrique ne dépasse pas celui du groupe électrogène. Connecter ensuite le câble d'alimentation de l'appareil et mettre le moteur en marche.

Si l'indicateur de surcharge clignote en permanence, cela peut induire une anomalie du convertisseur (voir page 51).

Types B1, E, F, G, W



Type B



REMARQUE :

Lorsqu'un moteur électrique est mis en marche, il se peut que le témoin de surcharge (rouge) et le témoin de sortie (vert) s'allument tous deux simultanément. Ceci est normal si le témoin de surcharge (rouge) s'éteint après environ 4 secondes. Si le témoin de surcharge (rouge) reste allumé, consulter le concessionnaire de groupes électrogènes Honda.

Utilisation en parallèle (Excepté type B)

Lire la section "UTILISATION DU GROUPE" avant de connecter tout équipement à utiliser.

N'utiliser qu'un boîtier de prise de courant pour fonctionnement en parallèle agréé par Honda (en option) lorsqu'on raccorde deux groupes électrogènes EU22i pour un fonctionnement en parallèle.

La plupart des moteurs des équipements branchés exigent une puissance supérieure à la puissance nominale lors du démarrage. S'assurer que les caractéristiques électriques nominales de l'outil ou de l'appareil ne dépassent pas la puissance nominale maximale du groupe électrogène.

La puissance maximum en fonctionnement en parallèle est :

EU22i et EU22i	4,4 kVA
EU22i et EU20i	4,2 kVA

Pour une utilisation en continu, ne pas dépasser la puissance nominale.

La puissance nominale en fonctionnement en parallèle est :

EU22i et EU22i	3,6 kVA
EU22i et EU20i	3,4 kVA

Dans les deux cas, la puissance totale requise (VA) de tous les appareils branchés doit être prise en compte.

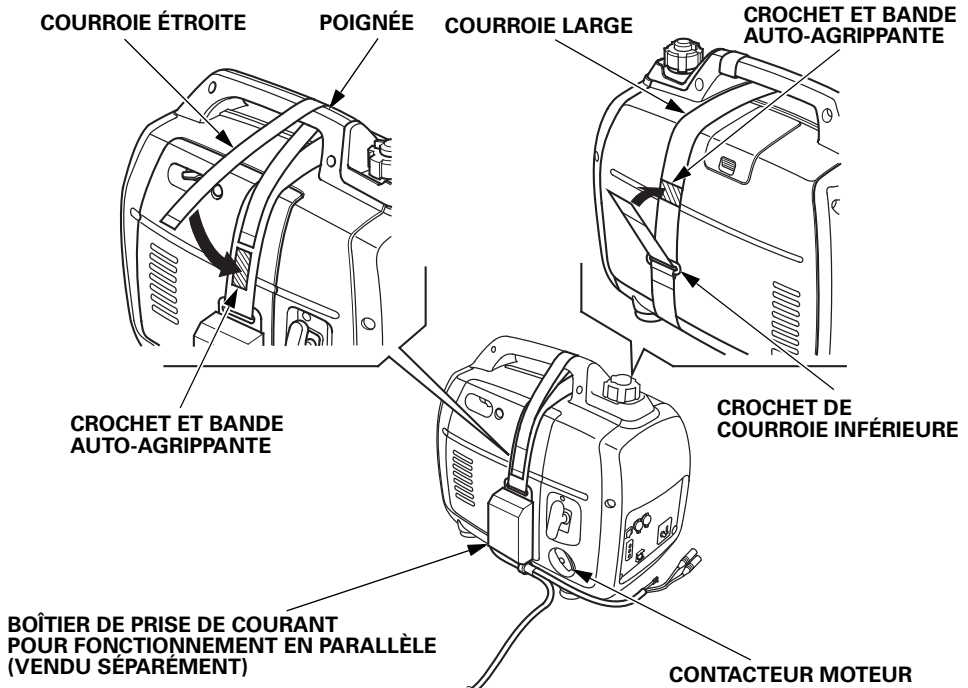
PRÉCAUTION :

Une surcharge importante qui provoque l'éclairement permanent du témoin de surcharge (rouge) peut endommager le groupe électrogène. Une surcharge marginale qui fait s'allumer temporairement le témoin de surcharge (rouge) peut raccourcir la durée de service du groupe électrogène.

⚠ ATTENTION

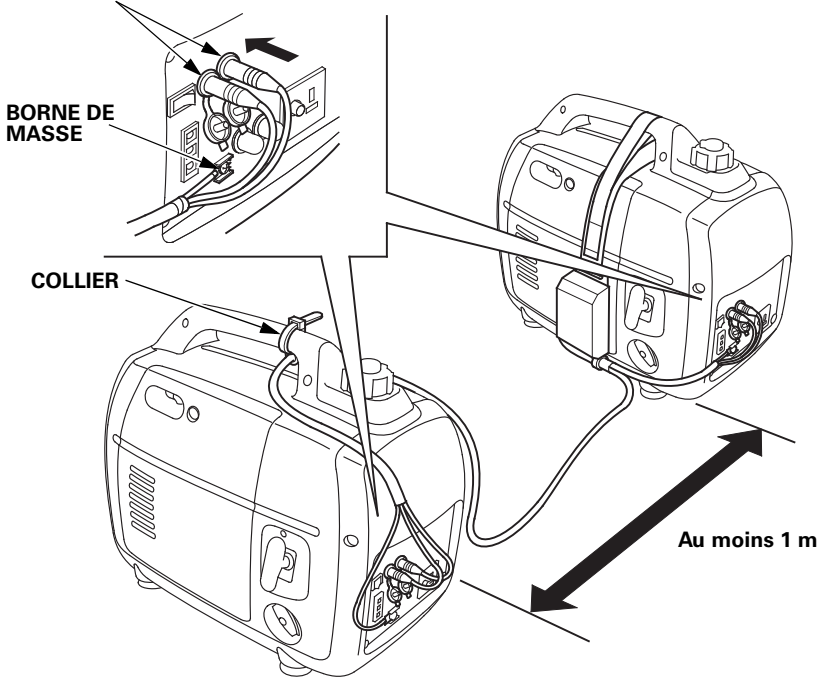
- Ne branchez jamais un autre modèle de générateur que ceux spécifiés (voir page 4).
- Ne jamais raccorder d'autre câble que celui du boîtier de prise de courant pour fonctionnement en parallèle.
- Arrêter le moteur avant de brancher ou débrancher le boîtier de prise de courant pour fonctionnement en parallèle.
- Pour un fonctionnement en solo, il faut débrancher le boîtier de prise de courant pour fonctionnement en parallèle.

1. Poser le boîtier de prise de courant pour fonctionnement en parallèle sur l'un des groupes électrogènes et le fixer avec le collier de fixation comme sur la figure.
 - Fixer la courroie sur le côté avant de la poignée.
 - Fixer la courroie étroite à la poignée avec la bande auto-agrippante.
 - Faire passer la courroie large supérieure à travers le crochet de courroie inférieure et la fixer avec le crochet et la bande auto-agrippante.
 - Faire passer les fils du boîtier de prise de courant pour fonctionnement en parallèle sous le contacteur moteur.
 - Poser les courroies sans laisser de mou.



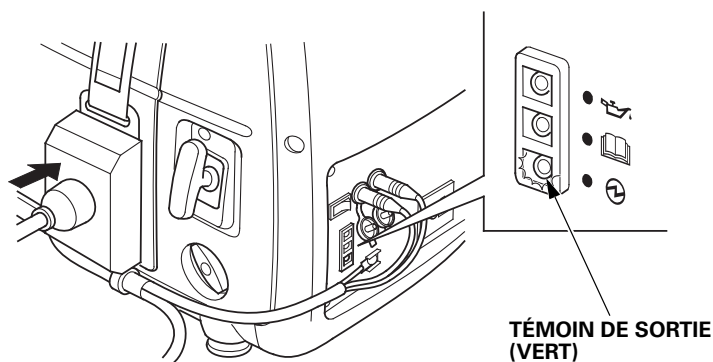
2. Brancher les connecteurs de câble et les bornes de masse du boîtier de prise de courant pour fonctionnement en parallèle aux groupes électrogènes et fixer la bride de câble à la poignée.
- Lors d'un fonctionnement en parallèle, placer les deux groupes électrogènes à au moins 1 mètre l'un de l'autre.
 - Faire passer le fil à travers la poignée et le serrer à la poignée à l'aide du collier.
 - Ne pas laisser de mou dans le fil du côté de la poignée de lanceur.
 - Brancher le fil le plus long au groupe électrogène sur lequel n'est pas installé le boîtier de prise de courant pour fonctionnement en parallèle.
 - Ne pas installer les groupes électrogènes avec leurs côtés d'échappement tournés l'une vers l'autre.

CONNECTEURS DE CÂBLE



3. Relier la borne de masse de l'un des groupes électrogènes à la terre.
- Si un appareil branché est relié à la terre, connecter également le groupe électrogène à la terre.

4. Mettre les moteurs en marche et s'assurer que les témoins de sortie (verts) s'allument.
5. Confirmer que l'appareil à utiliser est hors tension, et brancher l'appareil.
6. Allumer l'équipement branché à utiliser.



Fonctionnement en parallèle avec EU20i

Pour les instructions concernant la manière de brancher le câble de fonctionnement parallèle, reportez-vous aux pages 30 à 33.

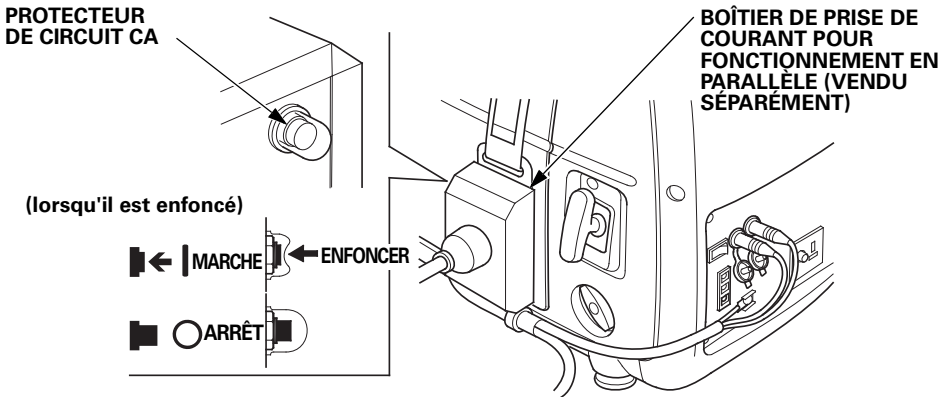
Un générateur EU22i peut uniquement être branché au générateur EU20i qui possède un numéro de série de cadre spécifique. Reportez-vous au tableau ci-dessous pour vérifier que votre générateur EU20i est compatible avec un EU22i.

Modèle	Plage de numéro de série du cadre
EU20i	EAAJ-2032188 et ultérieurs
	EACT-1000001 et ultérieurs

Protecteur de circuit CA (Sauf Type B)

Le protecteur de circuit CA du boîtier de prise de courant pour fonctionnement en parallèle se déclenche automatiquement (son bouton sort) en cas de court-circuit ou de surcharge importante du groupe électrogène à une prise.

Si un protecteur de circuit CA se déclenche automatiquement, s'assurer avant de le réenclencher (en enfonçant son bouton) que l'appareil branché fonctionne correctement et ne dépasse pas la capacité de charge nominale (16 A) du circuit.



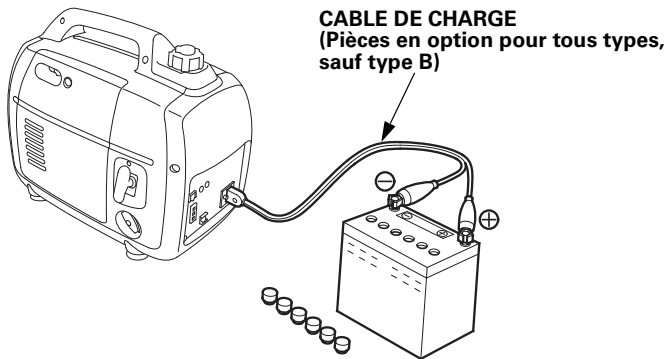
Applications CC (Excepté type B)

La prise CC peut être utilisée pour charger des batteries automobiles de 12 volts seulement.

REMARQUE :

Lors d'une utilisation CC, placer l'interrupteur Eco Throttle sur la position ARRÊT.

1. Connecter les câbles de charge à la prise CC du groupe électrogène, puis aux bornes de batterie.



⚠ ATTENTION

- Pour éviter la possibilité d'étincelle à proximité de la batterie, connecter en premier le câble de charge au groupe électrogène, puis à la batterie. Commencer par déconnecter le câble au niveau de la batterie.
- Avant de connecter le câble de charge à une batterie installée sur un véhicule, déconnecter le câble de batterie du véhicule. Reconnecter le câble de la batterie du véhicule une fois que les câbles de charge ont été enlevés. Le fait de procéder de cette manière élimine toute possibilité de court-circuit et de formation d'étincelles en cas de contact accidentel entre une borne de la batterie et le châssis ou la carrosserie du véhicule.

PRÉCAUTION :

- Ne pas essayer de faire démarrer le moteur d'une automobile tant que le groupe électrogène est connecté à sa batterie. Ceci pourrait endommager le groupe électrogène.
- Connecter la borne positive de la batterie au câble de charge positif. Ne pas inverser les câbles de charge, car cela pourrait endommager gravement le groupe électrogène et/ou la batterie.

⚠ ATTENTION

- Les batteries dégagent des gaz explosifs : S'ils s'enflamment, une explosion peut provoquer de graves brûlures de la peau ou des yeux. Assurer une ventilation adéquate lors de la mise en charge.
- **PRODUIT CHIMIQUE DANGEREUX** : L'électrolyte de batterie contient de l'acide sulfurique. Un contact avec les yeux ou la peau, même à travers un vêtement, peut provoquer de graves brûlures. Porter une visière et des vêtements de protection.
- Ne pas approcher de flammes et d'étincelles et ne pas fumer dans la zone de travail.

ANTIDOTE : Si de l'électrolyte rentre dans les yeux, rincer à fond avec de l'eau chaude pendant au moins 15 minutes et consulter immédiatement un médecin.

- **POISON** : L'électrolyte est un poison.

ANTIDOTE :

- Externe : Rincer abondamment à l'eau.
- Interne : Boire de grandes quantités d'eau ou de lait.

Ensuite, prendre de la magnésie hydratée ou de l'huile végétale et consulter immédiatement un médecin.

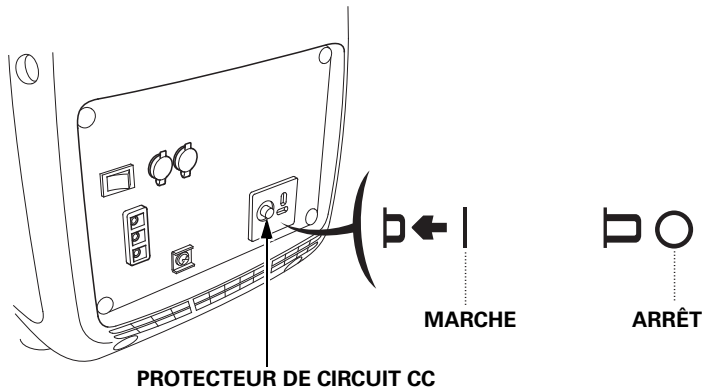
- **TENIR HORS DE PORTÉE DES ENFANTS.**

2. Démarrer le moteur.

REMARQUE :

- La prise CC peut être utilisée alors que l'alimentation secteur est utilisée.
- En cas de surcharge du circuit CC, son dispositif de protection se déclenche automatiquement (bouton sorti).

Dans ce cas, attendre quelques minutes avant de renfoncer le bouton pour remettre le groupe en marche.

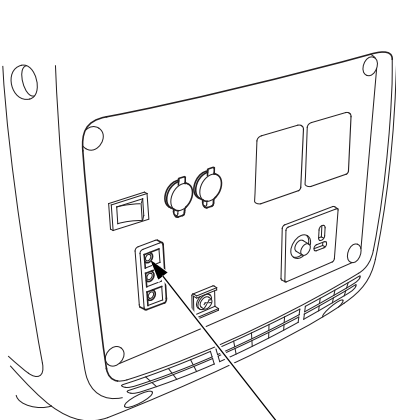


Systeme d'alerte d'huile

Le systeme d'alerte d'huile est conu pour empcher des dommages au moteur causs par une quantit d'huile insuffisante dans le carter moteur. Avant que le niveau d'huile du carter moteur ne tombe en-de d'une limite sre, le systeme d'alerte d'huile arrte automatiquement le moteur (le contacteur moteur reste en position MARCHE).

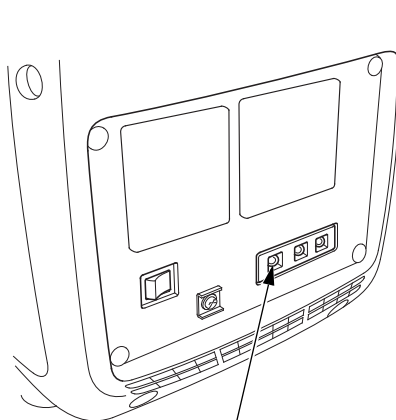
Si le systeme d'alerte d'huile arrte le moteur, le tmoin d'alerte d'huile (rouge) s'allume lorsqu'on actionne le dmarreur, et le moteur ne tourne pas. Dans un tel cas, vrifier le niveau d'huile moteur (voir page 16).

Types B1, E, F, G, W



TMOIN D'ALERTE D'HUILE (ROUGE)

Type B

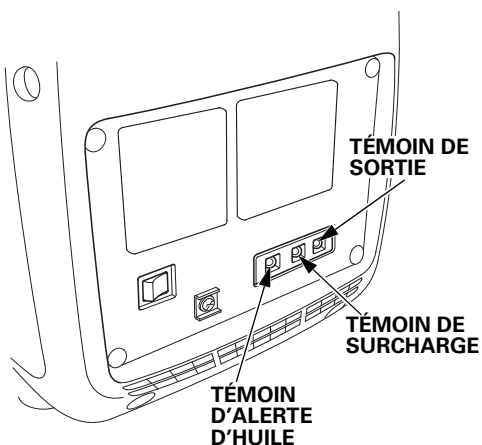
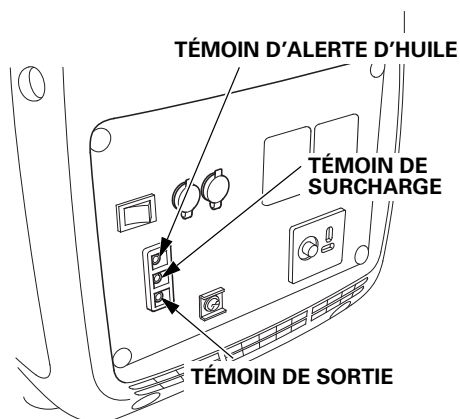


TMOIN D'ALERTE D'HUILE (ROUGE)

Schémas de l'éclairage LED

Types B1, E, F, G, W

Type B



État	Cause possible	Témoin de sortie	Témoin de surcharge	Témoin d'alerte d'huile
Normal	Fonctionnement normal	○	●	●
Dysfonctionnement	Panne du convertisseur	●	☼	●
Anormal	Surtension de sortie	●	○	●
	Surchauffe du convertisseur	●	○	●
Attention	Huile moteur basse	●	●	○

○ : MARCHÉ

● : ARRÊT

☼ : Clignotement

Reportez-vous au *DIAGNOSTIC DES PANNES* en page 51 pour le diagnostic des pannes.

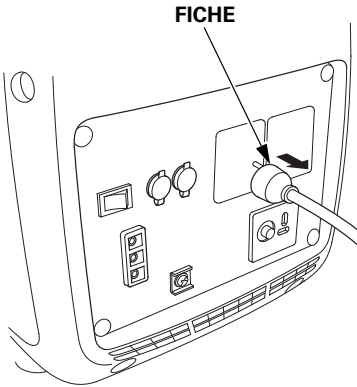
7. ARRÊT DU MOTEUR

Pour arrêter le moteur en urgence, placer le contacteur de démarrage en position ARRÊT.

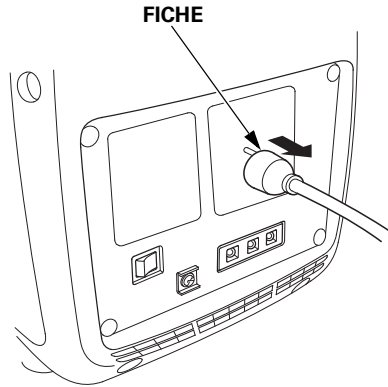
EN USAGE NORMAL :

1. Mettre l'équipement connecté hors tension, et tirer la fiche insérée.

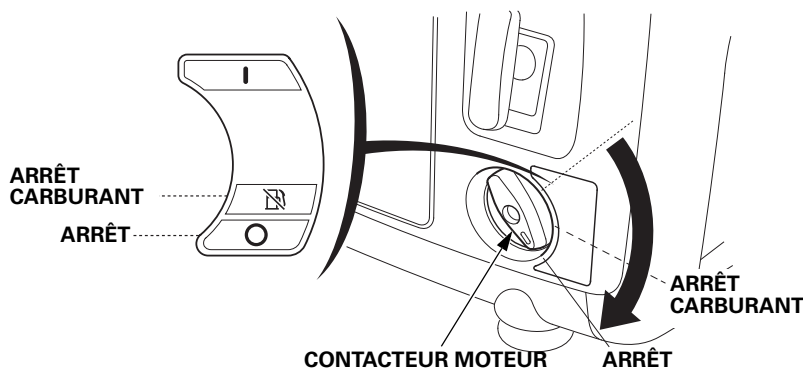
Types B1, E, F, G, W



Type B



2. Mettre le contacteur moteur en position ARRÊT.

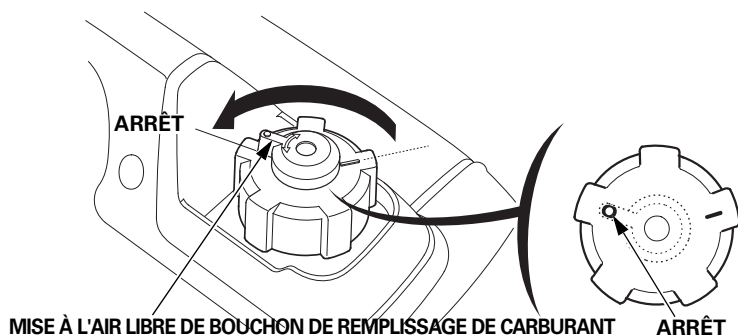


REMARQUE :

Faire fonctionner le générateur en position ARRÊT CARBURANT avant de mettre le contacteur moteur en position ARRÊT peut réduire le carburant dans le carburateur.

- Lors de l'utilisation de la position ARRÊT CARBURANT, le générateur continuera à fonctionner pendant plusieurs minutes jusqu'à ce que le carburant dans le carburateur soit consommé, ensuite, le moteur s'arrêtera.
- Mettre le contacteur moteur en position ARRÊT après l'arrêt du moteur.
- Après l'arrêt du moteur à l'aide de la position ARRÊT CARBURANT, le redémarrage du moteur nécessitera de tirer à plusieurs reprises sur le démarreur.

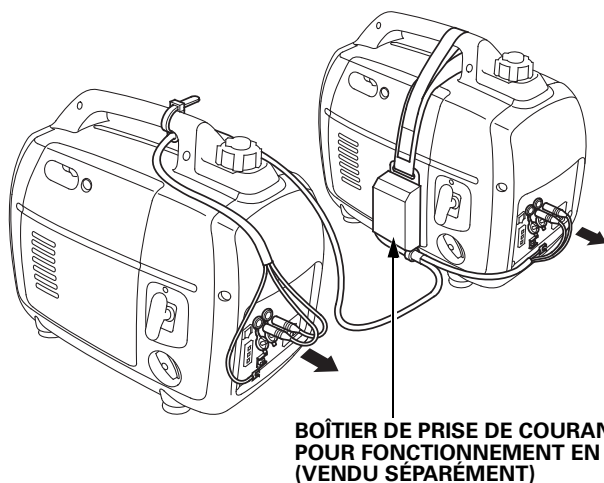
3. Tourner la mise à l'air libre du bouchon de remplissage de carburant à fond dans le sens inverse des aiguilles d'une montre sur la position ARRÊT.



PRÉCAUTION :

S'assurer que la mise à l'air libre de bouchon de remplissage de carburant et le contacteur moteur se trouvent sur la position ARRÊT lors de l'arrêt, du transport et/ou du remisage du groupe électrogène.

-
4. Si deux groupes électrogènes ont été raccordés, débrancher le câble de fonctionnement en parallèle après avoir arrêté les moteurs (Excepté type B).



REMARQUE :

Si le générateur sera inutilisé pendant une longue période, reportez-vous en page 48 pour plus d'informations sur la *Avant de remiser l'appareil pendant une période prolongée.*

8. ENTRETIEN

L'objectif du programme d'entretien et de réglage est de maintenir le générateur dans les meilleures conditions de fonctionnement possibles. Inspecter et entretenir l'appareil conformément aux indications du tableau ci-dessous.

⚠ ATTENTION

S'assurer que le moteur est arrêté avant d'effectuer un entretien ou une réparation. Ceci éliminera plusieurs risques potentiels :

- **Empoisonnement par le monoxyde de carbone présent dans les gaz d'échappement. Avant de faire tourner le moteur, toujours s'assurer que l'aération est suffisante.**
- **Brûlures provoquées par des pièces à haute température. Attendre que le moteur et le système d'échappement soient froids avant de les toucher.**
- **Blessures par pièces mobiles. Ne faire tourner le moteur que si cela est indiqué dans le manuel.**

Le silencieux devient brûlant pendant le fonctionnement et reste chaud quelques temps après l'arrêt du moteur. Prendre garde de ne pas toucher le silencieux tant qu'il est brûlant. Attendre que le moteur se soit refroidi avant toute intervention.

PRÉCAUTION :

Utiliser des pièces d'origine Honda ou leurs équivalents. Des pièces de rechange de qualité non équivalente peuvent endommager le groupe électrogène.

Programme d'entretien

INTERVALLE D'ENTRETIEN REGULIER (1) Action à effectuer à chaque mois ou après chaque durée de fonctionnement préconisée, au premier des deux termes échus.		À chaque utilisation	Premier mois ou 20 h	Tous les 3 mois ou 50 h	Tous les 6 mois ou 100 h	Tous les ans ou 200 h	page
ELEMENT							
Huile moteur	Contrôler le niveau	o					15
	Remplacer		o		o		43
Filtre à air	Contrôler	o					19
	Nettoyer			o (2)			44
Bougie	Contrôler-Régler				o		45
	Remplacer					o	
Jeu aux soupapes	Contrôler-Régler					o (3)	-
Chambre de combustion	Nettoyer	Toutes les 300 h (3)					-
Réservoir de carburant et filtre	Nettoyer				o (3)		-
Tuyau de carburant	Contrôler	Tous les 2 ans (remplacer si nécessaire) (3)					-

REMARQUE : (1) Pour un usage commercial, consigner les heures de fonctionnement pour déterminer les intervalles d'entretien adéquats.

(2) En cas d'utilisation dans des endroits poussiéreux, augmenter la fréquence d'entretien.

(3) L'entretien de ces éléments doit être confié à votre concessionnaire, à moins que l'utilisateur ne dispose des outils appropriés et ne soit mécaniquement compétent. Se reporter au Manuel d'atelier Honda pour les procédures d'entretien.

1. REMPLACEMENT DE L'HUILE

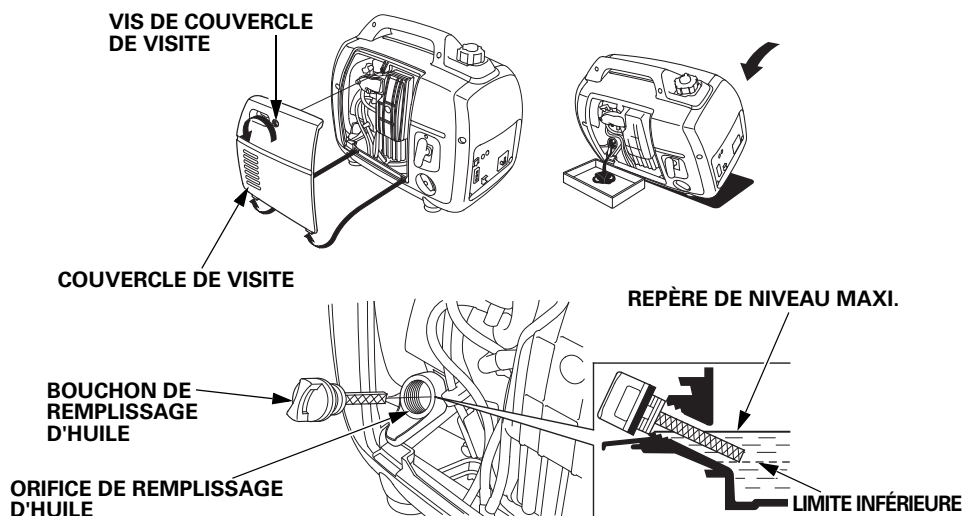
Vidanger l'huile lorsque le moteur est chaud afin de garantir une vidange rapide et complète.

PRÉCAUTION :

Veiller à placer le contacteur moteur et la mise à l'air libre de bouchon de remplissage de carburant en position ARRÊT avant de procéder à la vidange.

1. Desserrer la vis du couvercle de visite et déposer le couvercle de visite.
2. Déposer le bouchon de remplissage d'huile.
3. Évacuer totalement l'huile usagée dans un bac approprié.
4. Faire l'appoint d'huile recommandée (voir page 15), et vérifier le niveau d'huile.
5. Essuyer toute huile renversée sur le groupe électrogène.
6. Mettre le bouchon de remplissage d'huile.
7. Reposer le couvercle de visite et serrer à fond la vis du couvercle de visite.

CONTENANCE EN HUILE MOTEUR : 0,44 litre



Se laver les mains au savon et à l'eau après avoir manipulé l'huile usagée.

REMARQUE :

Respecter la réglementation environnementale en vigueur pour la mise au rebut de l'huile usagée. Nous vous suggérons de la transporter dans un bidon fermé hermétiquement jusqu'à la station-service la plus proche pour recyclage. Ne pas la jeter aux ordures ni la déverser au sol.

2. ENTRETIEN DU FILTRE A AIR

Un filtre à air encrassé limite l'alimentation en air du carburateur. Afin de prévenir tout dysfonctionnement du carburateur, procéder régulièrement à l'entretien du filtre à air. Entretien plus fréquent si le groupe électrogène est utilisé en zones extrêmement poussiéreuses.

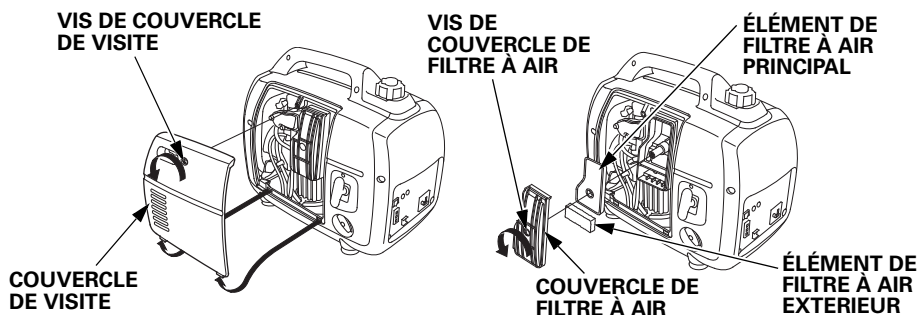
⚠ ATTENTION

Ne pas utiliser d'essence ou de solvants à faible point d'éclair pour le nettoyage. Ces produits sont inflammables et peuvent exploser sous certaines conditions.

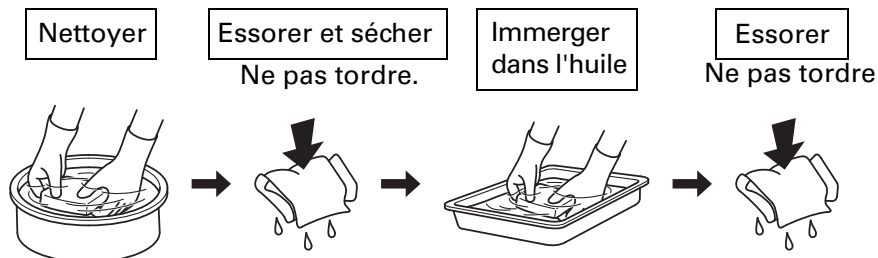
PRÉCAUTION :

Ne jamais utiliser le groupe électrogène sans filtre à air. Cela peut entraîner une usure prématurée du moteur.

1. Desserrer la vis du couvercle de visite et déposer le couvercle de visite.
2. Desserrer la vis du couvercle de filtre à air et déposer le couvercle de filtre à air.



3. Nettoyer dans de l'eau savonneuse chaude, rincer et laisser sécher complètement ou nettoyer dans un solvant ininflammable et laisser sécher. Tremper les éléments de filtre à air principal et extérieur dans de l'huile moteur propre, puis en essorer l'huile en excès. Le moteur fumera lors du démarrage initial si trop d'huile est restée dans la mousse.



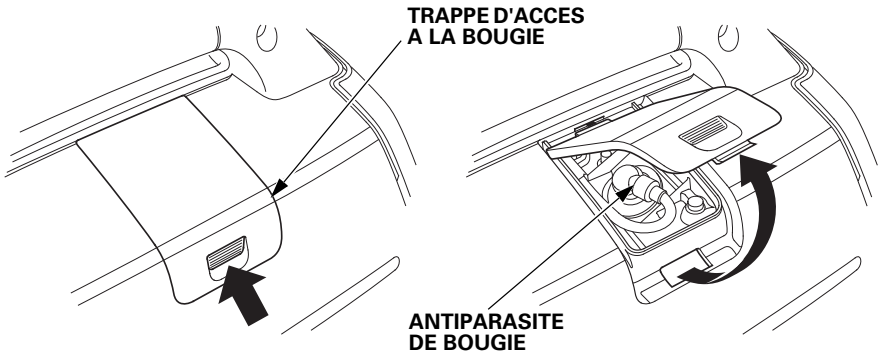
4. Reposer les éléments de filtre à air principal et extérieur et le couvercle de filtre à air. Serrer à fond la vis du couvercle du filtre à air.
5. Reposer le couvercle de visite et serrer à fond la vis du couvercle de visite.

3. ENTRETIEN DE LA BOUGIE

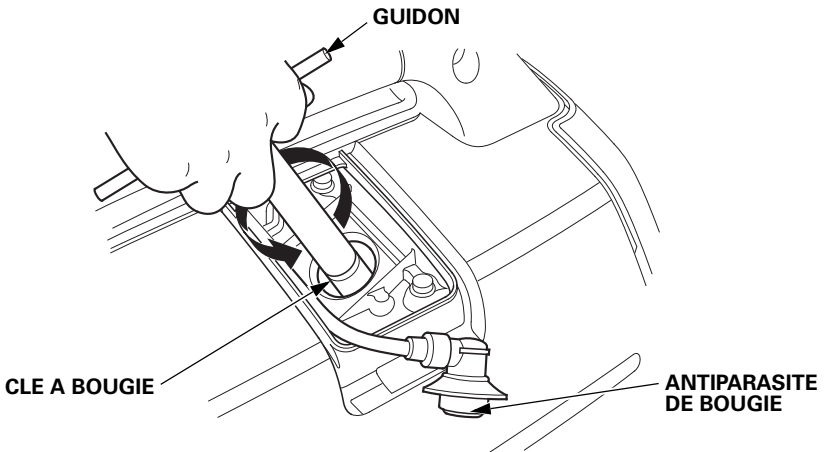
BOUGIE RECOMMANDÉE : CR5HSB (NGK)

Pour assurer un bon fonctionnement du moteur, l'écartement des électrodes de la bougie doit être correct et il ne doit pas y avoir des traces de dépôts.

1. Déposer le couvercle de maintenance de bougie d'allumage.



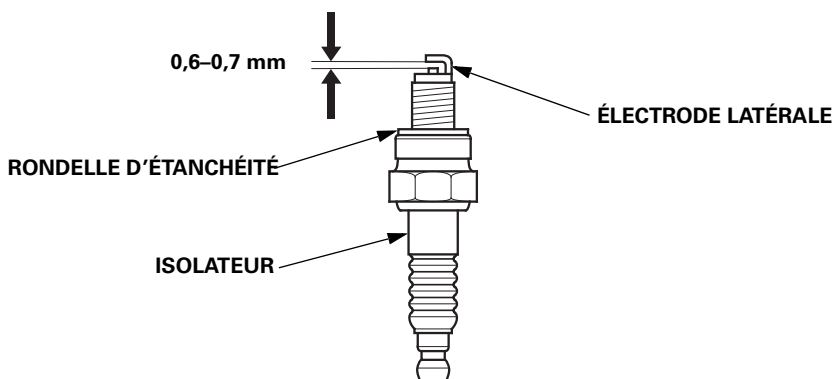
2. Déposer l'antiparasite de bougie.
3. Nettoyer toute saleté accumulée autour du culot de la bougie.
4. Utiliser un clé à bougie pour déposer la bougie d'allumage.



-
5. Contrôler visuellement l'état de la bougie. La mettre au rebut si son isolant est fendillé, écaillé ou encrassé. Nettoyer la bougie avec une brosse métallique si elle doit être réutilisée.
 6. Mesurer l'écartement des électrodes avec une jauge d'épaisseur. Si nécessaire, le corriger en repliant soigneusement l'électrode latérale.

L'écartement des électrodes doit être de :

0,6–0,7 mm



7. Visser la bougie à la main pour empêcher la détérioration des filets.
8. Si la bougie est neuve, la visser à la main jusqu'à ce qu'elle vienne en butée, puis la serrer d'encore 1/2 tour avec une pour comprimer sa rondelle d'étanchéité. Si elle est usagée, la serrer de 1/8 à 1/4 de tour supplémentaire après butée.
9. Réinstaller solidement l'antiparasite de bougie d'allumage sur la bougie d'allumage.
10. Reposer la trappe d'accès à la bougie d'allumage.

PRÉCAUTION :

- **La bougie d'allumage doit être bien serrée. Si elle est mal serrée, elle risque de devenir très chaude, ce qui peut entraîner une détérioration du groupe électrogène.**
- **Ne pas utiliser une bougie d'allumage d'une plage thermique incorrecte.**

9. TRANSPORT/REMISAGE

Pour éviter de répandre l'essence lors du transport ou pendant un remisage provisoire, le groupe électrogène doit être maintenu à la verticale dans sa position d'utilisation normale, avec le contacteur moteur en position ARRÊT. Tourner la mise à l'air libre de bouchon de remplissage de carburant à fond dans le sens inverse des aiguilles d'une montre sur la position ARRÊT. Laisser le moteur se refroidir complètement avant de tourner le levier de mise à l'air libre de bouchon de remplissage de carburant sur la position ARRÊT.

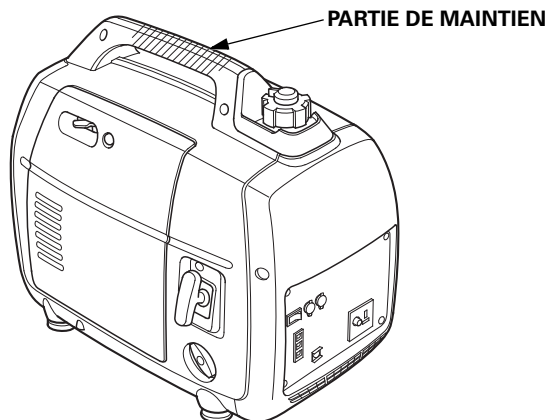
⚠ ATTENTION

Transport du groupe électrogène :

- **Ne pas trop remplir le réservoir (il ne doit pas y avoir d'essence dans le goulot de dispositif de remplissage).**
- **Ne pas faire fonctionner le groupe électrogène lorsqu'il se trouve sur un véhicule. Descendre le groupe électrogène du véhicule et l'utiliser dans un endroit bien aéré.**
- **Éviter un endroit exposé aux rayons directs du soleil en mettant le groupe électrogène sur un véhicule. Si le groupe électrogène est laissé pendant de nombreuses heures dans un véhicule fermé, la température élevée à l'intérieur du véhicule peut faire se vaporiser l'essence, entraînant une possible explosion.**
- **Ne pas conduire sur une route accidentée pendant une période prolongée avec le groupe électrogène à bord. Si vous devez transporter le groupe électrogène sur une route accidentée, vidanger à l'avance l'essence du groupe électrogène.**

REMARQUE :

Pour transporter le groupe électrogène, le tenir par la partie de maintien (parties grisées sur la figure ci-dessous).



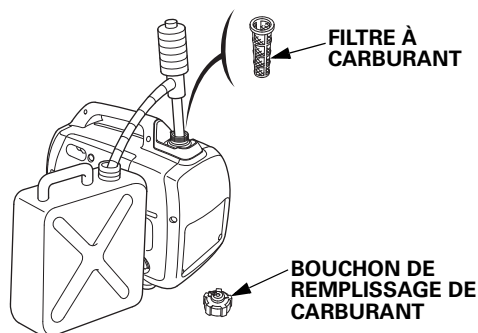
Avant de remiser l'appareil pendant une période prolongée :

1. S'assurer que le lieu de remisage n'est pas excessivement humide ou poussiéreux.
2. Vidanger le carburant.

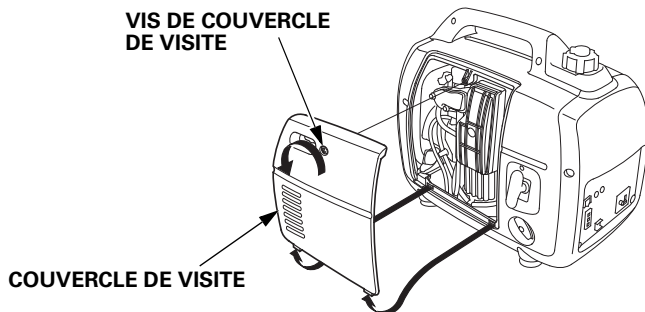
⚠ ATTENTION

L'essence est hautement inflammable et peut exploser dans certaines conditions. Effectuer la tâche dans une zone bien aérée avec le moteur arrêté. Ne pas fumer ni autoriser de flammes ou d'étincelles dans la zone pendant cette procédure.

- a. Dévisser le bouchon de remplissage de carburant (voir page 17) et retirer le filtre à carburant puis vidanger l'essence du réservoir de carburant dans un récipient convenable. Pour vidanger le réservoir, nous recommandons d'utiliser une pompe à essence à main en vente dans le commerce. Ne pas utiliser une pompe électrique. Reposer le filtre à carburant et le bouchon de remplissage de carburant.

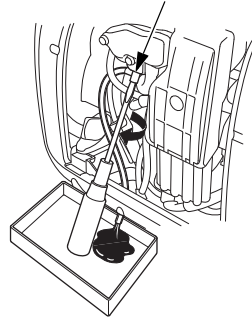


- b. Desserrer la vis du couvercle de visite et déposer le couvercle de visite (voir page 43).

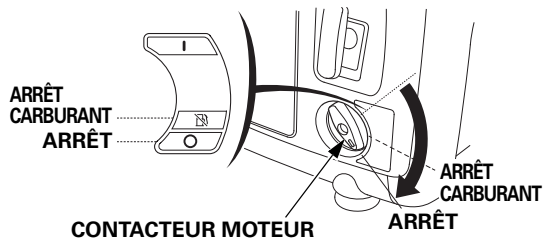


- c. Desserrer la vis de vidange de carburateur, et vidanger l'essence du carburateur dans un récipient approprié.

VIS DE VIDANGE DU CARBURATEUR

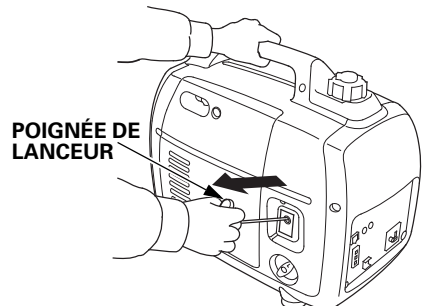


- d. Retirer le couvercle de visite de bougie et le bouchon de bougie (voir page 45).
e. Placer le contacteur moteur sur la position MARCHÉ (voir page 20).
f. Tirer doucement la poignée de lanceur (voir page 21) 3 ou 4 fois, pour vidanger l'essence dans un récipient convenable.
g. Mettre le contacteur moteur en position ARRÊT.



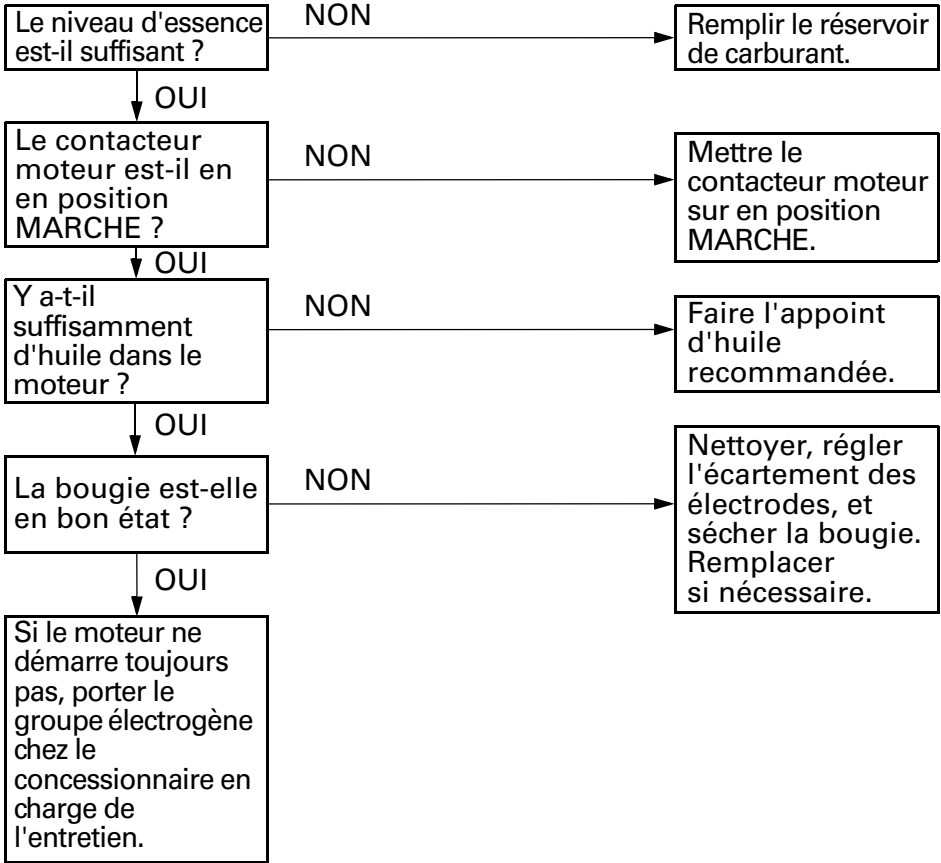
- h. Serrer la vis de vidange de carburateur.

3. Renouveler l'huile moteur (voir page 43).
4. Déposer la bougie d'allumage et verser une cuillerée d'huile moteur propre dans le cylindre. Lancer le moteur de plusieurs tours pour distribuer l'huile, puis reposer la bougie (voir page 45).
5. Tirer lentement sur la poignée de lanceur jusqu'à ce qu'une résistance soit ressentie. À ce moment-là, le piston se trouve sur sa course de compression et les soupapes d'admission et d'échappement sont toutes deux fermées. Le fait de remettre le moteur dans cet état contribue à le protéger contre la corrosion interne.

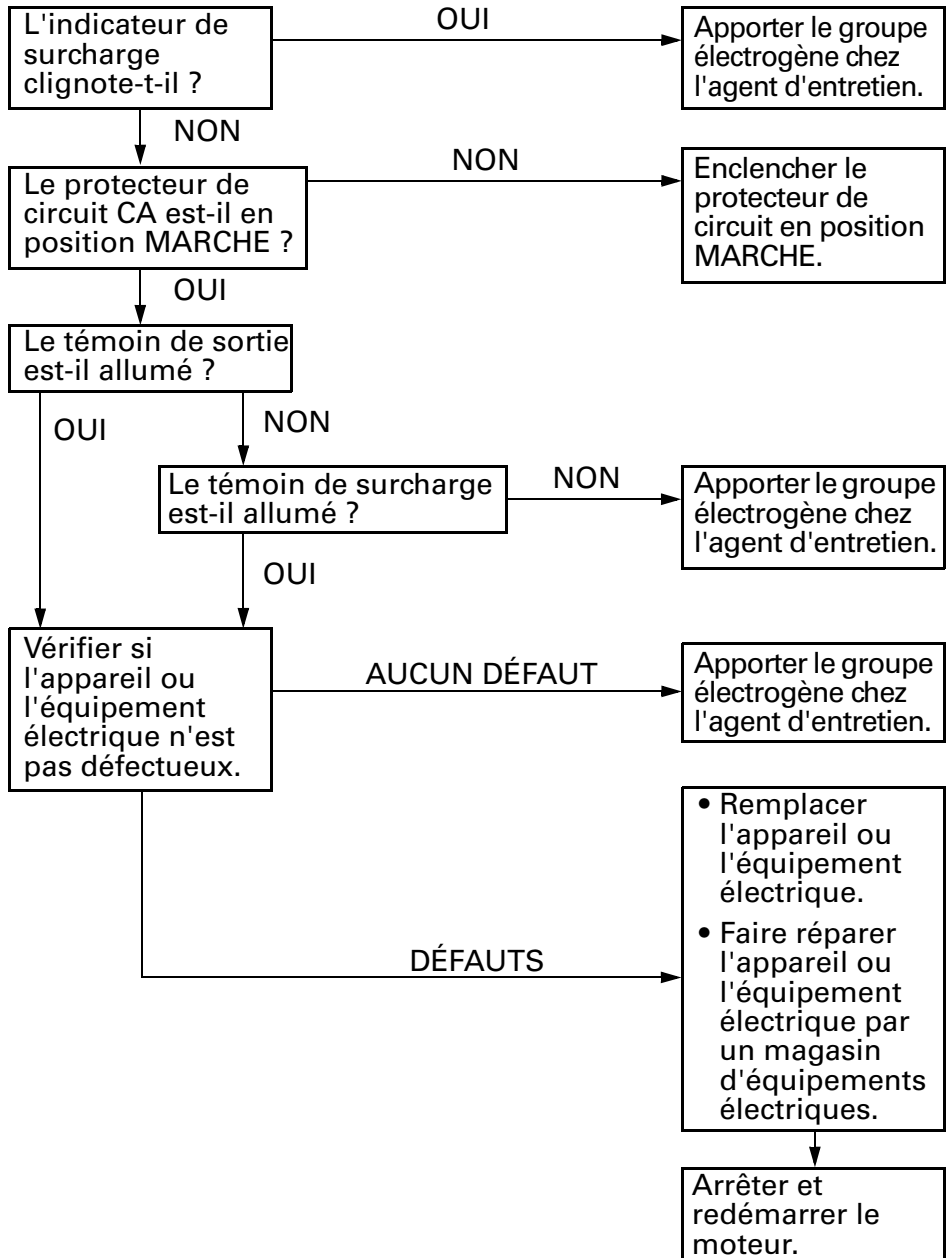


10. DEPANNAGE

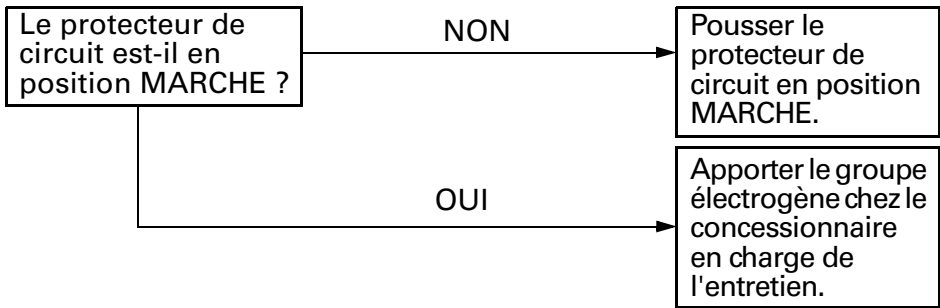
Si le moteur ne démarre pas :



L'appareil ne fonctionne pas :



Absence de courant à la prise CC (Excepté type B) :



11. CARACTÉRISTIQUES

Dimensions et poids

Modèle	EU22iT		
Type	E, W, B1, F	G	B
Code de description	EAMT		
Longueur	509 mm	519 mm	541 mm
Largeur	290 mm		
Hauteur	425 mm		
Poids à sec	21,2 kg		

Moteur

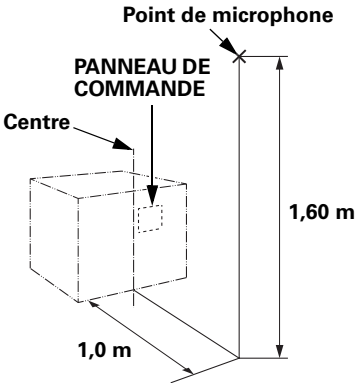
Modèle	GXR120T
Type de moteur	Monocylindre 4 temps à arbre à cames en tête
Cylindrée	121 cm ³
Alésagecourse	60,0×43,0 mm
Taux de compression	8,5 : 1
Régime moteur	2 800–4 500 tr/min 4 000–4 500 tr/min (Interrupteur Eco throttle en position ARRÊT)
Refroidissement	Forcé par circulation d'air
Allumage	Complètement transistorisé
Contenance en huile moteur	0,44 litre
Contenance du réservoir de carburant	3,6 litres
Bougie	CR5HSB (NGK)
Émissions de dioxyde de carbone (CO ₂)*	931 g/kW·hr

* Cette mesure CO₂ est le résultat du texte sur un cycle fixé dans des conditions de laboratoire d'un moteur (parent) représentant le type de moteur (famille de moteur) et n'impliquera ni n'induera aucune garantie de la performance d'un moteur particulier.

Génératrice

Modèle		EU22iT	
Type		E, W, B1, F, G	B
Puissance CA	Tension nominale	230 V	110 V
	Fréquence nominale	50 Hz	
	Courant nominal	7,8 A	16,4 A
	Puissance nominale	1,8 kVA	
	Puissance maximale	2,2 kVA	
Sortie CC nominale		Uniquement pour batteries automobiles 12 V. 12 V, 8,3 A	–

Bruit

Modèle	EU22iT
Type	E, W, B1, F, G, B
Niveau de pression acoustique au poste de travail (2006/42/CE)	72 dB (A) (avec interrupteur Eco-Throttle en position MARCHE)
	
Incertitude	2 dB (A)
Niveau de puissance acoustique mesuré (2000/14/CE, 2005/88/CE)	88 dB (A) (avec interrupteur Eco-Throttle en position MARCHE)
Incertitude	2 dB (A)
Niveau de puissance acoustique garanti (2000/14/CE, 2005/88/CE)	90 dB (A) (avec interrupteur Eco-Throttle en position MARCHE)

“Les chiffres cités sont des niveaux d'émission et ne correspondent pas nécessairement à des niveaux sûrs pour le travail. Bien qu'une corrélation existe entre les niveaux d'émission et d'exposition, ceci ne peut pas être utilisé de manière fiable pour déterminer s'il convient ou non de prendre des précautions supplémentaires. Parmi les facteurs ayant une incidence sur le niveau réel d'exposition de la main-d'œuvre, on compte les caractéristiques de la salle de travail, les autres sources de bruit, etc. et notamment le nombre de machines et autres opérations voisines et la durée d'exposition au bruit de l'opérateur. Il faut également noter que le niveau d'exposition autorisé diffère selon les pays. Ces informations permettront, toutefois, à l'utilisateur de la machine de mieux évaluer les dangers et risques”

REMARQUE :

Les caractéristiques sont susceptibles d'être modifiées sans préavis.

12. SCHÉMA DE CÂBLAGE

INDEX

(Troisième de couverture)

Types B1, E, F, G, W	W-1
Type B.....	W-2

ABREVIATIONS

Symbole Désignation

AC,CP	Protecteur de circuit CA
ACOR	Prise de sortie CA
(B1)	Type B1
Cot	Prise pour fonctionnement en parallèle
CPB	Bloc panneau de commande
DC,CP	Protecteur de circuit CC
DC,D	Diode CC
DC,NF	Filtre antiparasite CC
DCOR	Prise de sortie CC
DC,W	Enroulement CC
EcoSw	Interrupteur Eco Throttle
EgB	Bloc moteur
EgG	Masse de moteur
ESw	Commutateur du moteur
ExW	Enroulement d'excitation
FrB	Bloc châssis
FrG	Masse de châssis
FTU	Unité Full-Transistor
(F)	Type F
(G, E)	Types G, E
GeB	Bloc génératrice
GT	Borne de masse
IB	Bloc onduleur
IgC	Bobine d'allumage
IU	Unité onduleur
MW	Enroulement principal
OAL	Témoin d'alerte d'huile
OAU	Unité d'alerte d'huile
OI	Témoin de surcharge
OLSw	Contacteur de niveau d'huile
PC	Bobine de pulsation
PL	Témoin de sortie
RBx	Boîtier de prise pour fonctionnement en parallèle
SP	Bougie

Symbole Désignation

SpU	Unité bougie
StpM	Moteur pas à pas (Commande des gaz)
SW	Enroulement secondaire
To Ge	Vers génératrice
(W)	Type W

CODE COULEUR DE FIL

BI	NOIR
Y	JAUNE
Bu	BLEU
G	VERT
R	ROUGE
W	BLANC
Br	MARRON
Lg	VERT CLAIR
Gr	GRIS
Sb	BLEU CIEL
O	ORANGE
P	ROSE

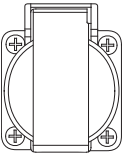

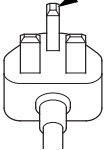
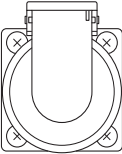

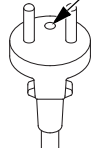
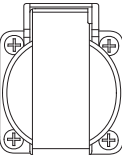

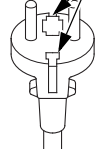
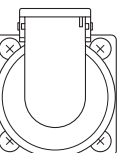
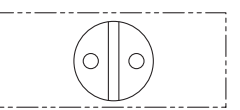
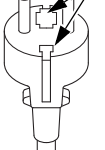
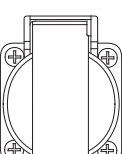

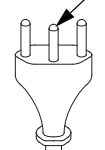
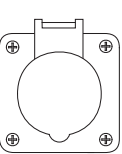
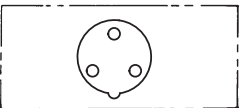
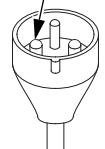
CONTACTEUR MOTEUR

	G	BI
ARRÊT	○	○
MARCHE		

INTERRUPTEUR ECO

	R/W	R/Y
MARCHE		
ARRÊT	○	○

PRISE

Type	Forme		Prise
B1			 BROCHE DE MASSE
F			 BROCHE DE MASSE
E			 BROCHE DE MASSE
G			 BROCHE DE MASSE
W			 BROCHE DE MASSE
B			 BROCHE DE MASSE

MEMO

Honda EU22i

BEDIENUNGSANLEITUNG
Originalbetriebsanleitung



Wir danken Ihnen für den Kauf eines Honda-Generators.

Diese Anleitung erläutert den Betrieb und die Wartungsschritte für das Generatormodell EU22i.

Das Handbuch enthält alle zur Zeit der Drucklegung erhältlichen neuesten Informationen.

Honda Motor Co., Ltd. behält sich das Recht vor, jederzeit ohne Vorankündigung Änderungen vorzunehmen, ohne irgendwelche Verpflichtungen einzugehen.

Kein Teil dieser Veröffentlichung darf ohne schriftliche Genehmigung reproduziert werden.

Diese Anleitung muss als Teil des Generators betrachtet werden und bei seinem Verkauf weitergegeben werden.

Widmen Sie Ihre besondere Aufmerksamkeit denjenigen Hinweisen und Anweisungen, die wie folgt gekennzeichnet sind:

▲ WARNUNG Weist bei Nichtbefolgung auf schwere Verletzungen oder Todesfolge hin.

VORSICHT: Weist bei Nichtbefolgung auf Verletzungen oder Beschädigung der Ausrüstung hin.

HINWEIS: Vermittelt hilfreiche Informationen.

Falls Störungen auftreten, oder wenn Sie irgendwelche Fragen zum Generator haben, wenden Sie sich an einen autorisierten Honda-Händler.

▲ WARNUNG
Honda-Generatoren sind für einen sicheren und zuverlässigen Betrieb ausgelegt, sofern sie entsprechend den Anweisungen betrieben werden. Lesen Sie die Bedienungsanleitung gründlich, bevor Sie den Generator in Betrieb nehmen. Anderenfalls können Personenverletzungen und/oder Geräteschäden verursacht werden.

Die Abbildung kann je nach Typ unterschiedlich sein.

INHALT

1. SICHERHEITSANWEISUNGEN	3
2. LAGE DER SICHERHEITSAUFKLEBER	7
• Lage der CE-Spezifizierung und des Geräuschpegel-Hinweisschilds.....	10
3. BEZEICHNUNG DER TEILE.....	11
4. ÜBERPRÜFUNGEN VOR INBETRIEBNAHME	15
5. ANLASSEN DES MOTORS.....	20
• Vergasermodifikation für Betrieb in großer Höhenlage	23
6. BENÜTZUNG DES GENERATORS.....	24
7. ABSTELLEN DES MOTORS.....	39
8. WARTUNG	42
9. TRANSPORT/LAGERUNG	47
10.FEHLERSUCHE	50
11.TECHNISCHE DATEN	53
12.SCHALTPLAN	56
STECKDOSE.....	57
ADRESSEN DER HAUPT-Honda-VERTEILER.....	Auf der hinteren Umschlagseite
"EU-Konformitätserklärung"	
INHALTSÜBERSICHT.....	Auf der hinteren Umschlagseite

1. SICHERHEITSANWEISUNGEN

WICHTIGER SICHERHEITSHINWEIS

Honda-Generatoren sind zum Betrieb von elektrischen Ausrüstungen mit geeigneten Leistungsanforderungen ausgelegt. Andere Anwendungen können zu Verletzungen der Bedienungsperson und zu einer Beschädigung des Generators sowie anderen Sachschäden führen.

Die meisten Verletzungen und Sachschäden lassen sich vermeiden, wenn alle Anweisungen in dieser Anleitung und alle am Generator angebrachten Anweisungen befolgt werden. Nachfolgend sind die üblichsten Gefahren mit entsprechenden Schutzmaßnahmen beschrieben.

Der Generator darf in keiner Weise modifiziert werden. Dies kann einen Unfall und eine Beschädigung des Generators sowie von Geräten zur Folge haben.

Bei einer Manipulationen des Motors erlöscht die EU-Typgenehmigung dieses Motors.

- Keine Verlängerung am Auspufftopf anschließen.
- Keine Veränderungen am Ansaugsystem vornehmen.
- Den Regler nicht einstellen.
- Das Bedienpult nicht abnehmen und dessen Verkabelung nicht verändern.

Verantwortung der Bedienungsperson

Sie müssen den Generator in einem Notfall schnell stoppen können.

Machen Sie sich mit allen Bedienungselementen, Ausgangssteckdosen und Anschlüssen des Generators vertraut.

Vergewissern Sie sich, dass jede Person, die den Generator bedient, richtig eingewiesen worden ist. Sorgen Sie dafür, dass Kinder ohne Aufsicht keinen Zugang zum Generator haben.

Befolgen Sie die Anweisungen in diesem Handbuch hinsichtlich des Gebrauchs und der Wartung des Generators. Nichtbeachtung oder falsche Ausführung der gegebenen Anweisungen kann zu Unfällen, z. B. durch Stromschläge, und zu einer Verschlechterung der Abgasbeschaffenheit führen.

Beachten Sie bitte alle für den Einsatzbereich des Generators geltenden Vorschriften und Gesetze.

Benzin und Öl sind giftig. Vor Gebrauch die Anweisungen des jeweiligen Herstellers lesen und befolgen.

Den Generator auf einer festen, ebenen Stelle absetzen.

Den Generator nicht betreiben, wenn irgendeine Abdeckung abgenommen ist. Dies würde erhöhte Unfallgefahr bedeuten, und Sie könnten sich mit einer Hand oder einem Fuß im Generator verfangen.

Bezüglich Zerlegungs- und Wartungsverfahren des Generators, die in diesem Handbuch nicht beschrieben sind, wenden Sie sich bitte an Ihren Honda-Händler.

Kohlenmonoxid-Gefahr

Abgase enthalten Kohlenmonoxid, ein farb- und geruchloses Giftgas. Einatmung von Abgasen kann Bewusstlosigkeit verursachen und tödlich wirken.

Wenn Sie den Generator in einem geschlossenen oder auch nur teilweise geschlossenen Raum laufen lassen, kann die Luft, die Sie einatmen, eine gefährliche Abgasmenge enthalten.

Der Generator darf auf keinen Fall in einer Garage, in einem Haus bzw. in der Nähe geöffneter Fenster oder Türen betrieben werden.

Stromschlaggefahr

Der Generator erzeugt so viel elektrische Energie, dass Missbrauch zu Stromschlägen führen kann, die tödlich ausgehen können.

Gebrauch eines Generator oder elektrischen Gerätes unter feuchten Bedingungen, wie z. B. bei Regen oder Schnee, in der Nähe eines Schwimmbeckens oder einer Beregnungsanlage, bzw. mit nassen Händen, kann zu tödlichen Stromschlägen führen.

Sorgen Sie stets dafür, dass der Generator trocken bleibt.

Wenn der Generator im Freien, ungeschützt vor Wetter, abgestellt ist, sind alle elektrischen Komponenten am Bedienpult vor jedem Gebrauch zu überprüfen. Feuchtigkeit oder Eis kann Funktionsstörungen und Kurzschlüsse bei elektrischen Komponenten und damit tödliche Stromschläge verursachen.

Wenn Sie einen Stromschlag erlitten haben, begeben Sie sich unverzüglich in ärztliche Behandlung.

Für einen Parallelbetrieb darf nur eine von Honda genehmigte Anschlussbox (optionales Zubehör) verwendet werden, wenn die nachfolgend angezeigten Generatorkombinationen angeschlossen werden.

EU22i und EU22i

EU22i und EU20i *

* Ein EU22i kann nur mit EU20i-Modellen kombiniert werden, deren Seriennummern in den unten gezeigten Bereichen liegen.

Zutreffende Rahmen-Seriennummer des EU20i

EAAJ-2032188 und später

EACT-1000001 und später

Verbinden Sie einen EU22i-Generator niemals mit einem anderen als den oben angegebenen Generatormodellen.

Brand- und Verbrennungsgefahr

Den Generator nicht in einer Umgebung betreiben, in der hohe Brandgefahr besteht.

Die Auspuffanlage wird so heiß, dass sich gewisse Materialien an ihr entzünden können.

- Halten Sie den Generator während des Betriebs mindestens 1 Meter von Gebäuden und anderen Geräten fern.
- Der Generator darf auf keine Weise umschlossen werden.
- Halten Sie brennbare Materialien vom Generator fern.

Gewisse Teile des Verbrennungsmotors können so heiß werden, dass man sich daran verbrennen kann. Achten Sie auf die am Generator angebrachten Warnhinweise.

Der Auspufftopf wird während des Betriebs sehr heiß und bleibt auch nach dem Abstellen des Motors eine gewisse Zeit lang heiß. Darauf achten, den Auspufftopf in heißem Zustand nicht zu berühren. Den Motor abkühlen lassen, bevor der Generator in einem geschlossenen Raum abgestellt wird.

Falls ein Brand ausbricht, darf Wasser nicht direkt über den Generator gegossen werden. In diesem Fall ist ein speziell für elektrische Brände oder Ölbrände entwickelter Feuerlöscher einzusetzen.

Bei Einatmung von Rauchgasen im Falle eines Generatorbrands begeben Sie sich unverzüglich in ärztliche Behandlung.

Vorsicht beim Tanken

Benzin ist außerordentlich feuergefährlich, Benzindampf kann explodieren. Lassen Sie den Motor nach Betrieb des Generators abkühlen.

Tanken Sie nur im Freien in einem gut belüfteten Bereich bei gestopptem Motor.

Während des Betriebs darf nicht nachgetankt werden.

Den Tank nicht überfüllen.

In der Nähe von Benzin darf nicht geraucht werden, jegliche Flammen und Funken sind fern zu halten.

Bewahren Sie Benzin stets in einem zugelassenen Behälter auf.

Eventuell verschüttetes Benzin muss vollständig aufgewischt werden, bevor der Motor gestartet wird.

Explosionssicher

Dieser Generator erfüllt nicht die Explosionssicherheitsanforderungen.

Entsorgung

Aus Umweltschutzgründen dürfen Generator, Batterie, Motoröl usw. nicht einfach in den Abfall gegeben werden. Beachten Sie alle örtlichen Gesetze und Vorschriften hinsichtlich der korrekten Entsorgung derartiger Teile und Stoffe. Ihr autorisierter Honda-Generator-Händler berät Sie dabei gerne.

Bei der Beseitigung des Altöls bitte die entsprechenden Umweltschutzbestimmungen beachten. Wir empfehlen, dass Sie das Altöl zu Ihrer örtlichen Tankstelle bringen. Das gebrauchte Motoröl nicht in den Abfall werfen oder auf den Boden gießen.

Eine unsachgemäß entsorgte Batterie kann die Umwelt schädigen. Halten Sie sich beim Entsorgen von Batterien stets an örtlich geltende Vorschriften. Bezüglich Ersatz wenden Sie sich bitte an Ihre Kundendienstwerkstatt.

ENTSORGUNG DES STROMERZEUGERS



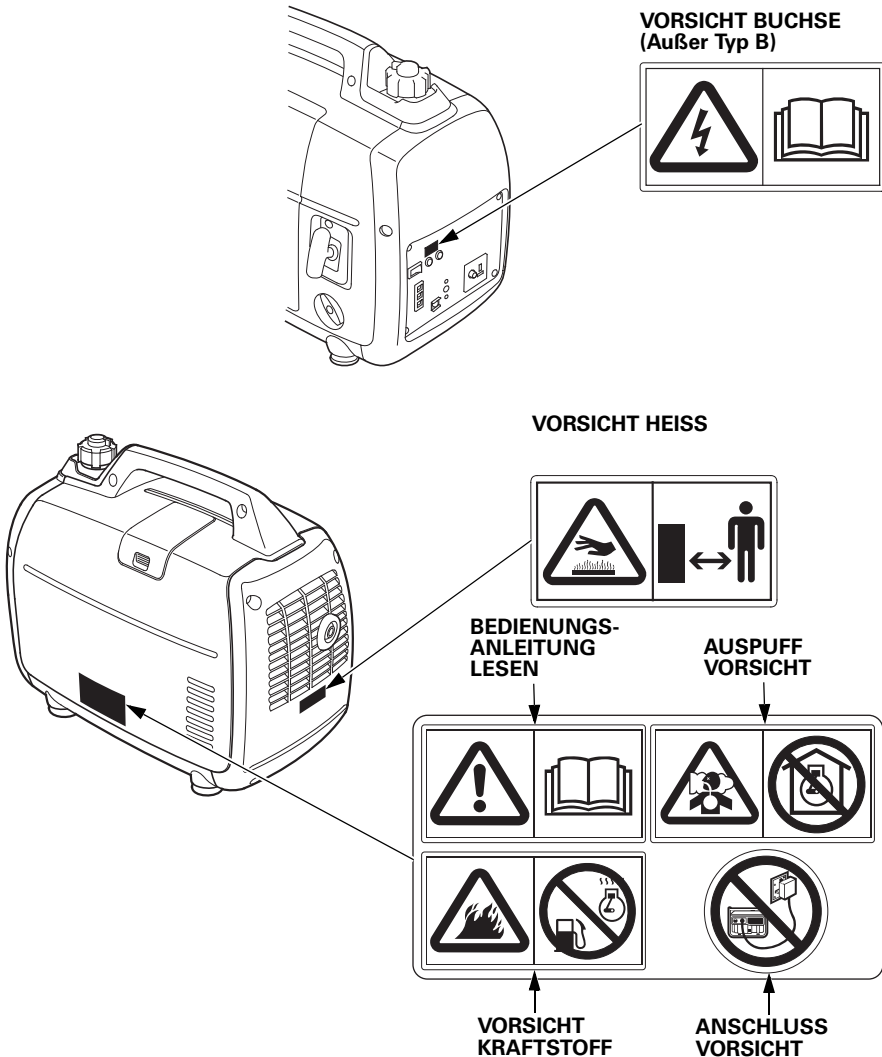
Elektrische Geräte gehören nicht in den Hausmüll. Bei der Entsorgung elektrischer Geräte auf Abfalldeponien und Müllhalden können gesundheitsschädliche Stoffe freigesetzt werden und in die Nahrungskette eintreten. Weitere Informationen zur fachgerechten Entsorgung dieses Produkts erhalten Sie von Ihrem Händler oder der örtlichen Entsorgungsstelle.

2. LAGE DER SICHERHEITS-AUFKLEBER

Diese Aufkleber informieren über potentielle Gefahrenquellen, die schwere Verletzungen verursachen können. Die in dieser Anleitung erwähnten Hinweisschilder und Sicherheitshinweise sorgfältig durchlesen.

Wenn sich ein Aufkleber abgelöst hat oder schwer leserlich geworden ist, wenden Sie sich an Ihren Honda-Wartungshändler, um einen Ersatz zu bekommen.

[Für europäische Modelle: Typen B, B1, E, F, G, W]

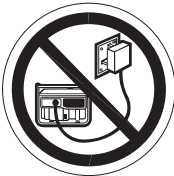




- Der Honda-Generator ist für sicheren und zuverlässigen Betrieb konstruiert, wenn er gemäß der Betriebsanleitung bedient wird. Lesen Sie zum Verständnis die Bedienungsanleitung durch, bevor Sie den Generator in Betrieb nehmen. Anderenfalls können Personenverletzungen und/oder Geräteschäden verursacht werden.



- Abgase enthalten Kohlenmonoxid, ein farb- und geruchloses Giftgas. Einatmung von Kohlenmonoxid kann Bewusstlosigkeit verursachen und tödlich wirken.
- Wenn Sie den Generator in einem geschlossenen oder auch nur teilweise geschlossenen Raum laufen lassen, kann die Luft, die Sie einatmen, eine gefährliche Abgasmenge enthalten.
- Der Generator darf auf keinen Fall in einer Garage, in einem Haus bzw. in der Nähe geöffneter Fenster oder Türen betrieben werden.



- Falsche Anschlüsse an das elektrische Leitungssystem eines Gebäudes können zur Einspeisung von Strom vom Generator in das Netz führen. Dieser Vorgang kann zu lebensgefährlichen Stromschlägen für Beschäftigte des Stromversorgungsunternehmens oder andere Personen führen, die während eines Stromausfalls Netzleitungen berühren. Außerdem kann der Generator bei erneuter Zuschaltung der Netzspannung explodieren, Feuer fangen oder einen Brand verursachen. Bevor Sie derartige Stromanschlüsse herstellen, setzen Sie sich mit dem Stromversorgungsunternehmen oder einem Fachmann in Verbindung.



- **Benzin ist äußerst feuergefährlich und explosiv. Bevor getankt wird, den Motor abstellen und abkühlen lassen.**



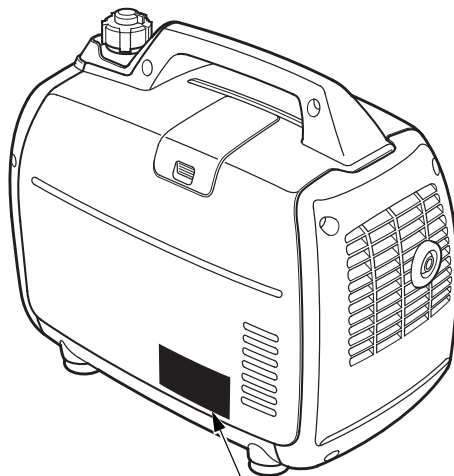
- **Die Anschlussbox für Parallelbetrieb bei gestopptem Motor anschließen und trennen.**
- **Für Einzelbetrieb muss die Anschlussbox für Parallelbetrieb abgetrennt werden.**



- **An einer heißen Auspuffanlage kann man sich ernsthafte Verbrennungen zuziehen. Wenn der Motor in Betrieb war, ist Berührung zu vermeiden.**


• Lage der CE-Spezifizierung und des Geräuschpegel-Hinweisschilds

[Für europäische Modelle: Typen B, B1, E, F, G, W]

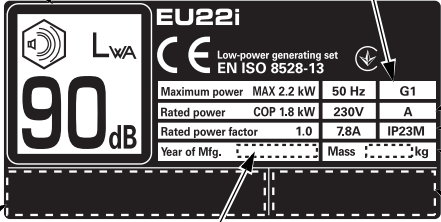


CE-SPEZIFIZIERUNG und GERÄUSCHPEGELHINWEISSCHILD
[Beispiel: Typen B1, E, F, G und W]

GERÄUSCHPEGEL-HINWEISSCHILD



Leistungs-Klassifizierung



Hersteller und Anschrift

Herstellungsjahr

Name und Anschrift des autorisierten Beauftragten und des Importeurs

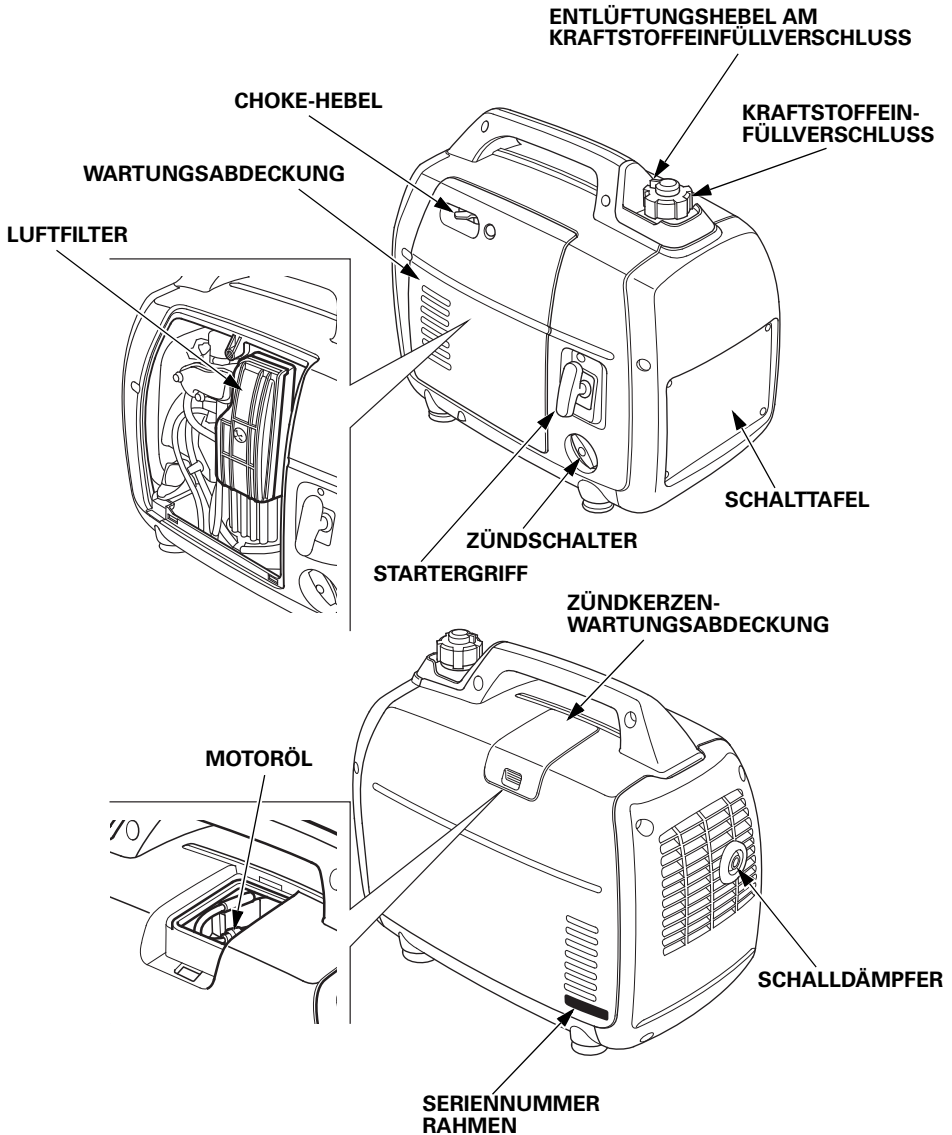
Qualitäts-Klassifizierung

IP-Code

Trockenmasse (Gewicht)

Name und Anschrift des Herstellers, des autorisierten Beauftragten und des Importeurs werden in der Bedienungsanleitung unter "EG-Konformitätserklärung" INHALTSÜBERSICHT aufgeführt.

3. BEZEICHNUNG DER TEILE



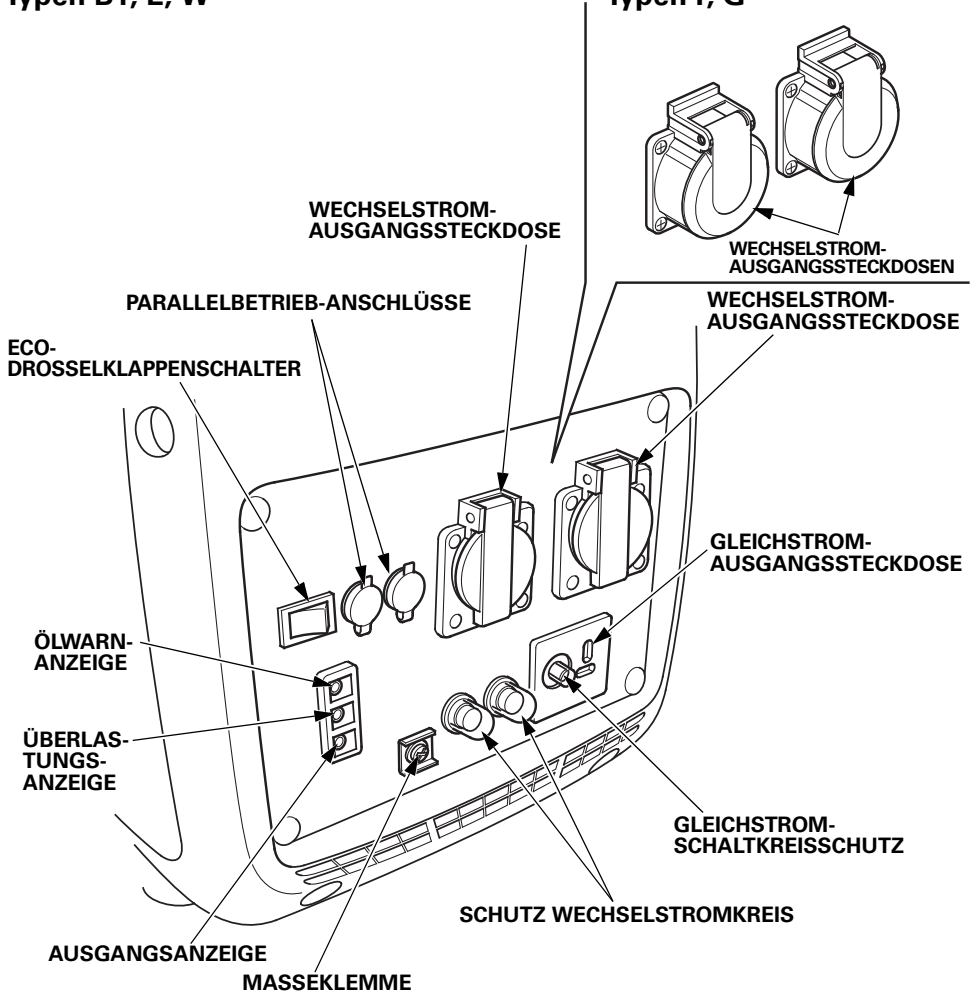
Schreiben Sie die Rahmen-Seriennummer in die nachfolgende freie Stelle. Bei der Bestellung von Bauteilen ist diese Nummer erforderlich.

Rahmen-Seriennummer: _____

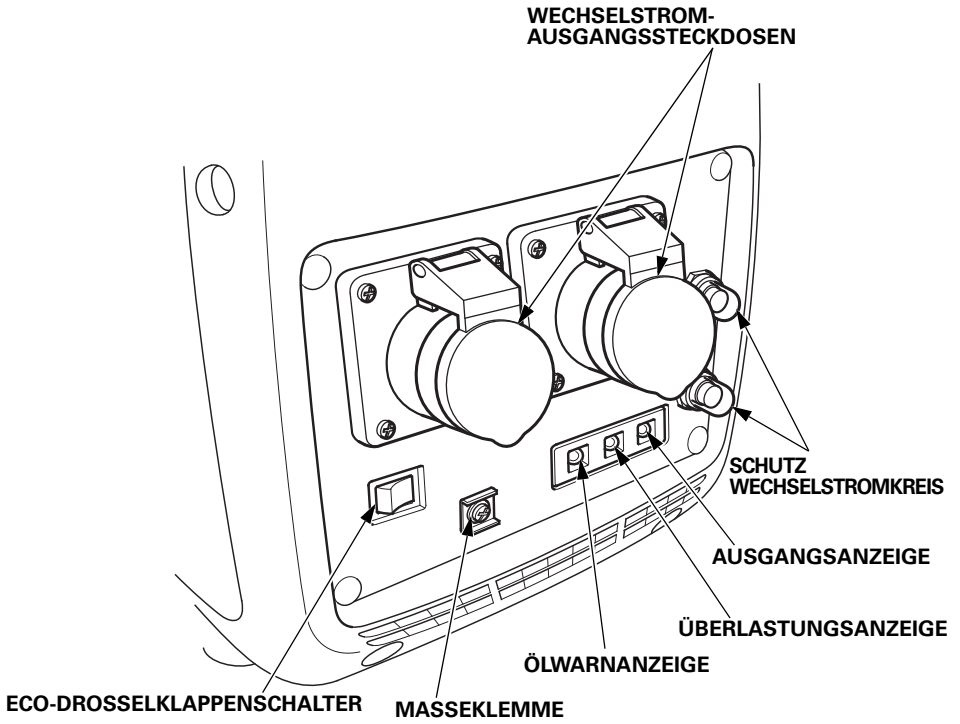
SCHALTТАFEL

Typen B1, E, W

Typen F, G



Typ B



Eco-Drosselklappe

ECO:

Hierbei wird die Motordrehzahl automatisch auf die Leerlaufdrehzahl eingestellt, wenn der elektrische Stromverbraucher abgeklemmt wird; beim Wiederanschließen des elektrischen Stromverbrauchers wird wieder auf die der Belastung entsprechende Drehzahl zurückgekehrt. Es wird empfohlen, diese Position zur Minimierung des Kraftstoffverbrauchs während des Betriebs zu wählen.

HINWEIS:

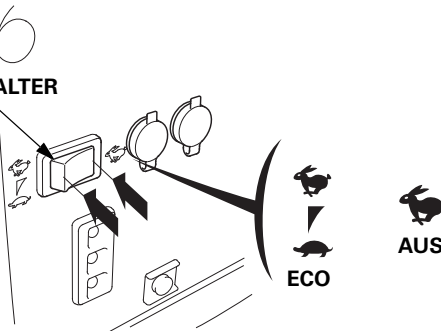
- Das Eco-Drosselklappensystem lässt sich nicht wirksam einsetzen, wenn der elektrische Verbraucher Momentanstrom erfordert.
- Bei einem gleichzeitigen Anschließen von Geräten mit hoher Leistungsaufnahme ist der Eco-Drosselklappenschalter auf AUS zu stellen, um Spannungsschwankungen abzuschwächen.
- Bei Gleichstrombetrieb ist der Eco-Drosselklappenschalter auf AUS zu stellen.

AUS:

Das Eco-Drosselklappensystem arbeitet nicht. Die Motordrehzahl wird im Bereich von Motordrehzahl (bei deaktiviertem Eco-Drosselklappensystem) der Seite "TECHNISCHE DATEN" gehalten.

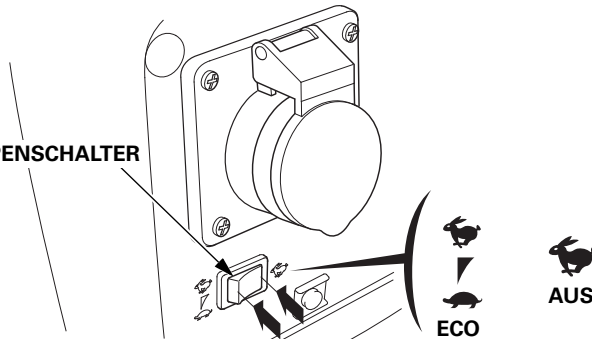
Typen B1, E, F, G, W

ECO-DROSSELKLAPPENSCHALTER



Typ B

ECO-DROSSELKLAPPENSCHALTER



4. ÜBERPRÜFUNGEN VOR INBETRIEBNAHME

VORSICHT:

Den Generator unbedingt auf ebener Fläche bei abgestelltem Motor überprüfen.

Vor jeder Verwendung den Bereich um den Motor sowie darunter auf Anzeichen für undichte Öl- oder Benzinleitungen kontrollieren.

1. Den Motorölstand kontrollieren.

VORSICHT:

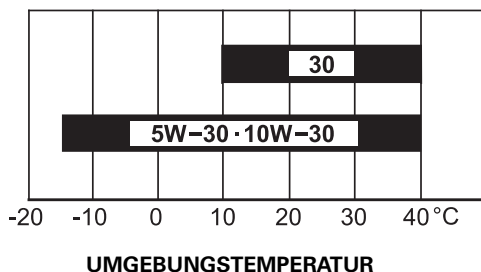
Durch die Verwendung von unverseifbarem Öl oder Zweitaktöl kann die Lebensdauer des Motors verkürzt werden.

Empfohlenes Öl

Motoröl für Viertaktmotoren verwenden, das die Anforderungen für API-Serviceklasse SE oder höher (bzw. gleichwertig) erfüllt oder überschreitet. Prüfen Sie stets das API-Service-Etikett am Ölbehälter, um sicherzugehen, dass es die Buchstaben SE oder die einer höheren Klasse (bzw. entsprechende) enthält.

Schmierölspezifikationen, die für die Aufrechterhaltung der Leistung des Abgaskontrollsystems erforderlich sind: Originalöl von Honda.

Vor dem Gebrauch lesen Sie bitte die Anweisung auf dem Ölbehälter.

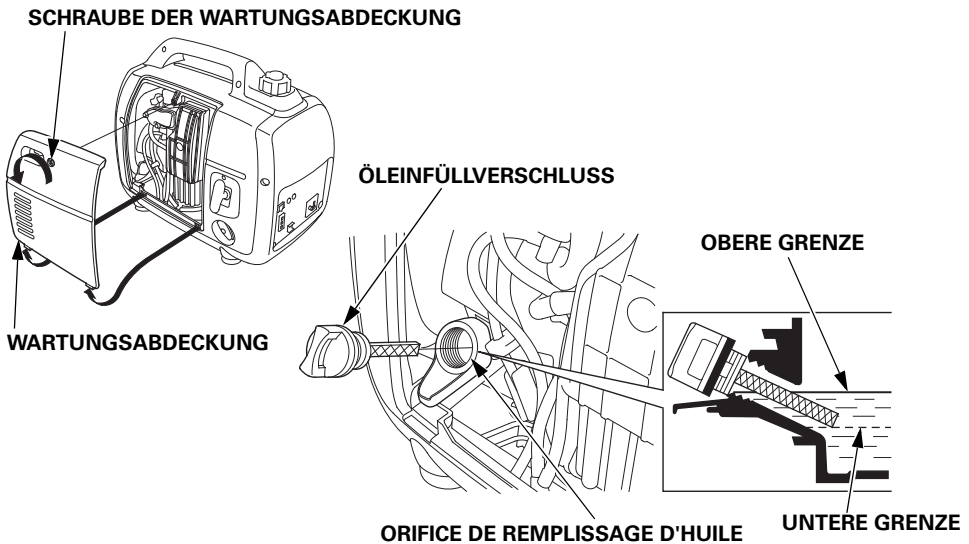


SAE 10W-30 wird für allgemeinen Gebrauch empfohlen. Andere in der Tabelle angegebene Viskositäten können verwendet werden, wenn die durchschnittliche Temperatur in Ihrem Gebiet innerhalb des empfohlenen Bereichs liegt.

1. Die Schraube der Wartungsabdeckung lösen und die Wartungsabdeckung ausbauen (siehe Seite 43).
2. Den Öleinfüllverschluss abnehmen, und den Messstab mit einem sauberen Lappen abwischen.
3. Zum Kontrollieren des Ölstands den Messstab in die Öleinfüllöffnung einschieben, ohne ihn einzuschrauben.
4. Wenn der Ölstand bis unterhalb des Ölmesstab-Endes abgefallen ist, muss mit dem empfohlenen Öl aufgefüllt werden, bis die Oberkante des Einfüllstutzens erreicht ist (siehe Seite 15).
5. Den Oleinfullverschluss wieder sicher anbringen.

VORSICHT:

Betreiben des Motors mit unzureichender Öfüllung kann ernsthafte Beschädigung des Motors zur Folge haben.



HINWEIS:

Das Ölwarnsystem stoppt den Motor automatisch, bevor der Ölstand unter das sichere Minimalniveau sinken kann. Um jedoch ein unerwartetes Abschalten und die damit verbundenen Unannehmlichkeiten zu vermeiden, ist es dennoch ratsam, den Ölstand regelmäßig zu kontrollieren.

2. Den Kraftstoffstand kontrollieren.

Wenn der Kraftstoffstand zu niedrig ist, bis zum angegebenen Füllstand nachtanken. Nach dem Auffüllen den Kraftstoffeinfüllverschluss wieder gut festdrehen.

Bleifreies Kraftfahrzeugbenzin mit einer Research-Oktanzahl von 91 oder höher (einer Pump Octane Number von 86 oder höher) verwenden.

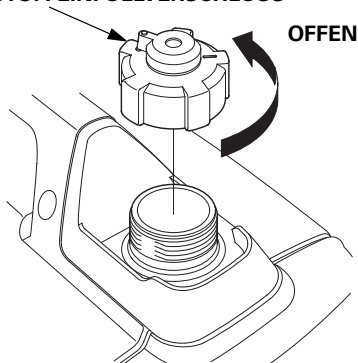
Kraftstoffspezifikationen, die für die Aufrechterhaltung der Leistung des Abgaskontrollsystems erforderlich sind: E10-Kraftstoff gemäß EU-Verordnung.

Das Benzin darf nicht abgestanden oder verunreinigt sein, und es darf kein Öl-Benzin-Gemisch eingesetzt werden. Darauf achten, dass weder Schmutz noch Wasser in den Kraftstofftank gelangt.

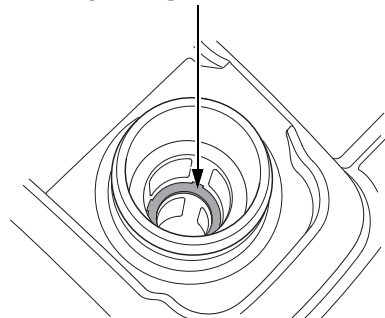
▲ WARNUNG

- Benzin ist äußerst feuergefährlich und unter gewissen Bedingungen explosiv.
 - Nur in einem gut belüfteten Bereich und bei abgestelltem Motor auftanken. Beim Auftanken und an Orten, an denen Kraftstoff gelagert wird, nicht rauchen und offene Flammen oder Funken fernhalten.
 - Den Tank nicht überfüllen (der Kraftstoff darf nicht die obere Grenzmarke überschreiten.). Nach dem Tanken sicherstellen, dass der Kraftstoffeinfüllverschluss richtig aufgesetzt und gut festgedreht wurde.
 - Darauf achten, dass beim Auftanken kein Kraftstoff verschüttet wird. Benzindämpfe oder verschütteter Kraftstoff können sich entzünden. Wenn dennoch Kraftstoff verschüttet wird, diesen vor dem Anlassen des Motors unbedingt aufwischen.
 - Wiederholten oder längeren Kontakt mit der Haut, sowie das Einatmen von Dämpfen vermeiden.
- AUSSERHALB DER REICHWEITE VON KINDERN HALTEN.**

KRAFTSTOFFEINFÜLLVERSCHLUSS



OBERE GRENZMARKE



HINWEIS:

Einflussfaktoren wie Lichteinstrahlung, Umgebungstemperatur und Lagerzeit können die Beschaffenheit des Benzins schnell verändern. Schlimmstenfalls kann Benzin schon innerhalb von 30 Tagen unbrauchbar werden.

Durch Gebrauch minderwertigen Benzins kann ein ernsthafter Motorschaden verursacht werden (Vergaserverstopfung, Ventilklemmen usw.).

Schäden, die sich auf den Gebrauch minderwertigen Benzins zurückführen lassen, sind von der Garantie nicht abgedeckt.

Um derartige Schäden zu vermeiden, sollten Sie sich an die folgenden Empfehlungen halten:

- Nur das vorgeschriebene Benzin verwenden (siehe Seite 17).
- Frisches und sauberes Benzin verwenden.
- Benzin sollte in einem zugelassenen Kraftstoffbehälter aufbewahrt werden, um eine Qualitätsminderung hinauszuzögern.
- Wenn eine längere Außerbetriebsetzung (länger als 30 Tage) geplant ist, Kraftstofftank und Vergaser entleeren (siehe Seite 48).

Alkoholhaltiges Benzin

Falls Sie sich für die Verwendung von alkoholhaltigem Benzin (Gasohol) entscheiden, vergewissern Sie sich, dass seine Oktanzahl mindestens so hoch ist wie die von Honda für bleifreies Benzin empfohlene.

Es gibt zwei Arten von "Gasohol": die eine enthält Äthanol und die andere Methanol.

Verwenden Sie kein Gasohol, das mehr als 10 % Äthanol enthält.

Verwenden Sie kein Benzin, das mehr als 5 % Methanol (Methyl- oder Holzalkohol) enthält, und auch kein Benzin mit Methanolgehalt, das nicht Kosolventen und Korrosionsinhibitoren für Methanol beinhaltet.

HINWEIS:

- Kraftstoffsystemschäden und Motorleistungsstörungen, die sich auf den Gebrauch von Benzin mit einem höheren Alkoholgehalt als empfohlen zurückführen lassen, sind von der Garantie nicht abgedeckt.
- Bevor Sie Benzin bei einer Ihnen unbekanntem Tankstelle kaufen, sollten Sie zunächst feststellen, ob das Benzin Alkohol enthält, und wenn ja, welchen Typ und zu welchem Prozentsatz. Sollten bei Verwendung eines bestimmten Benzins Betriebsstörungen auftreten, sollten Sie zu einem Benzin wechseln, das mit Sicherheit weniger als die empfohlene Alkoholmenge enthält.

3. Den Luftfilter kontrollieren.

Die Luftfiltereinsätze überprüfen, um sicherzustellen, dass diese sauber und in gutem Zustand sind.

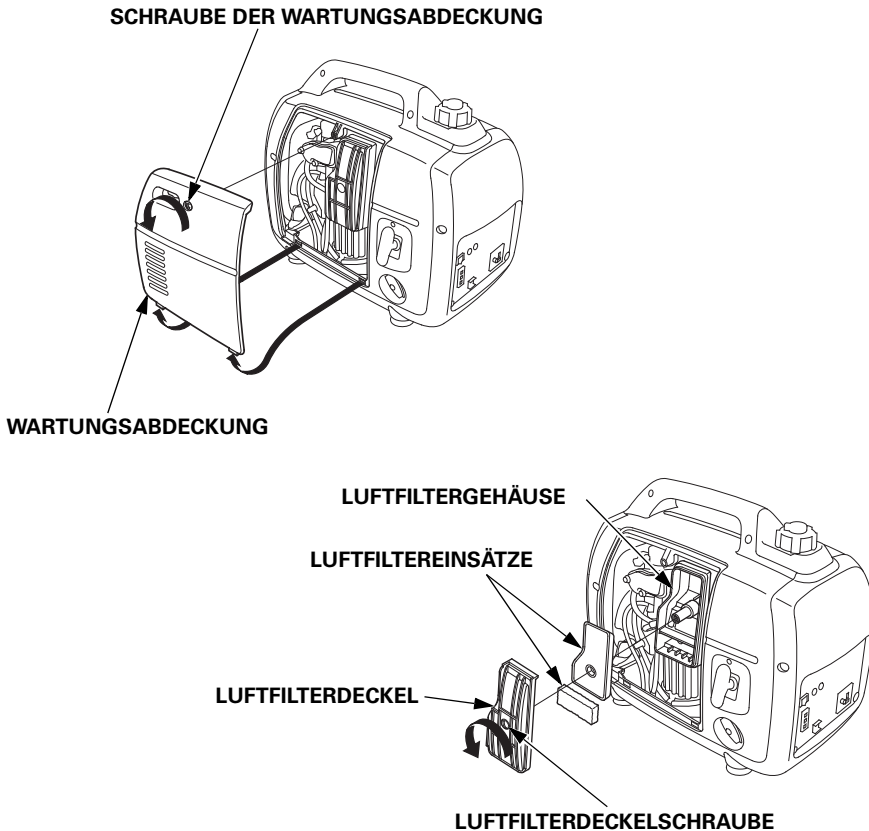
Die Schraube der Wartungsabdeckung lösen und die Wartungsabdeckung abnehmen. Die Luftfilterdeckelschraube lösen, den Luftfilterdeckel abnehmen und die Einsätze prüfen.

Die Einsätze erforderlichenfalls reinigen oder auswechseln (siehe Seite 44).

VORSICHT:

Den Motor niemals ohne die Luftfiltereinsätze laufen lassen.

Die durch den Vergaser in den Motor eingesaugten Staub- und Schmutzteilchen verursachen schnellen Motorverschleiß.



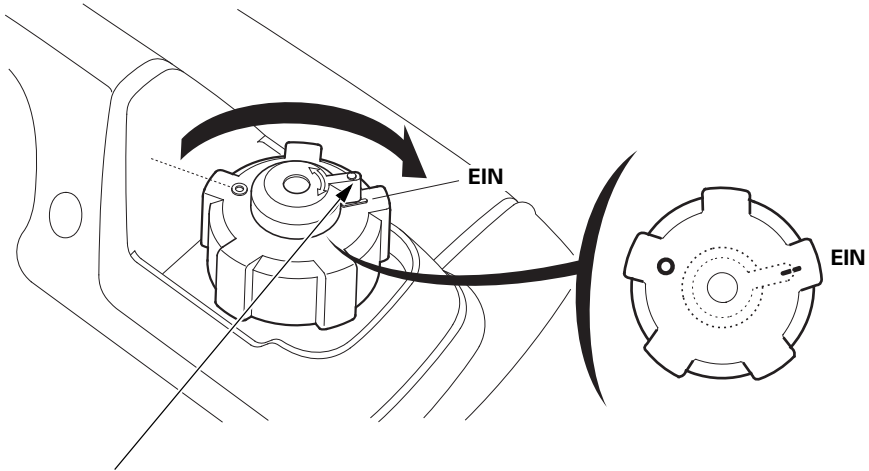
5. ANLASSEN DES MOTORS

Vor dem Anlassen des Motors müssen angeschlossene Stromverbraucher von der Wechselstrom-Steckdose abgeklemmt werden.

1. Den Entlüftungshebel am Kraftstoffeinfüllverschluss im Uhrzeigersinn in die EIN-Stellung drehen.

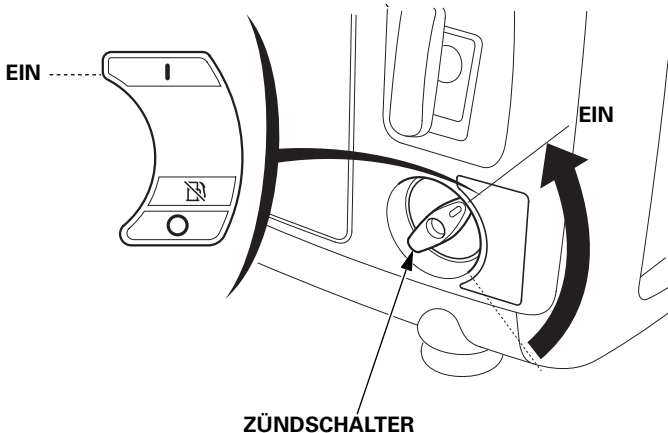
HINWEIS:

Zum Transport des Generators den Entlüftungshebel am Kraftstoffeinfüllverschluss auf AUS drehen.



ENTLÜFTUNGHEBEL AM KRAFTSTOFFEINFÜLLVERSCHLUSS

2. Den Zündschalter auf EIN stellen.

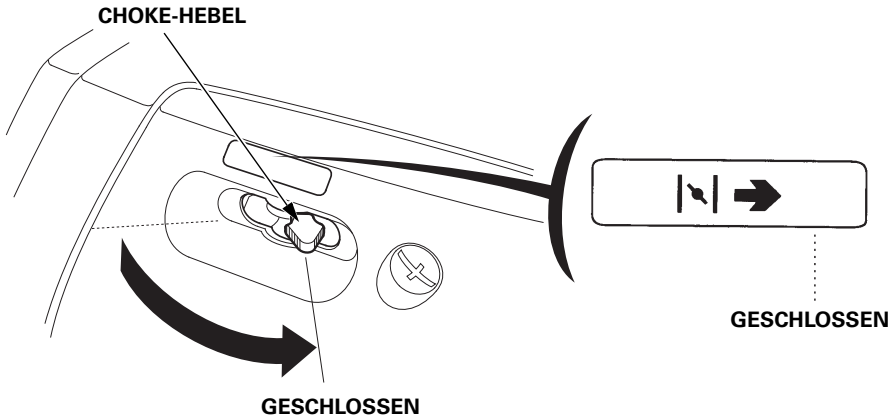


ZÜNDSCHALTER

3. Den Choke-Hebel auf die GESCHLOSSEN-Position schieben.

HINWEIS:

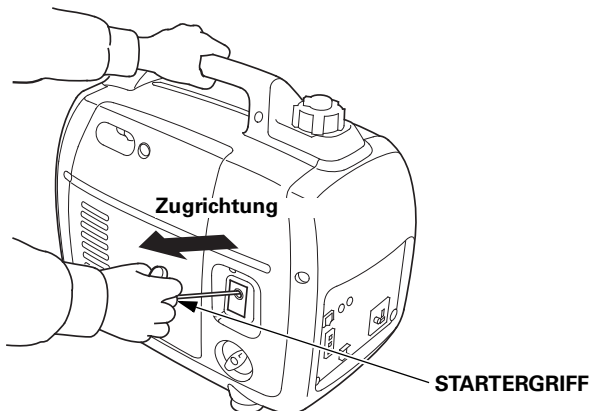
Den Choke nicht bei betriebswarmem Motor oder hohen Außentemperaturen verwenden.



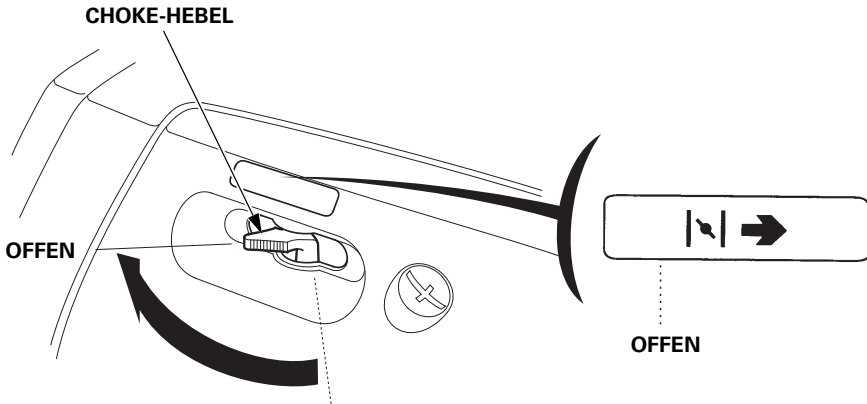
4. Den Startergriff leicht herausziehen, bis ein Widerstand verspürt wird, dann den Griff kräftig in Pfeilrichtung ziehen, wie unten gezeigt.

VORSICHT:

- Der Startergriff kann sehr schnell zurückgezogen werden, bevor man ihn loslässt. Dadurch kann Ihre Hand so stark in Richtung Motor gezogen werden, dass Sie sich verletzen können.
- Den Startergriff nicht zurückschlagen lassen. Vorsichtig mit der Hand zurückführen.



5. Sobald der Motor warm läuft, den Choke-Hebel in die Position OFFEN stellen.



HINWEIS:

Wenn der Motor stehen bleibt und sich nicht mehr starten lässt, den Ölstand kontrollieren (siehe Seite 16), bevor die Störung in anderen Bereichen gesucht wird.

- **Vergasermodifikation für Betrieb in großer Höhenlage**

In großen Höhenlagen ist das Standard-Kraftstoff-/Luftgemisch des Vergasers zu fett. Die Leistung nimmt ab, der Kraftstoffverbrauch hingegen zu. Ein sehr fettes Gemisch führt auch zu einer Verschmutzung der Zündkerze und zu Startproblemen. Längerer Betrieb in einer Höhenlage, die nicht in den Bereich fällt, für den dieser Motor als geeignet befunden worden ist, kann erhöhte Emissionswerte zur Folge haben.

Bei Betrieb in großer Höhenlage kann die Motorleistung durch entsprechende Vergasermodifikationen verbessert werden. Wenn der Generator stets in Höhenlagen von über 1.500 Metern betrieben wird, lassen Sie diese Vergasermodifikationen von Ihrer Kundendienstwerkstatt vornehmen. Wenn der Motor in großen Höhenlagen mit den entsprechenden Vergasermodifikationen betrieben wird, erfüllt er während seiner gesamten Lebensdauer jede Emissionsnorm.

Selbst bei Vergasermodifikation nimmt die Motorleistung pro 300 m Höhenzunahme um etwa 3,5 % ab. Ohne Vergasermodifikation ist die Auswirkung der Höhenlage auf die Motorleistung noch größer.

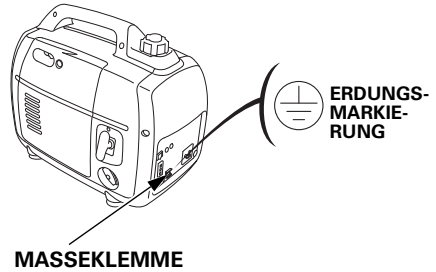
VORSICHT:

Wenn der Generator in einer niedrigeren Meereshöhe als der für die Vergaser-Kalibrierung vorgesehenen betrieben wird, kann Leistungsverlust, Überhitzen und sogar ein ernsthafter Motorschaden durch ein zu mageres Kraftstoff-/Luftgemisch eintreten.

6. BENUTZUNG DES GENERATORS

Der Generator erzeugt so viel elektrische Energie, dass Missbrauch zu Stromschlägen führen kann, die tödlich ausgehen können. Wenn das angeschlossene Gerät geerdet ist, muss auch der Generator geerdet werden.

Zum Erden der Klemme des Generators einen Kupferdraht verwenden, der denselben oder einen größeren Durchmesser aufweist als das Kabel des angeschlossenen Geräts.

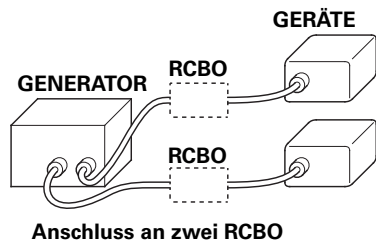
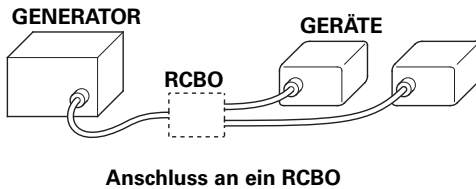


Zum Anschluss eines Geräts mit Erdleiter einen Verlängerungskabelsatz mit Erdleiter verwenden.

Zur Identifizierung des Massepunkts im Stecker siehe STECKDOSE, Seite 57.

Bei Gebrauch von zwei oder mehr Geräten einen Fehlerstromschutzschalter mit Überlastschutz (RCBO) anschließen, der eine Erdfehlerstromerkennung von 30 mA und eine Stromabschaltgeschwindigkeit von unter 0,4 Sekunden bei mehr als 30 A Ausgangsstrom aufweist.

Vor Gebrauch sollten Sie die Anleitung des jeweiligen RCBO-Herstellers lesen und befolgen.



⚠ WARNUNG

Falsche Anschlüsse an das elektrische Leitungssystem eines Gebäudes können zur Einspeisung von Strom vom Generator in das Netz führen. Dieser Vorgang kann zu lebensgefährlichen Stromschlägen für Beschäftigte des Stromversorgungsunternehmens oder andere Personen führen, die während eines Stromausfalls Netzleitungen berühren. Außerdem kann der Generator bei erneuter Zuschaltung der Netzspannung explodieren, Feuer fangen oder einen Brand verursachen. Bevor Sie derartige Stromanschlüsse herstellen, setzen Sie sich mit dem Stromversorgungsunternehmen oder einem Fachmann in Verbindung.

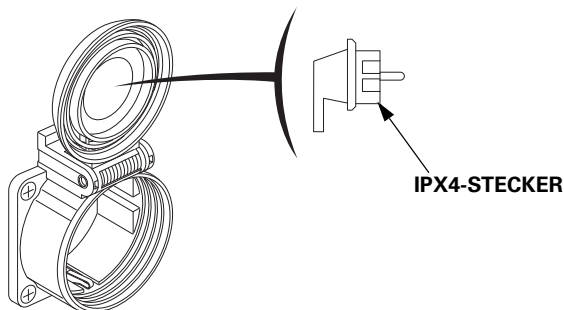
VORSICHT:

- Der angegebene Höchstwert der Leistungsaufnahme darf an keinem der Anschluss-Stecker überschritten werden.
- Der Generator darf nicht für Verwendungszwecke modifiziert werden, für die der Generator nicht vorgesehen ist. Die folgenden Hinweise sind bei der Benutzung des Generators besonders zu beachten.
- Keine Verlängerung an das Auspuffrohr anschließen.
- Wenn ein Verlängerungskabel erforderlich ist, muss ein widerstandsfähiges, flexibles Kabel mit Gummihülle verwendet werden (IEC 245 oder gleichwertige Qualität).
Bei der Verwendung eines Verlängerungskabels darf der Widerstandswert $1,5 \Omega$ nicht überschreiten.
- Maximale Längen für Verlängerungskabel: 60 m bei einem Kabelquerschnitt von $1,5 \text{ mm}^2$ und 100 m bei einem Kabelquerschnitt von $2,5 \text{ mm}^2$. Lange Verlängerungskabel vermindern aufgrund des Kabelwiderstands die Nutzleistung.
- Den Generator stets von anderen elektrischen Kabeln und Versorgungsleitungen entfernt halten.

⚠ WARNUNG

Typ G

Bei Anschluss eines abgewinkelten Steckers nur einen IPX4-Stecker verwenden.



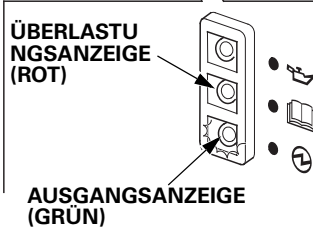
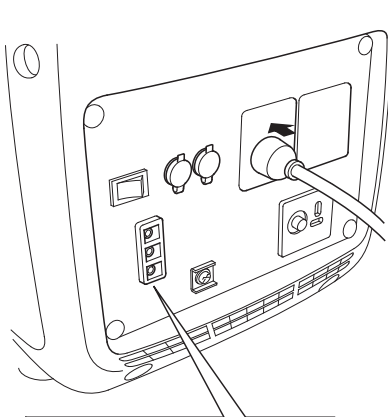
HINWEIS:

- Die meisten Gerätemotoren verbrauchen mehr als ihre angegebene Nennleistungsaufnahme zum Anlaufen. Sicherstellen, dass die elektrische Auslegung des Werkzeugs oder Geräts die Höchstleistung des Generators nicht überschreitet.
Die Höchstleistung beträgt: 2,2 kVA
- Bei Dauerbetrieb darf die Nennleistung nicht überschritten werden.
Die Nennleistung beträgt: 1,8 kVA
- In jedem Fall ist der gesamte Strombedarf (VA) aller angeschlossenen Geräte zu berücksichtigen.
- Im Falle einer größeren Überlastung wird der Wechselstrom-Schaltkreisschutz aktiviert. Leichte Überlastung löst den Wechselstrom-Schaltkreisschutz eventuell nicht aus, verkürzt aber die Lebenserwartung des Generators (Außer Typ B).
- Die Gleichstrom-Steckdose kann während eines Wechselspannungsbetriebs verwendet werden.
Wenn beide gleichzeitig verwendet werden, darf die maximale Wechselstromleistung nicht überschritten werden.
Maximale Wechselstromleistung: 1,7 kVA

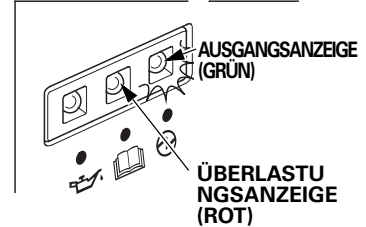
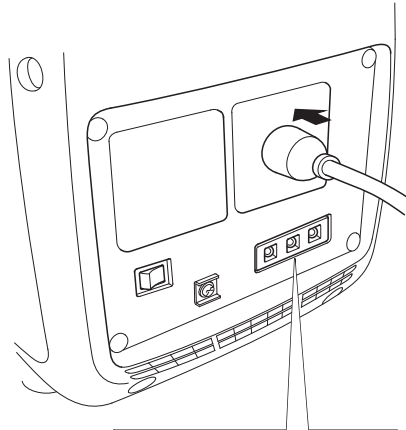
Wechselstrombetrieb

1. Den Motor starten und sicherstellen, dass die Ausgangsanzeige (grün) aufleuchtet.
2. Sich vergewissern, dass das zu verwendende Gerät ausgeschaltet ist, dann den Stecker des Geräts einstecken.

Typen B1, E, F, G, W



Typ B

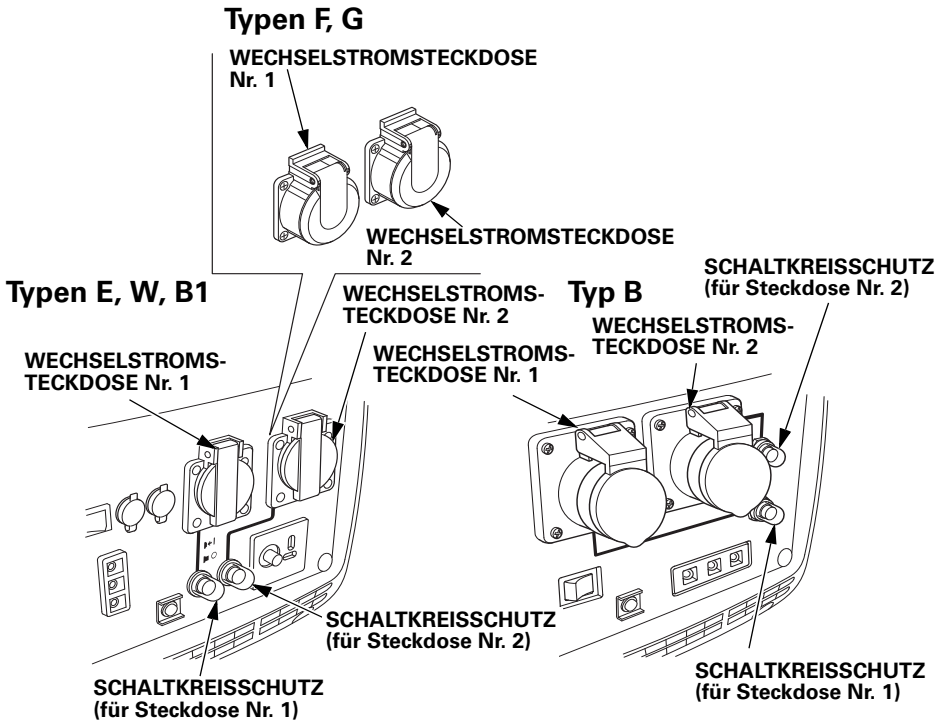


VORSICHT:

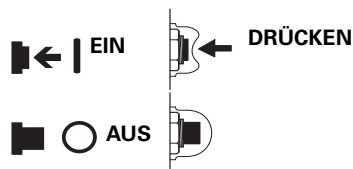
- Eine hohe Überlastung, die ständig die Überlastungsanzeige (rot) aufleuchten lässt, kann den Generator beschädigen. Durch eine geringfügigere Überlastung, die ein vorübergehendes Leuchten der Überlastungsanzeige (rot) verursacht, kann die Lebensdauer des Generators verkürzt werden.
- Sicherstellen, dass sich alle Geräte in einwandfreiem Zustand befinden, bevor sie an den Generator angeschlossen werden. Bei der elektrischen Ausrüstung (einschließlich Kabel- und Steckerverbindungen) darf kein Defekt vorliegen. Wenn ein Gerät abnormal zu arbeiten beginnt, langsam wird oder plötzlich stoppt, muss der Zündschalter des Generators unverzüglich ausgeschaltet werden. Dann das Gerät trennen und die Ursache der Funktionsstörung ausfindig machen.

Wechselstrom-Schaltkreisschutz

Die Wechselstrom-Schaltkreisschutzvorrichtungen schalten automatisch ab (AUS, Druckknopf springt heraus), wenn ein Kurzschluss oder eine bedeutsame Überlast beim Generator an einer Steckdose vorliegt. Wenn ein Wechselstrom-Schaltkreisschutz automatisch abschaltet (AUS), sicherstellen, dass das Gerät richtig funktioniert und die Nennlastkapazität des Schaltkreises nicht überschreitet. Erst dann den Wechselstrom-Schaltkreisschutz durch Hineindrücken des Druckknopfs wieder einschalten (EIN).



(eingedrückt)



Ausgangsleistungs- und Überlastungsanzeigen

Bei normalen Betriebsbedingungen leuchtet die Ausgangsanzeige (grün) ständig.

Außerdem verfügt die Ausgangsanzeige über eine vereinfachte Stundenzählerfunktion. Wenn der Motor gestartet wird, blinkt die Anzeige je nach kumulierter Betriebsstundenzahl des Generators wie folgt:

- Kein Blinkzeichen: 0 – 100 Stunden
- 1 Blinkzeichen: 100 – 200 Stunden
- 2 Blinkzeichen: 200 – 300 Stunden
- 3 Blinkzeichen: 300 – 400 Stunden
- 4 Blinkzeichen: 400 – 500 Stunden
- 5 Blinkzeichen: 500 Stunden und darüber

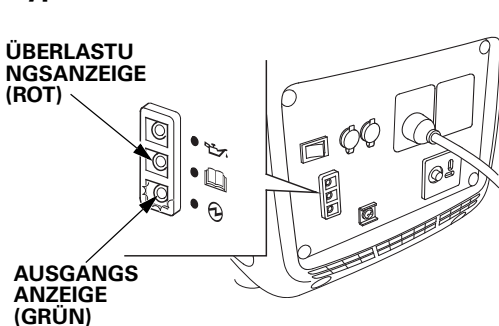
Im Falle einer Überlastung des Generators (siehe Seite 26), oder wenn im angeschlossenen Stromverbraucher ein Kurzschluss auftreten sollte, erlischt die Ausgangsanzeige (grün), die Überlastungsanzeige (rot) leuchtet auf, und die Stromversorgung zum angeschlossenen Gerät wird unterbrochen.

Sollte die Überlastungsanzeige (rot) aufleuchten, muss der Motor gestoppt und die Ursache der Überlastung festgestellt werden.

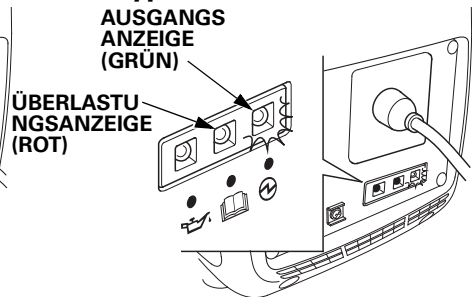
- Bevor ein Stromverbraucher am Generator angeschlossen wird, sich vergewissern, ob sich das Gerät in einwandfreiem Zustand befindet, und dass die Nennleistung nicht höher als die Nennleistung des Generators liegt. Danach das Netzkabel des Stromverbrauchers anschließen und den Motor anlassen.

Wenn die Überlastungsanzeige kontinuierlich blinkt, weist dies auf einen anormalen Wechselrichter hin (siehe Seite 51).

Typen B1, E, F, G, W



Typ B



HINWEIS:

Wenn ein Elektromotor gestartet wird, können Überlastungsanzeige (rot) und Ausgangsanzeige (grün) gleichzeitig aufleuchten. Dies ist normal, wenn die Überlastungsanzeige (rot) innerhalb von etwa 4 Sekunden ausgeht. Wenn die Überlastungsanzeige (rot) anbleibt, wenden Sie sich bitte an Ihren Generator-Händler.

Parallelbetrieb (Außer Typ B)

Bevor ein anderes Gerät mit dem Generator verbunden wird, muss der Abschnitt "VERWENDUNG DES GENERATORS" durchgelesen werden.

Zum Anschluss von zwei EU22i-Generatoren für Parallelbetrieb nur eine von Honda genehmigte Anschlussbox für Parallelbetrieb (Option) verwenden.

Die meisten Gerätemotoren verbrauchen mehr als ihre angegebene Nennleistungsaufnahme zum Anlaufen. Sicherstellen, dass die elektrische Auslegung des Werkzeugs oder Geräts die Höchstleistung des Generators nicht überschreitet.

Maximale Leistung bei Parallelbetrieb:

EU22i und EU22i	4,4 kVA
EU22i und EU20i	4,2 kVA

Bei Dauerbetrieb darf die Nennleistung nicht überschritten werden.
Nennleistung bei Parallelbetrieb:

EU22i und EU22i	3,6 kVA
EU22i und EU20i	3,4 kVA

In jedem Fall ist der gesamte Strombedarf (VA) aller angeschlossenen Geräte zu berücksichtigen.

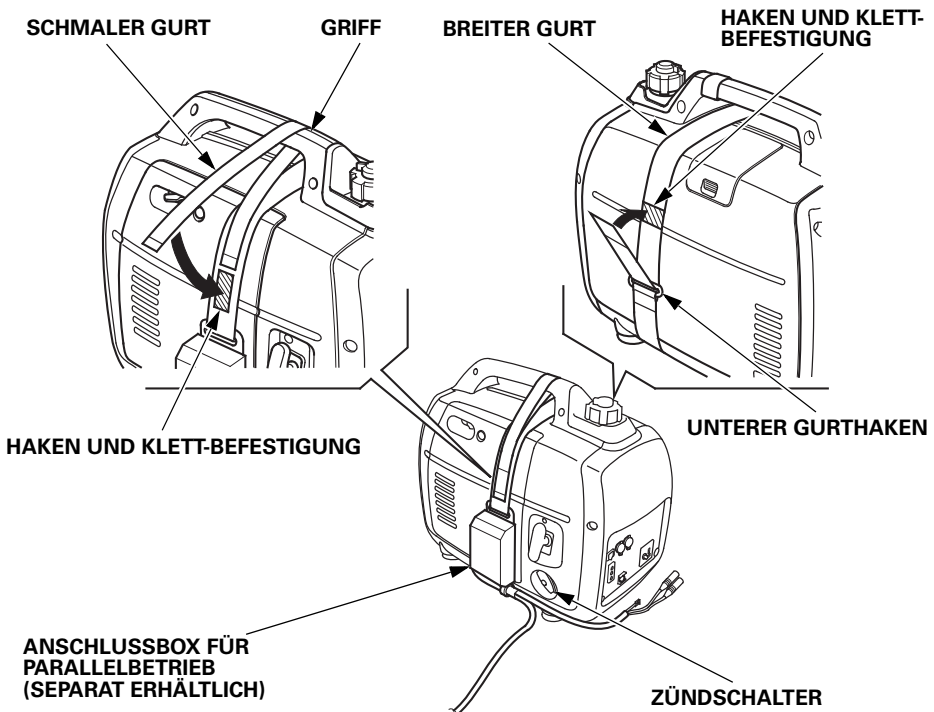
VORSICHT:

Eine hohe Überlastung, die ständig die Überlastungsanzeige (rot) aufleuchten lässt, kann den Generator beschädigen. Durch eine geringfügigere Überlastung, die ein vorübergehendes Leuchten der Überlastungsanzeige (rot) verursacht, kann die Lebensdauer des Generators verkürzt werden.

▲ WARNUNG

- Verbinden Sie niemals einen anderen als die angegebenen Generatormodelle (siehe Seite 4).
- Niemals ein anderes Kabel als die Anschlussbox für Parallelbetrieb anschließen.
- Die Anschlussbox für Parallelbetrieb bei gestopptem Motor anschließen und trennen.
- Für Einzelbetrieb muss die Anschlussbox für Parallelbetrieb abgetrennt werden.

1. Die Anschlussbox für Parallelbetrieb an einem Stromerzeuger anschließen und mit dem Halteband wie gezeigt sichern.
- Den Gurt an der Vorderseite des Griffs anbringen.
 - Den schmalen Gurt mit der Klett-Befestigung am Griff sichern.
 - Den oberen breiten Gurt durch den unteren Gurthaken führen und mit der Klett-Befestigung sichern.
 - Die Kabel der Anschlussbox unter dem Zündschalter führen.
 - Die Gurte so anbringen, dass sie nicht durchhängen.



2. Kabelstecker und Masseklemmen der Anschlussbox für Parallelbetrieb an den Generatoren anschließen, und die Kabelklemme am Griff sichern.

- Während des Parallelbetriebs muss ein Abstand von mindestens 1 Meter zwischen den beiden Generatoren eingehalten werden.
- Das Kabel durch den Griff führen und mithilfe des Bands an diesem festklemmen.
- Darauf achten, dass das Kabel in Richtung Startgriffseite nicht durchhängt.
- Das längere Kabel an dem Stromerzeuger anschließen, an dem die Anschlussbox für Parallelbetrieb nicht installiert ist.
- Die Generatoren nicht so aufstellen, dass ihre Auslass-Seiten zueinander weisen.

KABELSTECKER

MASSE
KLEMME

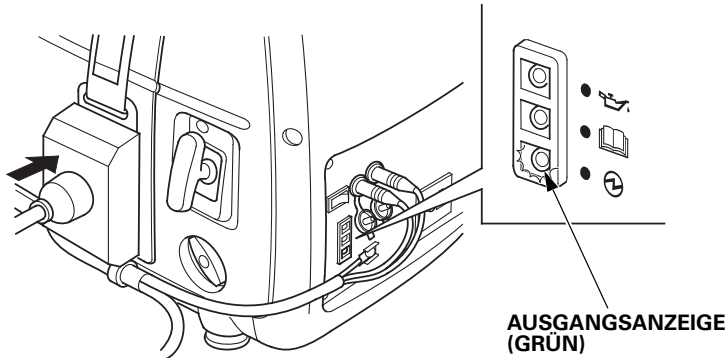
BAND

Mindestens 1 m

3. Die Masseklemme eines Generators erden.

- Wenn ein Gerät geerdet ist, auch den Stromerzeuger erden.

4. Die Motoren starten und sicherstellen, dass die Ausgangsanzeigen (grün) aufleuchten.
5. Sich vergewissern, dass das zu verwendende Gerät ausgeschaltet ist, dann den Stecker des Geräts einstecken.
6. Die zu verwendende Ausrüstung einschalten.



Parallelbetrieb mit EU20i

Hinweise zum Anschluss des Kabels für den Parallelbetrieb entnehmen Sie den Seiten 30 bis 33.

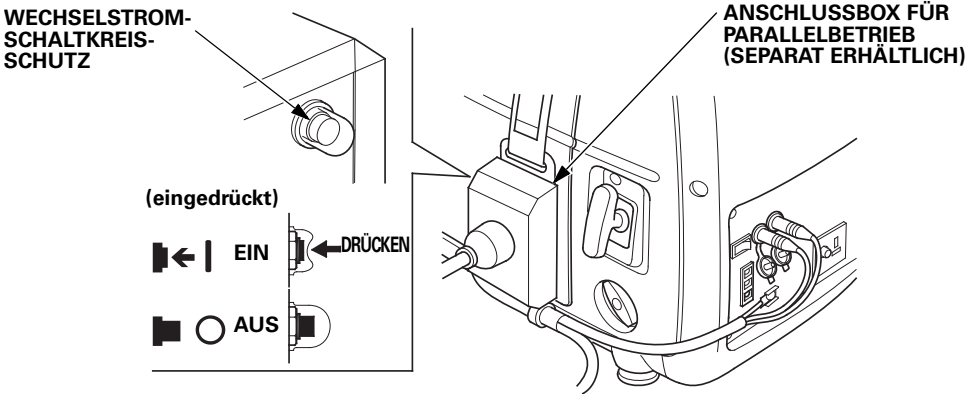
Ein EU22i-Generator darf nur mit einem EU20i-Generator mit einer bestimmten Rahmen-Seriennummer verbunden werden. Beziehen Sie sich auf die unten stehende Tabelle, um zu bestätigen, dass Ihr EU20i-Generator mit einem EU22i kompatibel ist.

Modell	Rahmen-Seriennummerbereich
EU20i	EAAJ-2032188 und später
	EACT-1000001 und später

Wechselstrom-Schaltkreisschutz (außer Typ B)

Der Wechselstrom-Schaltkreisschutz an der Anschlussbox für Parallelbetrieb wird automatisch aktiviert (AUS, Druckknopf springt heraus), wenn ein Kurzschluss oder eine bedeutsame Überlast des Generators an einer Steckdose vorliegt.

Wenn ein Wechselstrom-Schaltkreisschutz automatisch abschaltet (AUS), sicherstellen, dass das Gerät richtig funktioniert und die Nennlastkapazität des Schaltkreises (16 A) nicht überschreitet. Erst dann den Wechselstrom-Schaltkreisschutz durch Hineindrücken des Druckknopfs wieder einschalten (EIN).



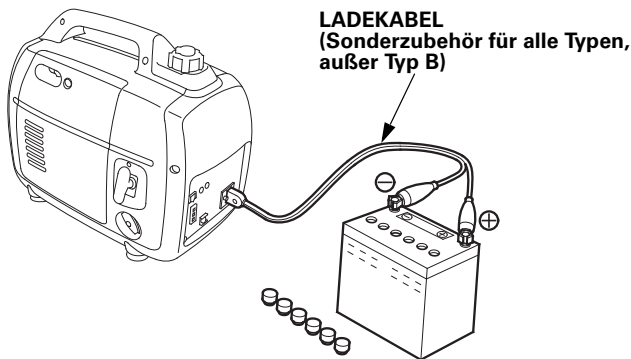
Gleichstromeinsatz (Außer Typ B)

Diese Gleichstrom-Steckdose kann nur zum Laden einer 12 V-Fahrzeuggestrombatterie verwendet werden.

HINWEIS:

Bei Gleichstrombetrieb ist der Eco-Drosselklappenschalter auf AUS zu stellen.

1. Die Ladekabel mit der Gleichstrom-Steckdose des Generators und den Batterieklemmen verbinden.



⚠ WARNUNG

- Um eine Funkenbildung in der Nähe der Batterie zu verhindern, müssen die Ladekabel zuerst mit dem Generator, dann erst mit der Batterie verbunden werden. Beim Abklemmen zuerst die Kabel an der Batterie lösen.
- Vor Ladekabelanschluss an eine in einem Fahrzeug befindliche Batterie das Fahrzeug-Batteriekabel abklemmen. Nach Ladekabelabtrennung das Fahrzeug-Batteriekabel wieder anschließen. Durch dieses Verfahren werden die Gefahr eines Kurzschlusses und die dabei auftretenden Funken ausgeschlossen (bei unbeabsichtigtem Kontakt einer Batterieklemme und dem Fahrzeugrahmen bzw. der Karosserie).

VORSICHT:

- Nicht versuchen, einen Automotor anzulassen, während der Generator an die Batterie angeschlossen ist. Der Generator kann dadurch beschädigt werden.
- Den positiven Batteriepol mit der positiven Generatorklemme verbinden. Die Ladekabel nicht polaritätsverkehrt anschließen, weil sonst der Generator und/oder die Batterie ernsthaft beschädigt werden kann.

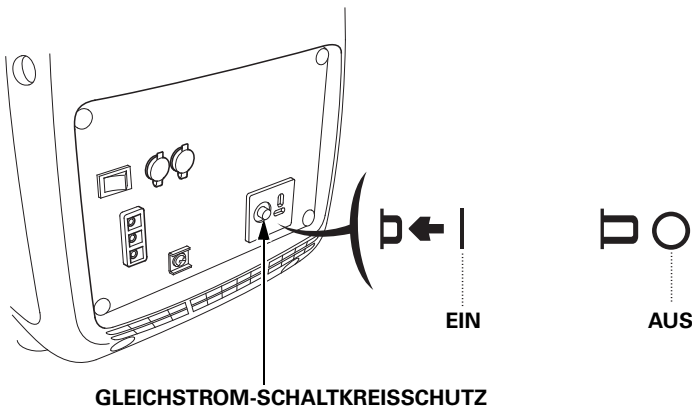
⚠ WARNUNG

- **Batterien erzeugen explosive Gase:** bei Entzündung kann eine Explosion ernsthafte Verletzungen einschließlich Erblindungen verursachen. Beim Laden für ausreichende Belüftung sorgen.
- **GEFAHR DURCH CHEMISCHEN STOFF:** Batterieelektrolyt enthält Schwefelsäure. Kontakt mit den Augen oder der Haut, selbst durch Kleidungsstücke hindurch, kann zu ernsthaften Verätzungen führen. Das Tragen von Gesichtsschutz und Schutzkleidung wird empfohlen.
- **Offenes Feuer und Funken fernhalten und nicht in Batterienähe rauchen.** **GEGENMITTEL:** Wenn Batteriesäure in Ihre Augen gelangt, mit warmem Wasser für wenigstens 15 Minuten ausspülen und danach sofort einen Arzt aufsuchen.
- **GIFT:** Batteriesäure ist giftig.
GEGENMITTEL
 - **Äußerlich:** Reichlich mit Wasser abspülen.
 - **Innerlich:** Große Mengen von Wasser oder Milch trinken. Danach Magnesiamilch oder Pflanzenöl zu sich nehmen und unverzüglich einen Arzt aufsuchen.
- **AUSSERHALB DER REICHWEITE VON KINDERN HALTEN.**

2. Den Motor anlassen.

HINWEIS:

- Die Gleichstrom-Steckdose kann während eines Wechselspannungsbetriebs verwendet werden.
- Wenn der DC-Stromkreis überlastet ist, wird der Gleichstrom-Schaltkreisschutz aktiviert (Drucktaste springt heraus). In diesem Falle einige Minuten lang warten, bevor der Schutzschalter hineingedrückt wird, um den Betrieb fortzusetzen.

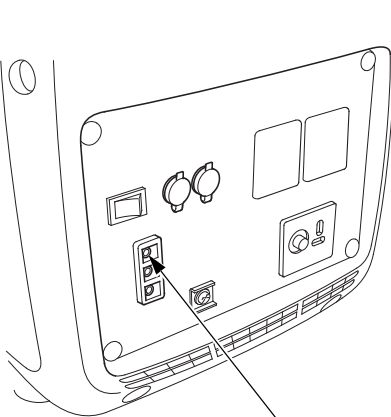


Ölwarnsystem

Das Ölwarnsystem verhindert Motorschäden, die durch eine nicht ausreichende Ölmenge im Kurbelgehäuse entstehen können. Bevor der Ölstand im Kurbelgehäuse unter die Sicherheitsgrenze fallen kann, stoppt das Ölwarnsystem den Motor automatisch (der Zündschalter verbleibt in der Position EIN).

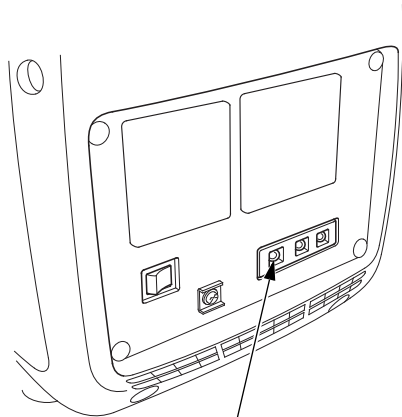
Wenn der Motor durch das Ölwarnsystem abgestellt wird, geht die Ölwarnanzeige (rot) beim Betätigen des Starters an, und der Motor läuft nicht. In diesem Fall ist der Motorölstand zu kontrollieren (siehe Seite 16).

Typen B1, E, F, G, W



ÖLWARNANZEIGE (ROT)

Typ B

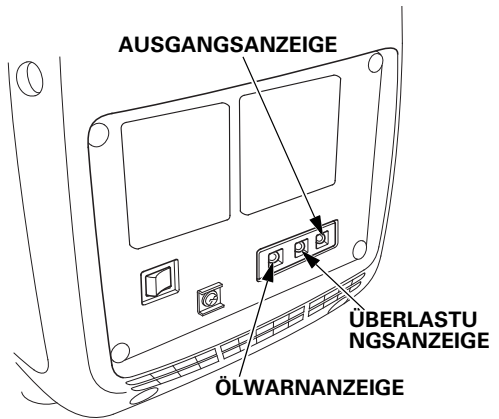
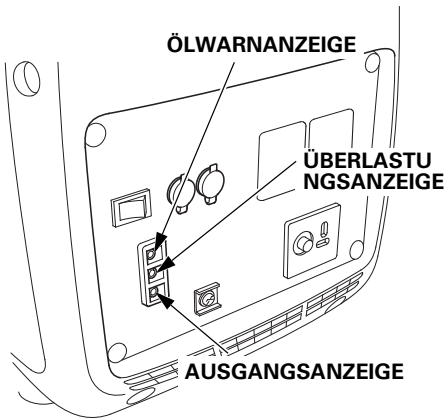


ÖLWARNANZEIGE (ROT)

LED-Lichtmuster

Typen B1, E, F, G, W

Typ B



Status	Mögliche Ursache	Ausgangsanzeige	Überlastungsanzeige	Ölwarnanzeige
Normal	Funktioniert ordnungsgemäß	○	●	●
Fehlfunktion	Fehler des Wechselrichters	●	☼	●
Anormal	Überstrom des Ausgangs	●	○	●
	Überhitzung des Wechselrichters	●	○	●
Warnung	Motorölstand niedrig	●	●	○

○ : EIN

● : AUS

☼ : Blinkt

Siehe *FEHLERSUCHE* auf Seite 51 für die Fehlerdiagnose.

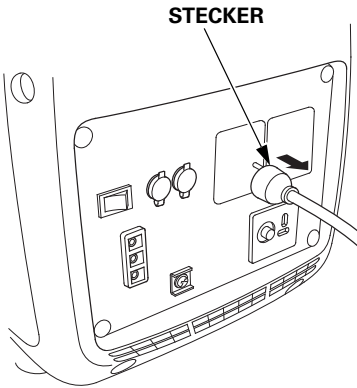
7. ABSTELLEN DES MOTORS

Zum Abstellen des Motors im Notfall den Zündschalter sicher auf die AUS-Position stellen.

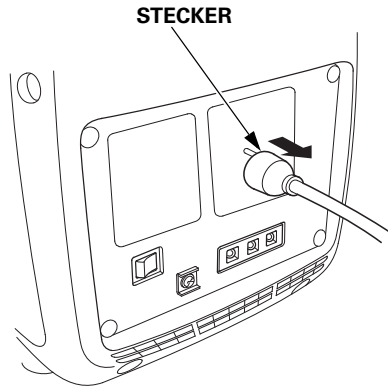
BEI NORMALEM BETRIEB:

1. Das angeschlossene Gerät ausschalten und den Stecker abziehen.

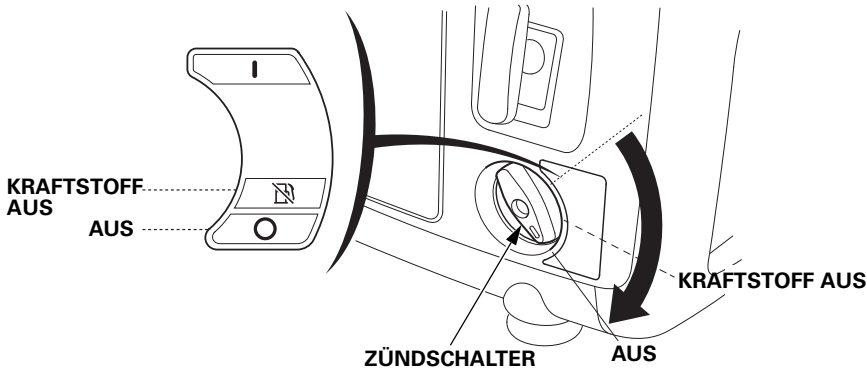
Typen B1, E, F, G, W



Typ B



2. Den Zündschalter sicher auf die AUS-Position stellen.

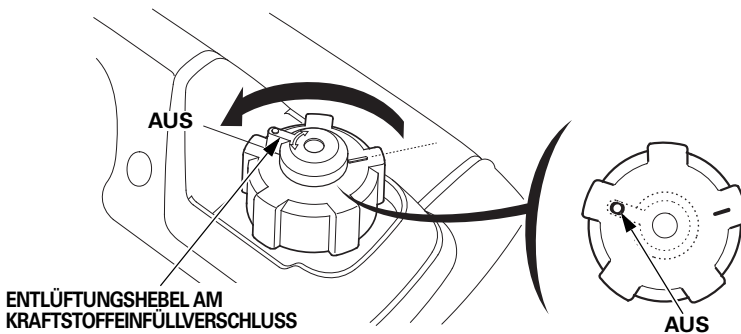


HINWEIS :

Wenn der Generator in der KRAFTSTOFF AUS-Position betrieben wird, bevor der Zündschalter auf die AUS-Position gestellt wird, kann sich die Kraftstoffmenge im Vergaser verringern.

- In der KRAFTSTOFF AUS-Position läuft der Generator für einige Minuten weiter, bis der Kraftstoff im Vergaser verbraucht ist; dann stoppt der Motor.
- Den Zündschalter nach dem Abstellen des Motors auf die AUS-Position stellen.
- Nach dem Abstellen des Motors über die KRAFTSTOFF AUS-Position werden beim Motorneustart zusätzliche Züge des Seilzugstarters erforderlich.

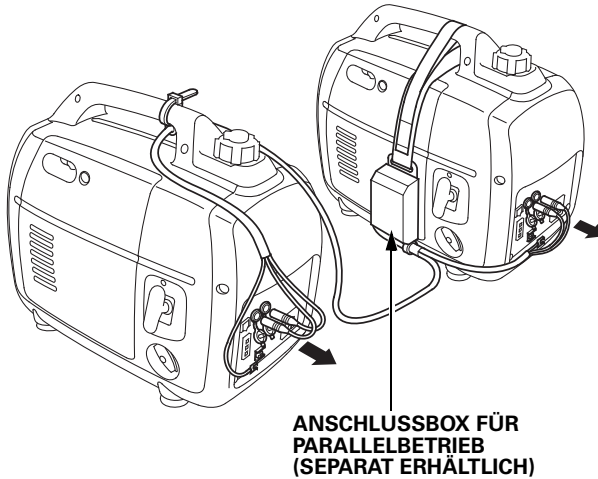
3. Den Entlüftungshebel am Kraftstoffeinfüllverschluss gegen den Uhrzeigersinn in die AUS-Stellung drehen.



VORSICHT:

Sicherstellen, dass bei Stopp, Transport und/oder Einlagerung des Generators der Entlüftungshebel am Kraftstoffeinfüllverschluss und der Zündschalter auf AUS stehen.

4. Wenn zwei Generatoren für Parallelbetrieb miteinander verbunden wurden, nach dem Abschalten der Motoren das Kabel für Parallelbetrieb abziehen (Außer Typ B).



HINWEIS :

Wenn der Generator für lange Zeit nicht verwendet wird, beziehen Sie sich auf Seite 48 für Informationen zum *Vor einer Langzeitlagerung*.

8. WARTUNG

Die regelmäßige Ausführung von Wartungs- und Einstellarbeiten gewährleistet, dass sich der Generator stets in optimalem Betriebszustand befindet. Überprüfungen oder Wartungsarbeiten sind entsprechend der unten stehenden Tabelle auszuführen.

▲ WARNUNG

Bevor mit einer Wartungs- oder Reparaturarbeit begonnen wird, muss der Motor abgestellt sein. Damit können mögliche Gefahren ausgeschaltet werden:

- Kohlenmonoxid-Vergiftung durch Motor-Abgase. Sorgen Sie immer für ausreichende Belüftung, wenn der Motor läuft.
- Verbrennungen durch Berührung heißer Teile. Lassen Sie den Motor und die Auspuffanlage abkühlen, bevor Sie entsprechende Teile anfassen.
- Verletzungen durch Kontakt mit beweglichen Teilen. Lassen Sie den Motor nur dann laufen, wenn Sie dazu angewiesen werden.

Der Auspufftopf wird während des Betriebs sehr heiß und bleibt auch nach dem Abstellen des Motors eine gewisse Zeit lang heiß. Darauf achten, den Auspufftopf in heißem Zustand nicht zu berühren. Vor einer Wartung den Motor abkühlen lassen.

VORSICHT:

Verwenden Sie Original-Honda-Ersatzteile oder Teile gleichwertiger Qualität. Durch den Gebrauch von Ersatzteilen minderwertiger Qualität kann der Generator Schaden nehmen.

Wartungsplan

REGELMÄSSIGES WARTUNGSINTERVALL (1) Wartung bei angegebenem Monat oder Betriebsstundenintervall, je nachdem, was zuerst eintritt.		Bei jedem Einsatz	Erster Monat oder 20 Std.	Alle 3 Monate oder 50 Std.	Alle 6 Monate oder 100 Std.	Alle Jahre oder 200 Std.	Seite	
BAUTEIL								
Motoröl	Stand prüfen	o					15	
	Wechseln		o		o		43	
Luftfilter	Prüfen	o					19	
	Reinigen			o (2)			44	
Zündkerze	Prüfen - einstellen				o		45	
	Austauschen					o		
Ventilspiel	Prüfen - einstellen					o (3)	-	
Verbrennungskammer	Reinigen	Immer nach 300 Std. (3)						-
Kraftstofftank und -filter	Reinigen				o (3)		-	
Kraftstoffleitung	Prüfen	Alle 2 Jahre (gegebenenfalls austauschen) (3)						-

HINWEIS: (1)Bei kommerzieller Nutzung der Pumpe sind die Betriebsstunden zu notieren, um die korrekten Wartungsintervalle einzuhalten.

(2)Unter staubigen Bedingungen ist die Wartung häufiger durchzuführen.

(3)Diese Wartungsarbeiten sollten von Ihrem Wartungshändler ausgeführt werden, es sei denn, Sie verfügen über die richtigen Werkzeuge und Sie sind technisch versiert. Beschreibungen der einzelnen Wartungsverfahren finden Sie im Honda-Werkstatt-Handbuch.

1. ÖLWECHSEL

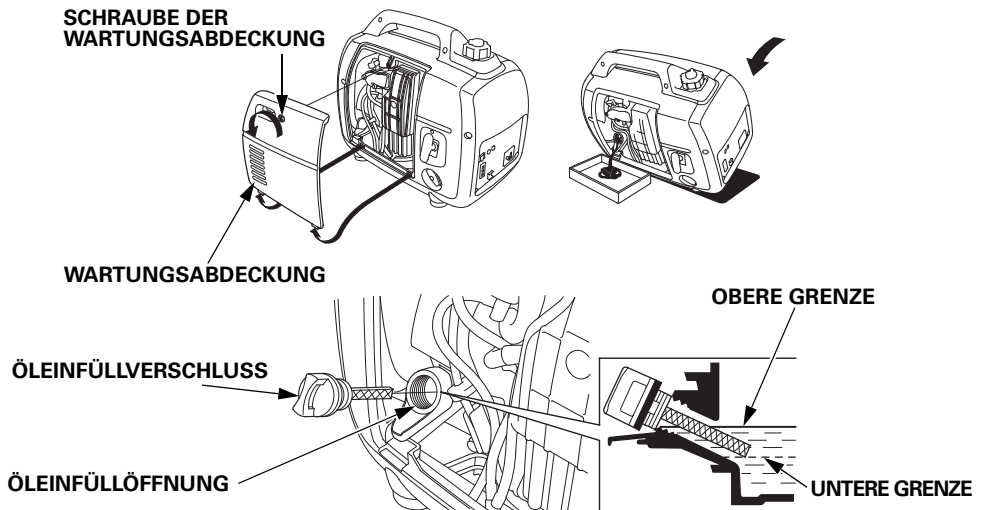
Das Motoröl bei noch warmem Motor ablassen, um ein schnelles und vollständiges Herauslaufen zu gewährleisten.

VORSICHT:

Vor dem Ablassen unbedingt den Zündschalter und den Entlüftungshebel am Kraftstoffeinfüllverschluss auf AUS stellen.

1. Die Schraube der Wartungsabdeckung lösen und die Wartungsabdeckung abnehmen.
2. Den Öleinfüllverschluss entfernen.
3. Verschmutztes Öl vollständig in einen geeigneten Behälter ablaufen lassen.
4. Das empfohlene Motoröl einfüllen (siehe Seite 15), dann den Motorölstand überprüfen.
5. Verschüttetes Öl vollständig vom Generator abwischen.
6. Den Öleinfüllverschluss wieder einbauen.
7. Die Wartungsabdeckung wieder einbauen und die Schraube der Wartungsabdeckung anziehen.

MOTORÖLMENGE: 0,44 l



Nach dem Kontakt mit Altöl die Hände gründlich mit Wasser und Seife reinigen.

HINWEIS:

Bei der Beseitigung des Altöls bitte die entsprechenden Umweltschutzbestimmungen beachten. Wir empfehlen, dass Sie das Altöl zu Ihrer örtlichen Tankstelle bringen. Das gebrauchte Motoröl nicht in den Abfall werfen oder auf den Boden gießen.

2. WARTUNG LUFTFILTER

Ein verschmutzter Luftfilter behindert den Zufluss von Ansaugluft zum Vergaser. Der Luftfilter muss regelmäßig gewartet werden, um eine Betriebsstörung des Vergasers zu vermeiden. Bei Betrieb in einer sehr staubigen Umgebung den Filter häufiger warten.

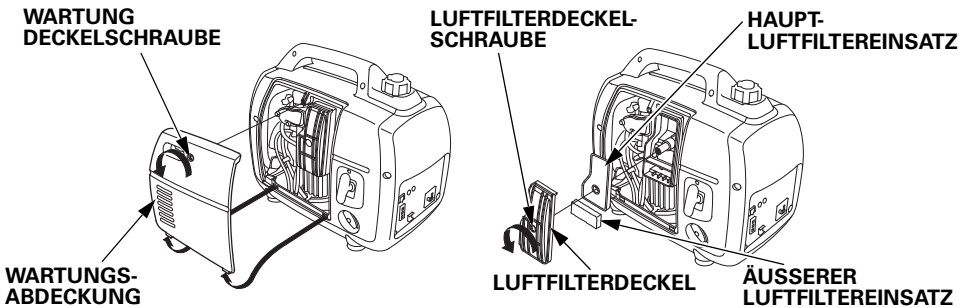
▲ WARNUNG

Niemals Benzin oder Reinigungslösungen mit niedrigem Entflammungspunkt zum Reinigen des Luftfiltereinsatzes verwenden. Ein Feuer oder eine Explosion könnte die Folge sein.

VORSICHT:

Den Generator niemals ohne Luftfilter betreiben. Dies führt zu schnellem Motorverschleiß.

1. Die Schraube der Wartungsabdeckung lösen und die Wartungsabdeckung abnehmen.
2. Die Luftfilterdeckelschraube lösen und den Luftfilterdeckel abnehmen.



3. In warmer Seifenlauge reinigen, spülen und gut trocknen lassen bzw. in Lösungsmittel mit hohem Flammpunkt reinigen und trocknen lassen. Tauchen Sie den Haupt-Einsatz und den äußeren Einsatz in sauberes Motoröl und drücken Sie überschüssiges Öl aus. Wenn zu viel Öl im Schaumstoffeinsatz verbleibt, kommt es beim Starten zu verstärkter Rauchbildung.

Reinigen

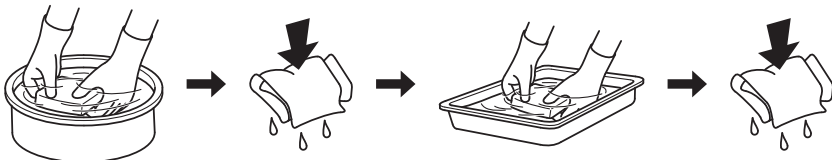
Drücken und trocknen

In Öl tauchen

Drücken

Nicht drehen.

Nicht drehen.



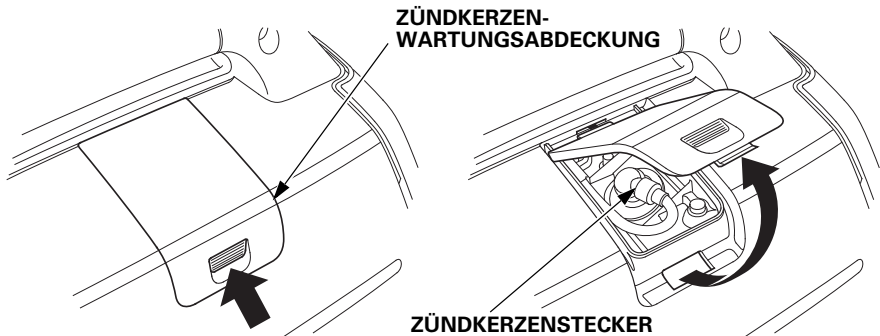
4. Haupt- und Außenluftfiltereinsatz sowie Luftfilterdeckel wieder anbringen. Die Luftfilterdeckelschraube anziehen.
5. Die Wartungsabdeckung wieder einbauen und die Schraube der Wartungsabdeckung anziehen.

3. ZÜNDKERZENWARTUNG

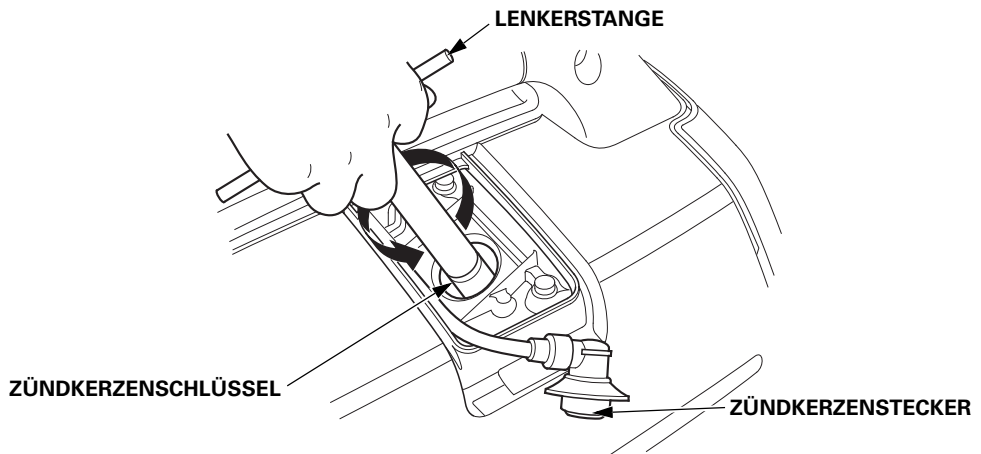
EMPFOHLENE ZÜNDKERZEN: CR5HSB (NGK)

Um einwandfreien Motorbetrieb zu gewährleisten, muss die Zündkerze einen korrekten Elektrodenabstand haben und frei von Verbrennungsrückständen sein.

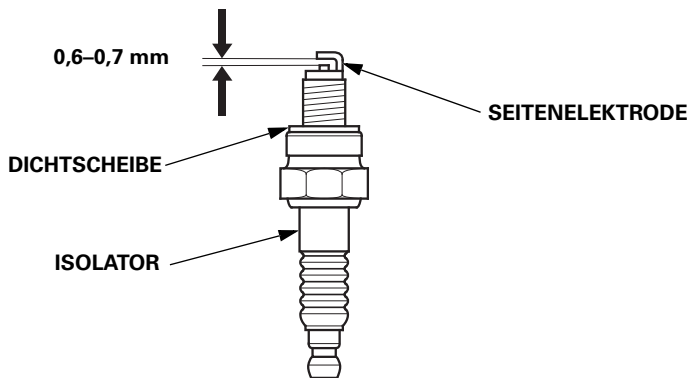
1. Die Wartungsabdeckung der Zündkerze entfernen.



2. Den Zündkerzenstecker entfernen.
3. Die Zündkerzenbasis von jeglichem Schmutz befreien.
4. Die Zündkerze mit einem Zündkerzenschlüssel losdrehen.



-
- Die Zündkerze einer Sichtprüfung unterziehen. Entsorgen, wenn der Isolator Risse oder Absplitterungen aufweist bzw. sonst beschädigt ist. Wenn die Zündkerze wieder verwendet werden soll, sie mit einer Drahtbürste reinigen.
 - Den Elektrodenabstand mit einer Fühlerlehre messen.
Durch Biegen der Seitenelektrode den korrekten Abstand herstellen.
Erforderlicher Elektrodenabstand:
0,6 – 0,7 mm



- Schrauben Sie die Zündkerze von Hand ein, um eine Gewindeüberschneidung zu vermeiden.
- Nachdem eine neue Zündkerze von Hand bis zum Aufsitzen eingedreht worden ist, muss sie mit einem Schlüssel um eine weitere 1/2 Drehung nachgezogen werden, um ihre Dichtungsscheibe zusammenzudrücken.
Wenn eine gebrauchte Zündkerze wieder verwendet wird, so ist diese nach dem Aufsitzen nur um eine weitere 1/8 bis 1/4 Drehung nachzuziehen.
- Den Zündkerzenstecker wieder fest auf die Zündkerze aufschieben.
- Die Wartungsabdeckung der Zündkerze wieder anbringen.

VORSICHT:

- Die Zündkerze muss sicher angezogen werden. Eine nicht richtig angezogene Zündkerze kann sehr heiß werden und möglicherweise den Generator beschädigen.
- Niemals eine Zündkerze mit einem anderen Wärmewert verwenden.

9. TRANSPORT/LAGERUNG

Um ein Verschütten von Kraftstoff beim Transportieren oder zeitweisen Verstauen des Generators zu vermeiden, muss dieser aufrecht in normaler Betriebsposition bei auf AUS stehendem Zündschalter gesichert werden. Der Entlüftungshebel am Kraftstoffeinfüllverschluss wurde im Gegenuhrzeigersinn ganz auf AUS gedreht. Den Motor gut abkühlen lassen, bevor der Entlüftungshebel am Kraftstoffeinfüllverschluss auf AUS gedreht wird.

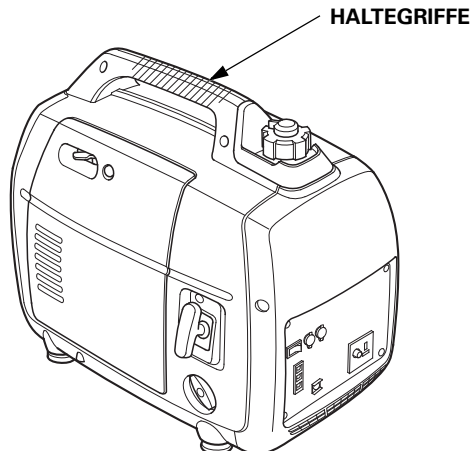
⚠ WARNUNG

Hinweise zum Transport des Generators:

- **Darauf achten, dass der Kraftstofftank nicht überfüllt wird (es darf sich kein Kraftstoff im Einfüllstutzen befinden).**
- **Der Generator darf nicht betrieben werden, wenn er sich auf einem Fahrzeug befindet. Für den Einsatz muss der Generator abgeladen und in einer gut belüfteten Umgebung aufgestellt werden.**
- **Wenn der Generator in einem Fahrzeug verstaut wird, darf dieses nicht in der prallen Sonne stehen gelassen werden. Wenn der Generator längere Zeit in einem geschlossenen Fahrzeug verbleibt, kann die Temperatur so hoch ansteigen, dass der Kraftstoff verdunstet und eine Explosion verursacht.**
- **Den Generator nicht für längere Zeit über schlechte Wegstrecken transportieren. Wenn ein Transport auf unebenen Straßen unvermeidlich ist, muss vorher der Kraftstoff abgelassen werden.**

HINWEIS:

Den Generator zum Transportieren am Halteteil anfassen (schraffierte Bereiche in der Abbildung unten).



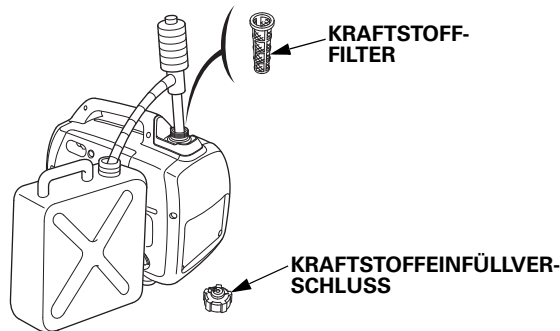
Vor einer Langzeitlagerung:

1. Sich vergewissern, dass der für die Lagerung vorgesehene Ort trocken und staubfrei ist.
2. Den Kraftstoff ablassen.

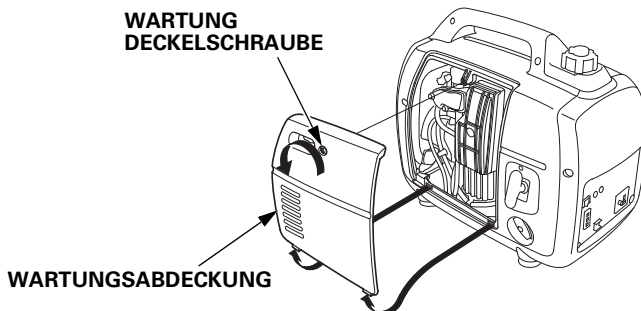
▲ WARNUNG

Benzin ist äußerst feuergefährlich und unter gewissen Bedingungen explosiv. Diese Arbeiten müssen in einem gut belüfteten Raum sowie bei abgestelltem Motor erfolgen. Während dieser Arbeiten nicht rauchen; offene Flammen und Funken sind fernzuhalten.

- a. Den Kraftstoffeinfüllverschluss abschrauben (siehe Seite 17), den Kraftstoff-Filter ausbauen und den Inhalt des Kraftstofftanks in einen zugelassenen Benzinkanister entleeren. Wir empfehlen, zum Entleeren des Tanks eine im Handel erhältliche Benzin-Handpumpe zu verwenden. Vom Gebrauch einer Elektropumpe wird abgeraten. Kraftstoff-Filter und Kraftstoffeinfüllverschluss wieder anbringen.

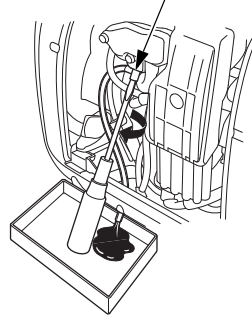


- b. Die Schraube der Wartungsabdeckung lösen und die Wartungsabdeckung ausbauen (siehe Seite 43).

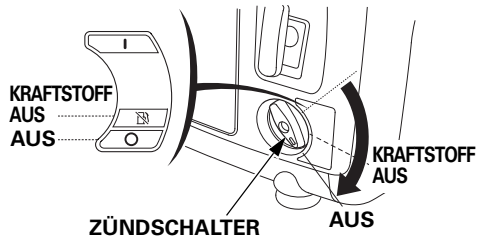


- c. Die Vergaserablass-Schraube lösen und das Benzin aus dem Vergaser in einen geeigneten Behälter laufen lassen.

VERGASERABLASS-SCHRAUBE

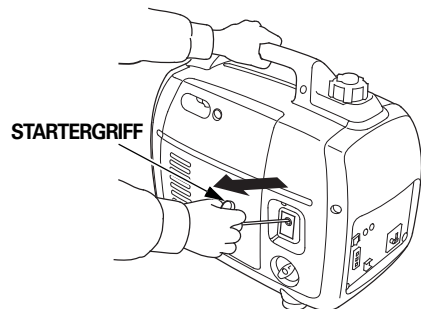


- d. Die Zündkerzen-Wartungsabdeckung und den Zündkerzenstecker ausbauen (siehe Seite 45).
e. Den Zündschalter auf EIN stellen (siehe Seite 20).
f. 3 oder 4 Mal den Startergriff ziehen (siehe Seite 21) und das Benzin aus der Kraftstoffpumpe in einen geeigneten Behälter entleeren.
g. Den Zündschalter sicher auf die AUS-Position stellen.



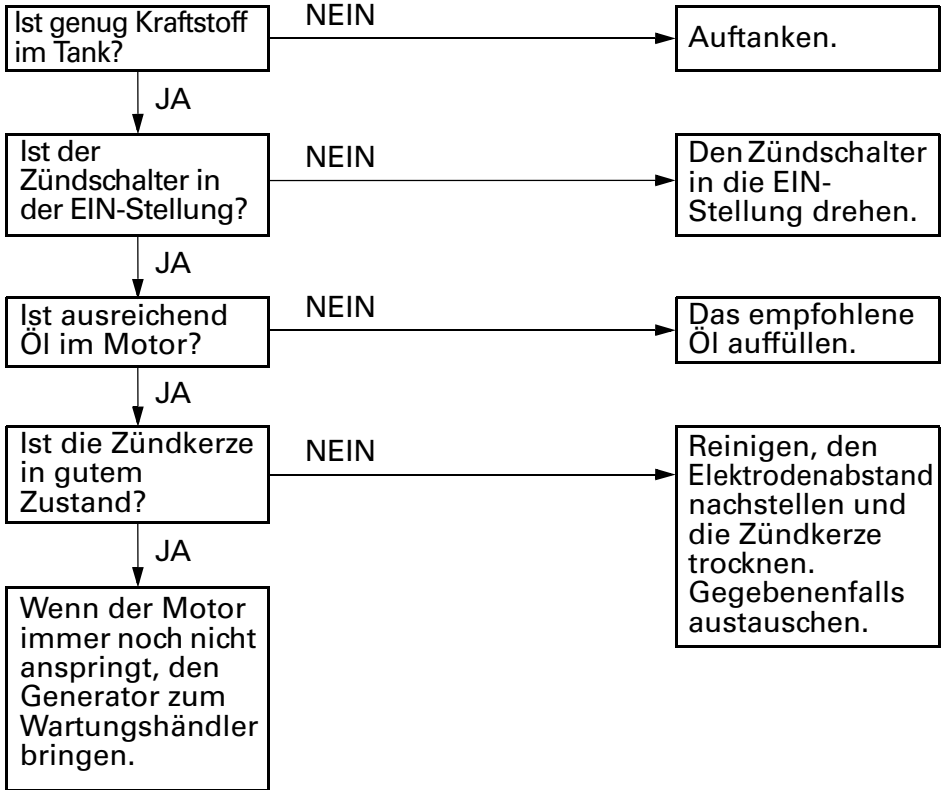
- h. Die Vergaserablass-Schraube anziehen.

3. Das Motoröl wechseln (siehe Seite 43).
4. Die Zündkerze herausdrehen und etwa einen Esslöffel sauberes Motoröl in den Zylinder gießen. Den Motor mehrmals durchdrehen, um das Öl zu verteilen und die Zündkerze wieder einschrauben (siehe Seite 45).
5. Den Startergriff ziehen, bis ein Widerstand verspürt wird. In diesem Zustand führt der Kolben den Kompressionshub aus, und die Einlass- und Auslassventile sind geschlossen. Eine Lagerung des Motors in dieser Stellung bewirkt, dass das Innere des Motors besser vor Korrosion geschützt ist.

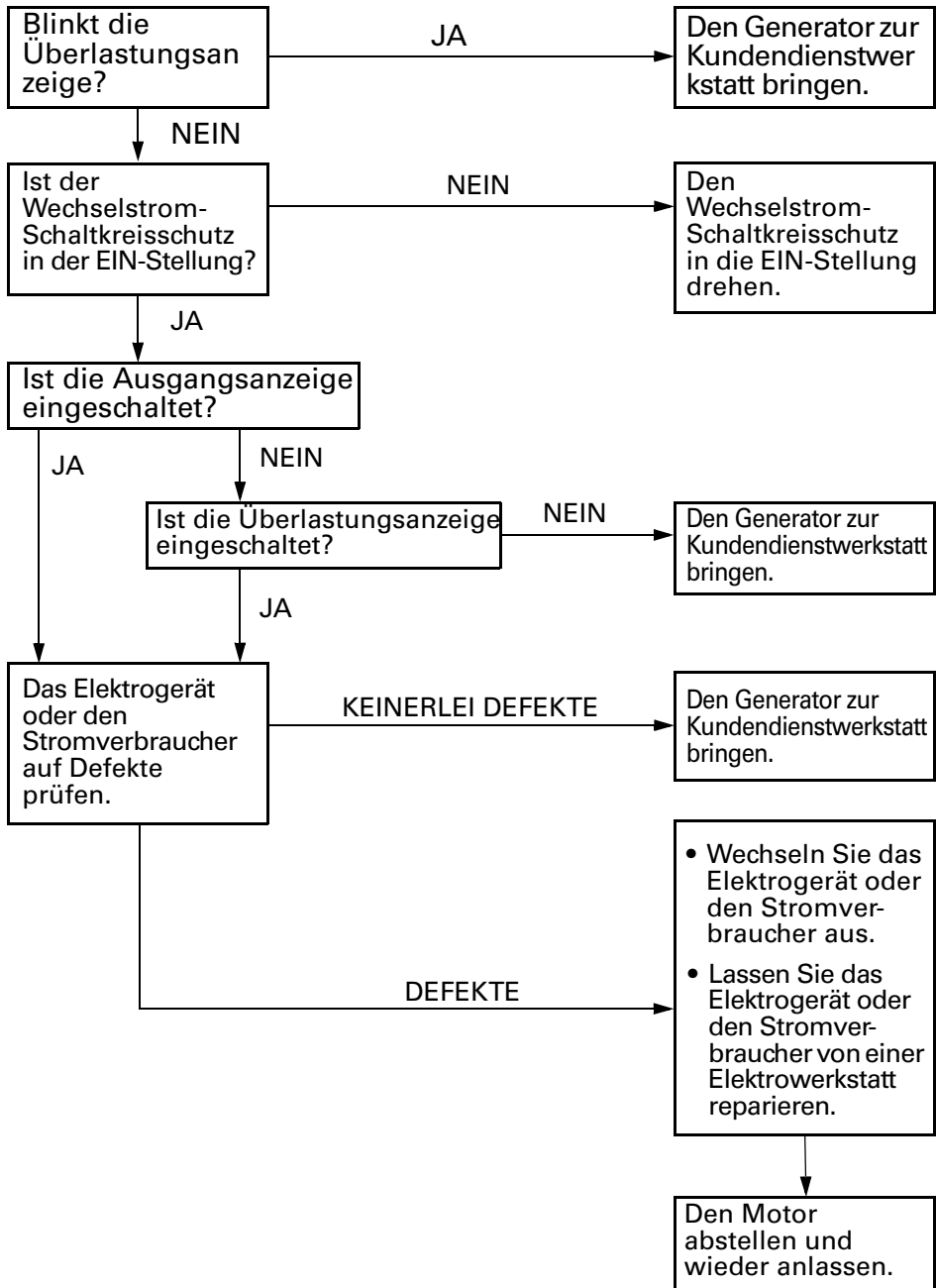


10. FEHLERSUCHE

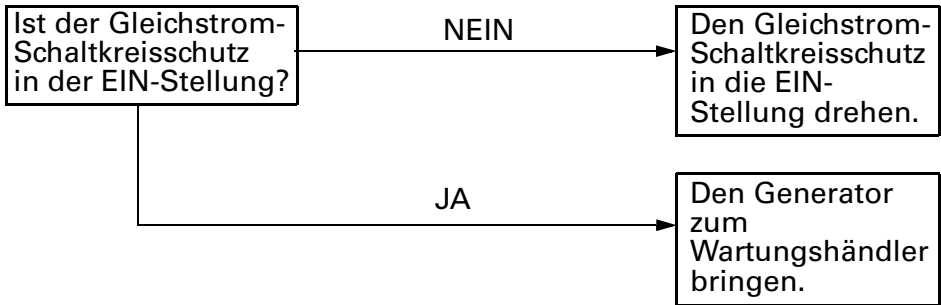
Wenn der Motor nicht anspringt:



Das Gerät funktioniert nicht:



Keine Spannung an der Gleichstromsteckdose (Außer Typ B):



11. TECHNISCHE DATEN

Abmessungen und Gewichte

Modell	EU22iT		
Typ	E, W, B1, F	G	B
Beschreibungscode	EAMT		
Länge	509 mm	519 mm	541 mm
Breite	290 mm		
Höhe	425 mm		
Trockenmasse	21,2 kg		

Motor

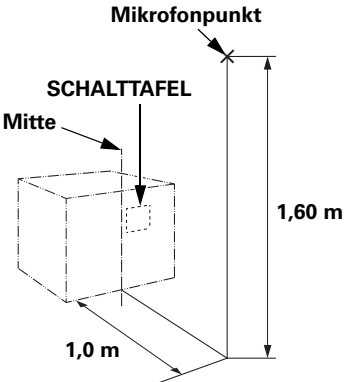
Modell	GXR120T
Motor	4-Takt, OHC, Einzylinder
Hubraum	121 cm ³
Bohrung × Hub	60,0 × 43,0 mm
Verdichtungsverhältnis	8,5:1
Motordrehzahl	2 800–4 500 U/min 4 000–4 500 U/min (bei ausgeschalteter Eco-Drosselklappe)
Kühlsystem	gebläsegekühlt
Zündung	Volltransistor
Motorölmenge	0,44 l
Kraftstofftankinhalt	3,6 l
Zündkerze	CR5HSB (NGK)
Kohlendioxidemissionen (CO ₂)*	931 g/kW·hr

* Diese CO₂-Messergebnisse beruhen auf einem festen Prüfzyklus unter Laborbedingungen eines repräsentativen Motors (Stammmotor) des Motortyps (Motorfamilie) und geben keine Garantie über die Leistung eines bestimmten Motors.

Generator

Modell		EU22iT	
Typ		E, W, B1, F, G	B
AC Ausgang	Nennspannung	230 V	110 V
	Nennfrequenz	50 Hz	
	Nennstärke	7,8 A	16,4 A
	Nennleistung	1,8 kVA	
	Max. Leistung	2,2 kVA	
Nennleistung Gleichstrom		Nur für 12 V Autobatterien. 12 V, 8,3 A	–

Geräusch

Modell	EU22iT
Typ	E, W, B1, F, G, B
Schalldruckpegel am Arbeitsbereich (2006/42/EG)	72 dB (A) (bei aktiviertem Eco-Drosselklappensystem (EIN))
 <p>Mikrofonpunkt</p> <p>SCHALTTAFEL</p> <p>Mitte</p> <p>1,60 m</p> <p>1,0 m</p>	
Abweichung	2 dB (A)
Gemessener Schall-Leistungspegel (2000/14/EG, 2005/88/EG)	88 dB (A) (bei aktiviertem Eco-Drosselklappensystem (EIN))
Abweichung	2 dB (A)
Garantierter Schall-Leistungspegel (2000/14/EG, 2005/88/EG)	90 dB (A) (bei aktiviertem Eco-Drosselklappensystem (EIN))

“Bei den angegebenen Werten handelt es sich um Emissionspegel, die nicht unbedingt als sichere Arbeitspegel zu betrachten sind. Obwohl eine Korrelation zwischen Emissions- und Expositionspegeln besteht, kann auf dieser Grundlage keine zuverlässige Entscheidung darüber getroffen werden, ob weitere Vorsichtsmaßnahmen erforderlich sind oder nicht. Faktoren, die den tatsächlichen Expositionspegel der Arbeitskraft beeinflussen, umfassen die Eigenschaften des Arbeitsraums und andere Geräuschquellen, wie z. B. durch die Anzahl der Maschinen und andere in der Nähe ablaufende Prozesse bedingt, sowie die Zeitdauer, während der eine Bedienungsperson dem Geräusch ausgesetzt ist. Der zulässige Expositionspegel kann auch von Land zu Land verschieden sein. Diese Informationen ermöglichen es dem Benutzer der Maschine jedoch, die vorliegenden Gefahren und Risiken besser einzuschätzen.”

HINWEIS:

Die technischen Daten können ohne vorherige Ankündigung geändert werden.

12. SCHALTPLAN

INDEX

(siehe dritte Umschlagseite)

Typen B1, E, F, G, W.....	W-1
Typ B.....	W-2

ABKÜRZUNGEN

Symbol	Teilename	Symbol	Teilename
AC, CP	Wechselstrom-Schaltkreisschutz	SpU	Zündkerzeneinheit
ACOR	Wechselstrom-Ausgangssteckdose	StpM	Schrittmotor
(B1)	Typ B1		(Drosselklappensteuerung)
Cot	Steckdose für Parallelbetrieb	SW	Nebenwicklung
CPB	Schalttafelblock	To Ge	Zum Generator
DC, CP	Gleichstrom-Schaltkreisschutz	(W)	Typ W
DC, D	Gleichstrom-Diode		
DC, NF	Gleichstrom-Geräuschfilter		
DCOR	Gleichstrom-Ausgangssteckdose		
DC, W	Gleichstromwicklung	BI	SCHWARZ
EcoSw	Eco-Drosselklappenschalter	Y	GELB
EgB	Motorblock	Bu	BLAU
EgG	Motormasse	G	GRÜN
ESw	Zündschalter	R	ROT
ExW	Erregerwicklung	W	WEISS
FrB	Rahmenblock	Br	BRAUN
FrG	Rahmenmasse	Lg	HELLGRÜN
FTU	Volltransistor-Einheit	Gr	GRAU
(F)	Typ F	Sb	HIMMELBLAU
(G, E)	Typen G, E	O	ORANGE
GeB	Generatorblock	P	ROSA
GT	Masseklemme		
IB	Wandler-Block		
IgC	Zündspule		
IU	Wandler		
MW	Hauptwicklung		
OAL	Ölwarnanzeige		
OAU	Ölwarneinheit		
OI	Überlastungsanzeige		
OLSw	Ölstandschalter		
PC	Impulsspule		
PL	Ausgangsanzeige		
RBx	Anschlussbox für Parallelbetrieb		
SP	Zündkerze		

KABELFARBENCODE

BI	SCHWARZ
Y	GELB
Bu	BLAU
G	GRÜN
R	ROT
W	WEISS
Br	BRAUN
Lg	HELLGRÜN
Gr	GRAU
Sb	HIMMELBLAU
O	ORANGE
P	ROSA


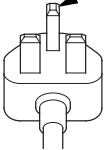
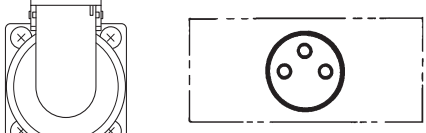
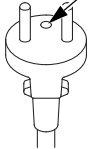

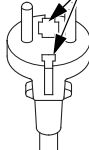

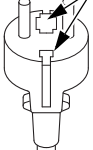

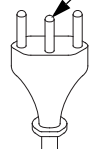
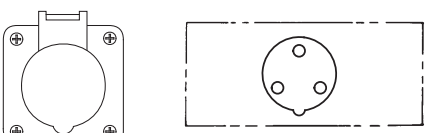
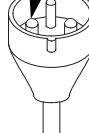
ZUNDSCHALTER

	G	BI
AUS	o	o
EIN		

ECO-DROSSELKLAPPENSCHALTER

	R/W	R/Y
EIN		
AUS	o	o

STECKDOSE

Typ	Form	Stecker
B1		<p>MASSESTIFT</p> 
F		<p>MASSESTIFT</p> 
E		<p>MASSESTIFT</p> 
G		<p>MASSESTIFT</p> 
W		<p>MASSESTIFT</p> 
B		<p>MASSESTIFT</p> 

NOTIZEN

Honda EU22i

MANUALE DELL'UTENTE
Traduzione delle istruzioni originali



La ringraziamo per aver acquistato un generatore Honda.

Il presente manuale descrive le procedure d'uso e manutenzione del generatore EU22i.

Tutte le informazioni contenute in questa pubblicazione si basano sulle più recenti informazioni sul prodotto disponibili al momento della stampa.

Honda Motor Co., Ltd. si riserva il diritto di apportare modifiche in qualunque momento senza preavviso e senza incorrere in alcun obbligo.

Nessuna parte di questa pubblicazione può essere riprodotta senza autorizzazione scritta.

Questo manuale va considerato come parte integrante del generatore e dovrà quindi accompagnare il prodotto anche in caso di rivendita.

Prestare particolare attenzione alle indicazioni precedute dalle seguenti parole:

▲ ATTENZIONE Indica una forte possibilità di gravi lesioni personali o di morte nel caso in cui non ci si attenga alle istruzioni.

AVVERTENZA: Indica la possibilità di lesioni personali o alle attrezzature in caso di mancata osservanza delle istruzioni.

NOTA: Fornisce informazioni utili.

In caso di problemi o domande concernenti il generatore, rivolgersi a un concessionario autorizzato Honda.

▲ ATTENZIONE

Il generatore Honda è progettato per garantire un funzionamento sicuro e affidabile se utilizzato secondo le istruzioni. Leggere attentamente il Manuale d'uso e manutenzione prima di azionare il generatore. In caso contrario potrebbero verificarsi lesioni personali o danni alle attrezzature.

Le illustrazioni possono variare a seconda del modello.

INDICE

1. NORME DI SICUREZZA	3
2. POSIZIONE DELLE ETICHETTE DI SICUREZZA	7
• Posizione marchio CE ed etichetta del livello acustico.....	10
3. IDENTIFICAZIONE COMPONENTI	11
4. CONTROLLI PRELIMINARI	15
5. AVVIAMENTO DEL MOTORE.....	20
• Modifica del carburatore per il funzionamento ad altitudini elevate	23
6. USO DEL GENERATORE	24
7. ARRESTO DEL MOTORE	39
8. MANUTENZIONE.....	42
9. TRASPORTO/STOCCAGGIO	47
10. RICERCA GUASTI	50
11. SPECIFICHE.....	53
12. SCHEMA ELETTRICO	56
PRESA.....	57
INDIRIZZI DEI PRINCIPALI DISTRIBUTORI Honda	Fine manuale
DESCRIZIONE DEL CONTENUTO DELLA "Dichiarazione CE di Conformità"	Fine manuale

1. NORME DI SICUREZZA

INFORMAZIONI IMPORTANTI SULLA SICUREZZA

I generatori Honda sono progettati per essere usati con attrezzature elettriche dotate dei requisiti elettrici adeguati. Un utilizzo di diverso tipo potrebbe causare lesioni all'operatore o danni al generatore e ad altre proprietà. Per prevenire incidenti è necessario attenersi alle istruzioni riportate nel presente manuale e sul generatore stesso. Di seguito verranno illustrati i rischi più comuni e alcuni consigli per proteggere se stessi e gli altri.

Non tentare mai di apportare modifiche al generatore. Questo potrebbe provocare incidenti o danni al generatore e alle apparecchiature a esso collegate.

In caso di intervento sul motore si annulla l'approvazione del tipo UE del motore stesso.

- Non collegare prolunghe al silenziatore.
- Non modificare il sistema di aspirazione.
- Non eseguire regolazioni sul regolatore.
- Non rimuovere il pannello comandi né modificare la disposizione dei cavi.

Responsabilità dell'operatore

Acquisire familiarità con le procedure necessarie ad arrestare rapidamente il generatore in caso di emergenza.

Acquisire familiarità con comandi del generatore, prese di uscita e collegamenti.

Accertarsi che tutti coloro che utilizzano il generatore abbiano ricevuto adeguate istruzioni relative al suo funzionamento. Non permettere ai bambini di usare il generatore senza la supervisione di un adulto.

Rispettare le istruzioni sull'utilizzo e la manutenzione del generatore riportate nel presente manuale. Una mancata o parziale osservanza delle istruzioni può causare incidenti come scosse elettriche, nonché il deterioramento dei gas di scarico.

Attenersi a tutte le leggi e le normative in vigore nel paese in cui deve essere utilizzato il generatore.

La benzina e l'olio sono prodotti tossici. Prima dell'uso, leggere le istruzioni fornite da ciascun produttore.

Posizionare il generatore in piano prima di azionarlo.

Non azionare il generatore se anche uno dei coperchi è rimosso. Mani o piedi potrebbero restare impigliati nel generatore e causare incidenti.

Per lo smontaggio e gli interventi di manutenzione del generatore non previsti nel presente manuale, rivolgersi al proprio concessionario autorizzato Honda.

Pericoli di intossicazione da monossido di carbonio

I gas di scarico contengono monossido di carbonio, un gas tossico incolore e inodore. L'inalazione di tali gas può causare perdita di conoscenza e portare al decesso.

Se si aziona il generatore in un ambiente chiuso o ristretto, l'aria che si respira potrebbe contenere una quantità pericolosa di gas di scarico.

Non azionare mai il generatore all'interno garage, abitazioni o in prossimità di porte o finestre aperte.

Pericolo di scosse elettriche

Il generatore produce una quantità di energia elettrica sufficiente a provocare scosse elettriche di notevole intensità o elettrocuzione in caso di uso improprio.

L'utilizzo del generatore o delle apparecchiature elettriche in condizioni di elevata umidità, come in caso di pioggia o in presenza di neve, in prossimità di specchi d'acqua o impianti di irrigazione, oppure con le mani bagnate, potrebbe provocare elettrocuzione.

Tenere il generatore asciutto.

Se il generatore viene conservato all'aperto, senza alcuna protezione dagli agenti atmosferici, controllare tutti i componenti elettrici sul pannello di controllo prima di ogni utilizzo. Umidità e ghiaccio possono causare guasti o cortocircuiti nei componenti elettrici provocando elettrocuzione.

In caso di elettrocuzione, consultare immediatamente un medico e sottoporsi a cure adeguate.

Per il funzionamento parallelo, usare esclusivamente una scatola per presa elettrica approvata da Honda (attrezzatura opzionale) per il collegamento delle combinazioni di generatore indicate di seguito.

EU22i ed EU22i

EU22i ed EU20i *

* Il modello EU22i può essere accoppiato solo con i modelli EU20i che presentano numeri di serie entro gli intervalli indicati di seguito.

Numero di serie del telaio di EU20i applicabile	EAAJ-2032188 e successivo
	EACT-1000001 e successivo

Non collegare mai un generatore EU22i a un modello di generatore differente, diverso dai modelli specificati in precedenza.

Pericolo di incendi e ustioni

Non usare il generatore in zone a elevato rischio di incendio.

Il sistema di scarico può surriscaldarsi fino al punto da infiammare alcuni tipi di materiali.

- Durante l'utilizzo, tenere il generatore ad almeno 1 metro di distanza da edifici e altre attrezzature.
- Non chiudere il generatore in nessun tipo di struttura.
- Tenere i materiali infiammabili lontani dal generatore.

Alcune parti del motore a combustione interna diventano molto calde e potrebbero provocare ustioni. Prestare attenzione alle avvertenze riportate sul generatore.

Durante il funzionamento, il silenziatore raggiunge temperature elevate e resta caldo per diverso tempo dopo lo spegnimento del motore. Evitare di toccare il silenziatore fintanto che è caldo. Lasciar raffreddare il motore prima di riporre il generatore in un luogo chiuso.

In caso di incendio, evitare tentare di estinguerlo versando acqua direttamente sul generatore. Usare un estintore apposito per incendi provocati da componenti elettrici o oli.

In caso di inalazione dei fumi generati da un incendio accidentale del generatore, consultare un medico e richiedere un trattamento medico immediato.

Prestare la massima attenzione durante i rifornimenti

La benzina è altamente infiammabile e, in certe condizioni i vapori di benzina possono, esplodere. Attendere il raffreddamento del motore dopo l'utilizzo del generatore.

Eeguire il rifornimento esclusivamente in aree ben ventilate e a motore spento.

Non rifornire il serbatoio mentre il generatore è in funzione.

Non riempire eccessivamente il serbatoio del carburante.

Non fumare in prossimità della benzina, e tenere lontano altre qualunque fonte di scintille o fiamme.

Riporre la benzina sempre in un contenitore apposito.

Assicurarsi che il carburante fuoriuscito sia stato asciugato prima di avviare il motore.

Conformità alle norme antiesplorione

Questo generatore non è conforme alle norme di sicurezza antiesplorione.

Smaltimento

Nel rispetto dell'ambiente, non smaltire il generatore, la batteria, l'olio motore, ecc. del generatore insieme ai normali rifiuti. Attenersi alle leggi o normative locali o rivolgersi al proprio concessionario autorizzato Honda per smaltire tali componenti.

Smaltire l'olio esausto secondo metodi e procedure conformi al rispetto dell'ambiente. Si consiglia di consegnare l'olio esausto in un contenitore sigillato alla stazione di servizio locale per il recupero. Non gettare l'olio nel contenitore dei rifiuti urbani né versarlo a terra.

Una batteria smaltita in modo inappropriato può danneggiare l'ambiente. Verificare sempre le norme locali vigenti per lo smaltimento delle batterie. Contattare il proprio rivenditore per la sostituzione.

SMALTIMENTO GENERATORE



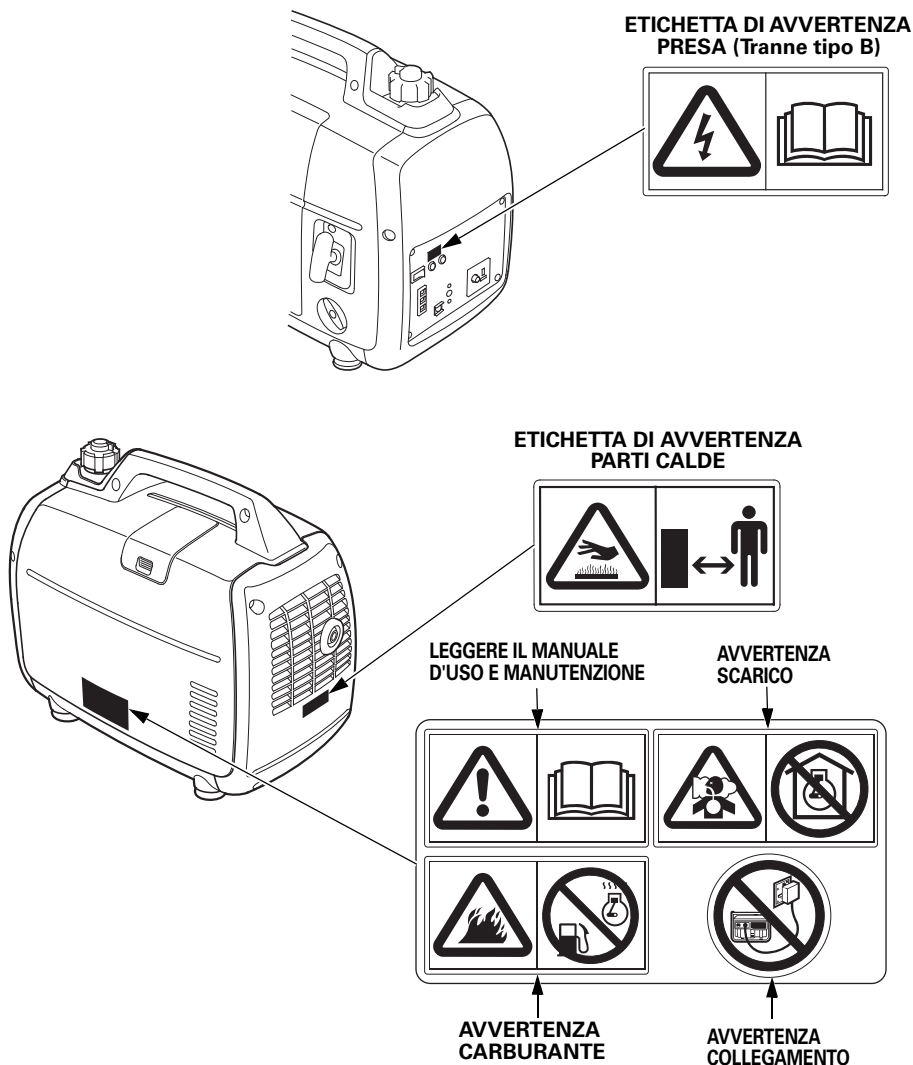
Non smaltire le apparecchiature elettriche con i rifiuti domestici tradizionali. Le apparecchiature elettriche devono essere smaltite in discariche o depositi specifici in quanto contenenti sostanze che possono fuoriuscire e causare reazioni impreviste, oppure entrare nella catena alimentare, danneggiando salute e benessere degli esseri umani. Per ulteriori informazioni sulle modalità di smaltimento di questo prodotto, contattare il concessionario, oppure il più vicino centro di raccolta dei rifiuti domestici.

2. POSIZIONE DELLE ETICHETTE DI SICUREZZA

Queste etichette indicano i potenziali pericoli che possono causare lesioni gravi. Leggere attentamente le etichette, le norme di sicurezza e le precauzioni riportate nel presente manuale.

Se le etichette dovessero staccarsi o diventare illeggibili, rivolgersi al concessionario Honda per la sostituzione.

[Per modello europeo: Tipi B, B1, E, F, G, W]



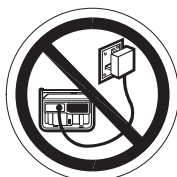


- Il generatore Honda è progettato per garantire un funzionamento sicuro e affidabile se utilizzato secondo le istruzioni.

Leggere attentamente il Manuale d'uso e manutenzione prima di azionare il generatore. In caso contrario potrebbero verificarsi lesioni personali o danni alle attrezzature.



- I gas di scarico contengono monossido di carbonio, un gas tossico incolore e inodore. Respirare monossido di carbonio può causare la perdita di coscienza e portare alla morte.
- Se si aziona il generatore in un ambiente chiuso o ristretto, l'aria che si respira potrebbe contenere una quantità pericolosa di gas di scarico.
- Non azionare mai il generatore all'interno di un garage, di un'abitazione o in prossimità di porte o finestre aperte.



- Collegamenti impropri all'impianto elettrico di un edificio possono causare un ritorno di corrente dal generatore verso le linee della rete elettrica. Tale corrente di ritorno potrebbe causare la folgorazione del personale dell'azienda elettrica o di coloro che entrano in contatto con le linee durante un'interruzione dell'alimentazione; inoltre, al momento del ripristino dell'alimentazione di rete, il generatore potrebbe esplodere, infiammarsi o provocare incendi. Consultare l'azienda elettrica o un elettricista qualificato prima di eseguire qualsiasi collegamento elettrico.



- **La benzina è altamente infiammabile ed esplosiva. Spegner il motore e farlo raffreddare prima di effettuare il rifornimento.**



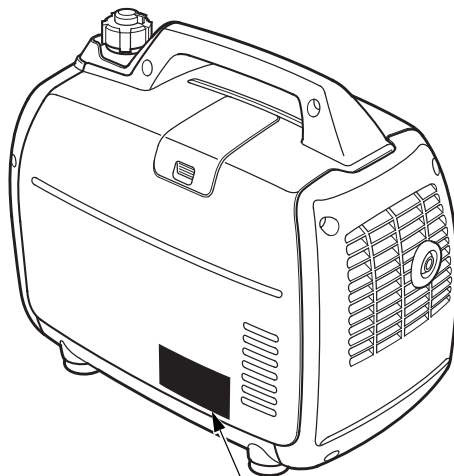
- **Collegare e rimuovere la scatola della presa per il funzionamento parallelo a motore spento.**
- **Per il funzionamento in modalità singola, è necessario rimuovere la scatola presa utilizzata per il funzionamento in modalità parallela.**



- **Un sistema di scarico bollente può causare gravi ustioni. Evitare il contatto con il motore dopo che è stato utilizzato.**

• Posizione marchio CE ed etichetta del livello acustico

[Per modello europeo: Tipi B, B1, E, F, G, W]



SIMBOLO CE e TARGHETTA PER IL RUMORE
[Esempio: Tipi B1, E, F, G e W]

ETICHETTA LIVELLO ACUSTICO

Classe di prestazione

Classe di qualità

Codice IP

Massa a secco (peso)

Nome e indirizzo del rappresentante autorizzato e dell'importatore

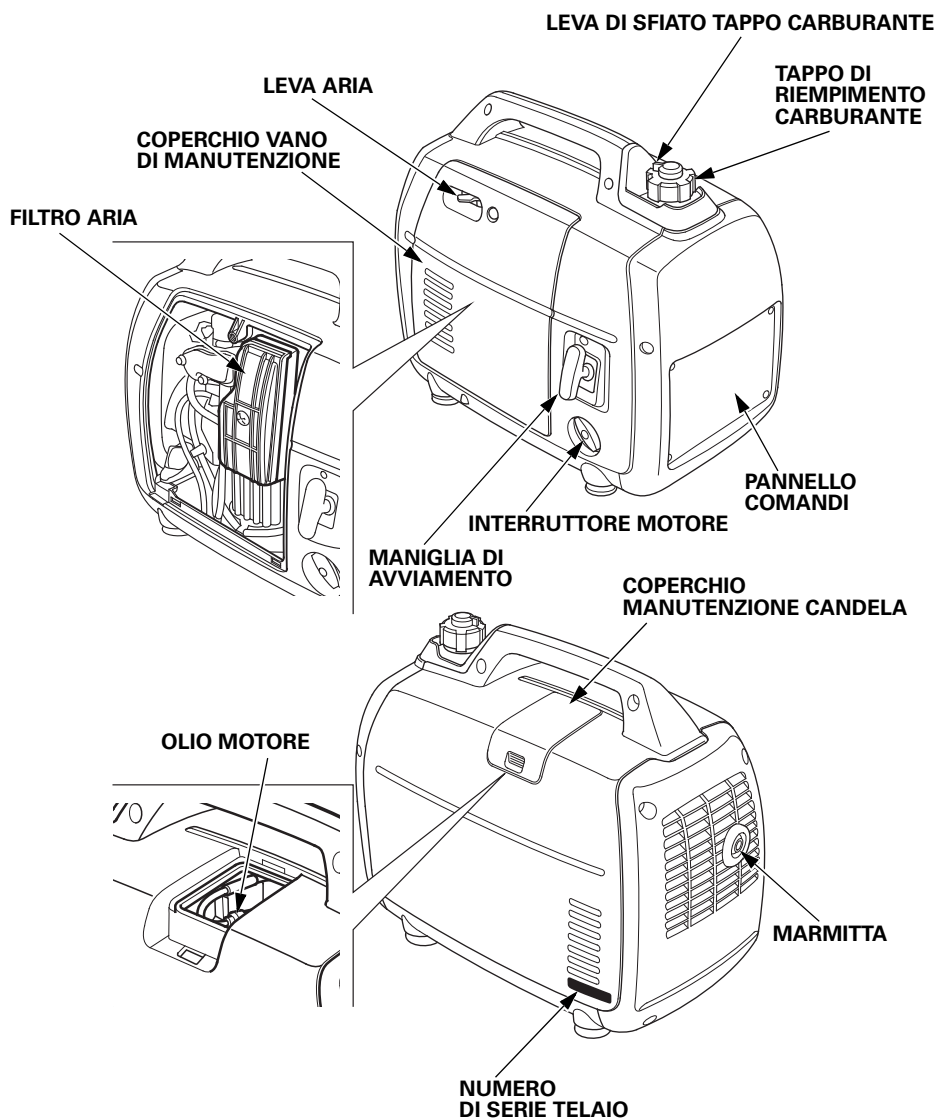
Produttore e indirizzo

Anno di produzione

EU22i			
Low-power generating set EN ISO 8528-13			
Maximum power	MAX 2.2 kW	50 Hz	G1
Rated power	COP 1.8 kW	230V	A
Rated power factor	1.0	7.8A	IP23M
Year of Mfg.		Mass	kg

Nome e indirizzo del produttore, del rappresentante autorizzato e dell'importatore sono indicati nella sezione DESCRIZIONE DEL CONTENUTO DELLA "Dichiarazione CE di conformità" inclusa nel presente Manuale d'uso e manutenzione.

3. IDENTIFICAZIONE COMPONENTI



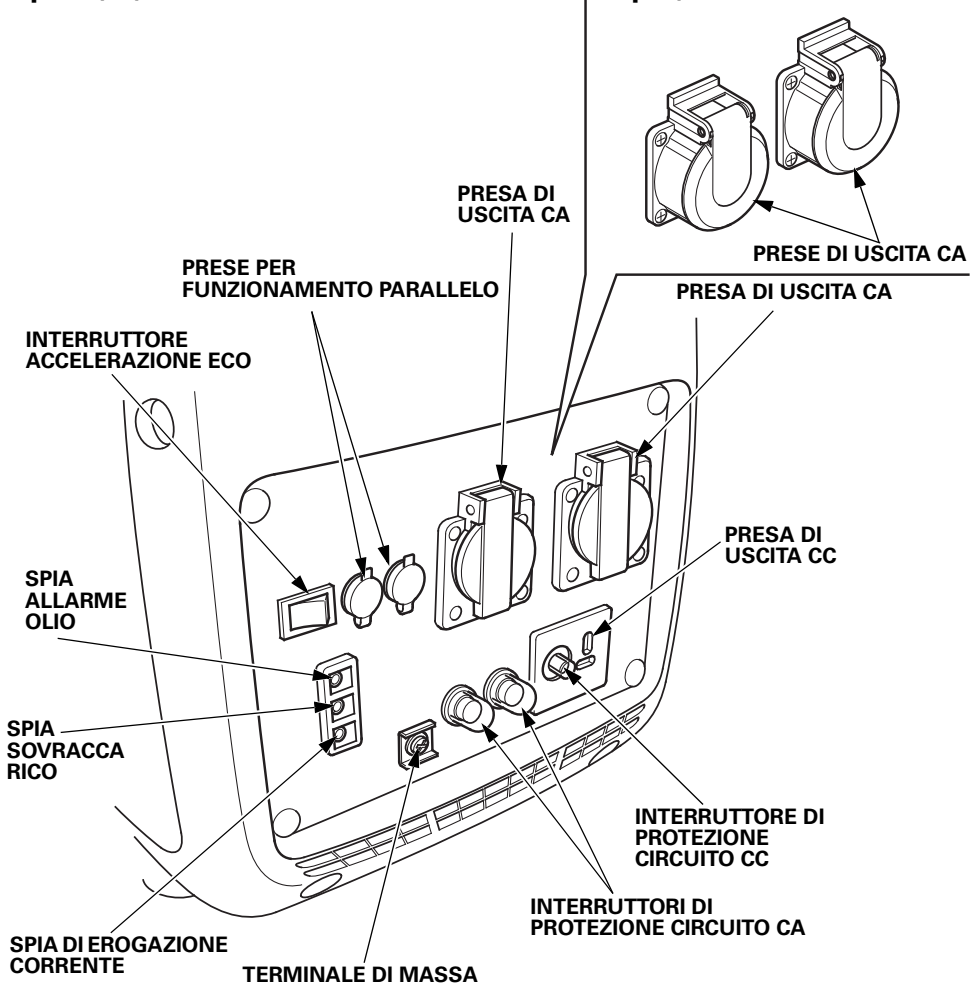
Annotare il numero di serie del telaio nello spazio sottostante. Tale numero sarà necessario per ordinare i ricambi.

Numero di serie del telaio: _____

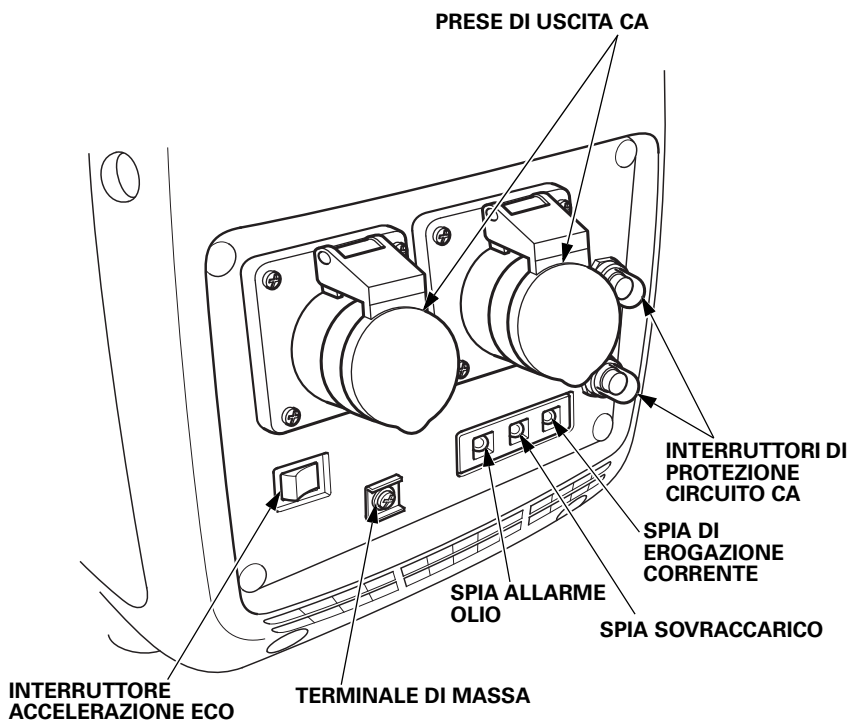
PANNELLO COMANDI

Tipi B1, E, W

Tipi F, G



Tipo B



Accelerazione Eco

MODALITÀ ECO:

Il regime del motore è tenuto automaticamente al minimo quando l'apparecchio non è collegato e ritorna a una potenza adeguata al carico elettrico quando l'apparecchio è collegato. Si consiglia l'uso di tale modalità per ridurre al minimo il consumo di carburante durante il funzionamento.

NOTA:

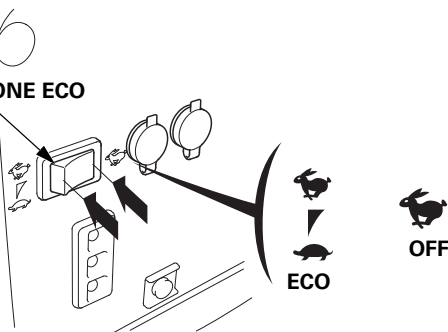
- La funzione di accelerazione Eco non funziona adeguatamente se l'apparecchio elettrico richiede temporaneamente un livello di potenza maggiore.
- Quando si collegano contemporaneamente apparecchi con carichi elettrici elevati, portare l'interruttore di accelerazione Eco in posizione OFF per ridurre le variazioni di tensione.
- Durante il funzionamento in modalità CC, portare l'interruttore di accelerazione Eco in posizione OFF.

OFF:

Il sistema di accelerazione Eco non è in funzione. Il regime motore viene mantenuto nell'intervallo (con interruttore di accelerazione Eco su OFF) indicato nella pagina delle "SPECIFICHE".

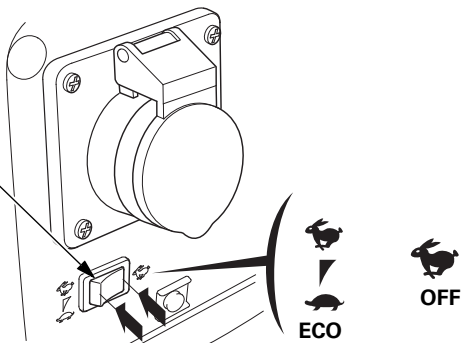
Tipi B1, E, F, G, W

INTERRUTTORE ACCELERAZIONE ECO



Tipo B

INTERRUTTORE ACCELERAZIONE ECO



4. CONTROLLI PRELIMINARI

AVVERTENZA:

Accertarsi di controllare il generatore collocandolo su una superficie piana, a motore spento.

Prima di ogni utilizzo, verificare se intorno o sotto al motore sono presenti segni di perdite di olio o benzina.

1. Controllare il livello dell'olio motore.

AVVERTENZA:

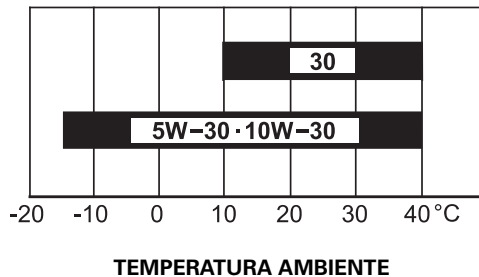
L'utilizzo di un olio non detergente o di un olio per motore a 2 tempi potrebbe ridurre la durata operativa del motore.

Olio raccomandato

Utilizzare olio per motori a 4 tempi che risponda almeno ai requisiti per la classificazione di servizio API SE o successiva (o equivalente). Controllare sempre l'etichetta di servizio API sul contenitore dell'olio per accertarsi che siano riportate le lettere SE o una classificazione successiva (o equivalente).

Specifiche olio lubrificante necessarie per mantenere inalterate le prestazioni del sistema di controllo emissioni: Olio originale Honda.

Prima dell'uso, leggere le istruzioni riportate sul contenitore dell'olio.

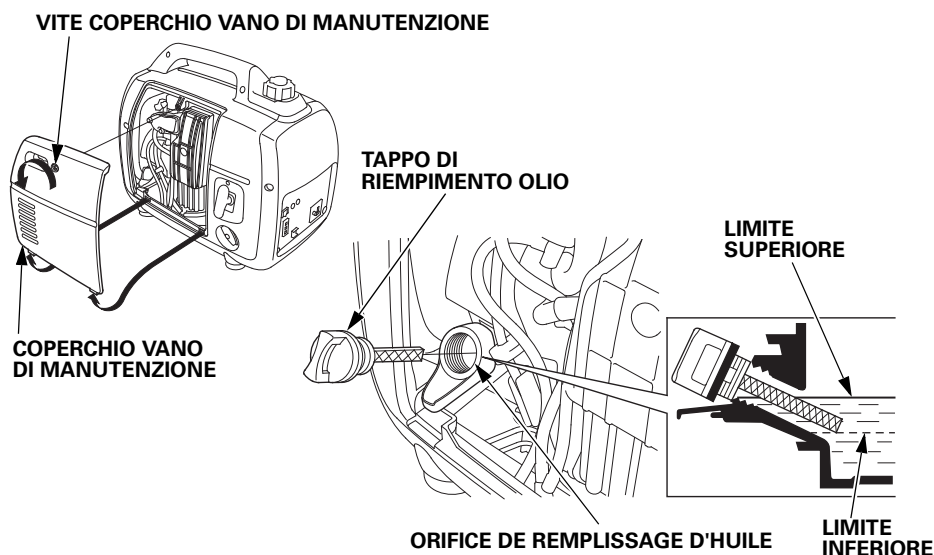


Per impieghi generici è raccomandato un lubrificante SAE 10W-30. Quando la temperatura media della propria zona è compresa nella fascia sotto indicata, è possibile utilizzare oli con viscosità diversa, come mostrato nella tabella.

1. Allentare la vite della coperchio del vano di manutenzione e rimuovere la copertura (vedere pagina 43).
2. Togliere il tappo di rifornimento dell'olio e pulire l'astina di livello.
3. Controllare il livello dell'olio inserendo l'astina di livello nel collo di rifornimento dell'olio senza avvitare.
4. Se il livello dell'olio è basso, riempire fino al limite superiore del collo di rifornimento dell'olio col tipo di olio consigliato (vedere pagina 15).
5. Serrare saldamente il tappo di riempimento olio.

AVVERTENZA:

Il funzionamento del motore con una quantità insufficiente di olio può danneggiare seriamente il motore.



NOTA:

Il sistema di allarme olio arresta automaticamente il motore prima che il livello dell'olio scenda al di sotto del limite di sicurezza. In ogni caso, onde evitare inconvenienti dovuti a un arresto improvviso, si consiglia di controllare regolarmente il livello dell'olio.

2. Controllare il livello del carburante.

Se il livello del carburante è basso, riempire il serbatoio carburante fino al livello prescritto. Dopo il rifornimento, serrare saldamente il tappo di riempimento carburante.

Utilizzare benzina per autotrazione senza piombo con un Numero di Ottani di ricerca pari a 91 o superiore (un Numero di Ottani alla pompa pari a 86 o superiore).

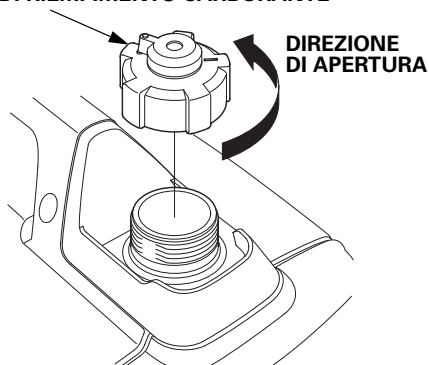
Specifiche carburante necessarie per mantenere inalterate le prestazioni del sistema di controllo emissioni: Carburante E10 indicato come riferimento nella normativa UE.

Non usare mai carburante vecchio, contaminato o una miscela olio/carburante. Evitare che polvere o acqua penetrino nel serbatoio del carburante.

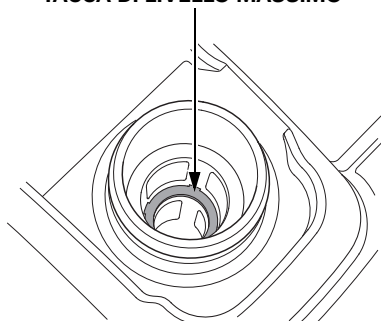
⚠ ATTENZIONE

- **La benzina è estremamente infiammabile e, in determinate condizioni, esplosiva.**
 - **Effettuare il rifornimento in un luogo ben ventilato e a motore spento. Non fumare e non avvicinare fiamme o scintille laddove viene effettuato il rifornimento o nell'area di stoccaggio della benzina.**
 - **Non riempire eccessivamente il serbatoio (non riempire oltre la tacca di livello superiore). Dopo il rifornimento, accertarsi che il tappo di riempimento carburante sia ben chiuso.**
 - **Prestare attenzione a non far fuoriuscire benzina durante il rifornimento. La benzina versata o i suoi vapori potrebbero incendiarsi. Qualora dovesse fuoriuscire della benzina, accertarsi che l'area sia asciutta prima di avviare il motore.**
 - **Evitare il contatto ripetuto o prolungato con la pelle ed evitare altresì di inalare i vapori.**
- TENERE FUORI DALLA PORTATA DEI BAMBINI.**

TAPPO DI RIEMPIMENTO CARBURANTE



TACCA DI LIVELLO MASSIMO



NOTA:

La benzina si deteriora molto rapidamente in presenza di fattori quali l'esposizione alla luce, la temperatura e il tempo.

Nei casi peggiori, la benzina può contaminarsi in 30 giorni.

L'uso di benzina contaminata può danneggiare seriamente il motore (carburatore ostruito, valvole bloccate).

Tali danni dovuti alla benzina contaminata non sono coperti da garanzia.

Per evitare ciò, seguire scrupolosamente le raccomandazioni seguenti:

- Utilizzare soltanto i tipi di benzina raccomandati (vedere pagina 17).
- Utilizzare benzina fresca e pulita.
- Per rallentare il deterioramento, conservare la benzina in un apposito contenitore per carburanti.
- Se si prevede un rimessaggio prolungato (più di 30 giorni), svuotare il serbatoio del carburante e il carburatore (vedere pagina 48).

Benzine contenenti alcol

Se si decide di utilizzare benzina contenente alcol (gasohol), accertarsi che il numero di ottani sia almeno equivalente a quello consigliato da Honda.

Esistono due tipi di "gasohol": uno contenente etanolo e l'altro contenente metanolo.

Non utilizzare gasohol contenente più del 10% di etanolo.

Non utilizzare benzina contenente più del 5% di metanolo (metile o alcol metilico) priva di cosolventi e anticorrosivi specifici per il metanolo.

NOTA:

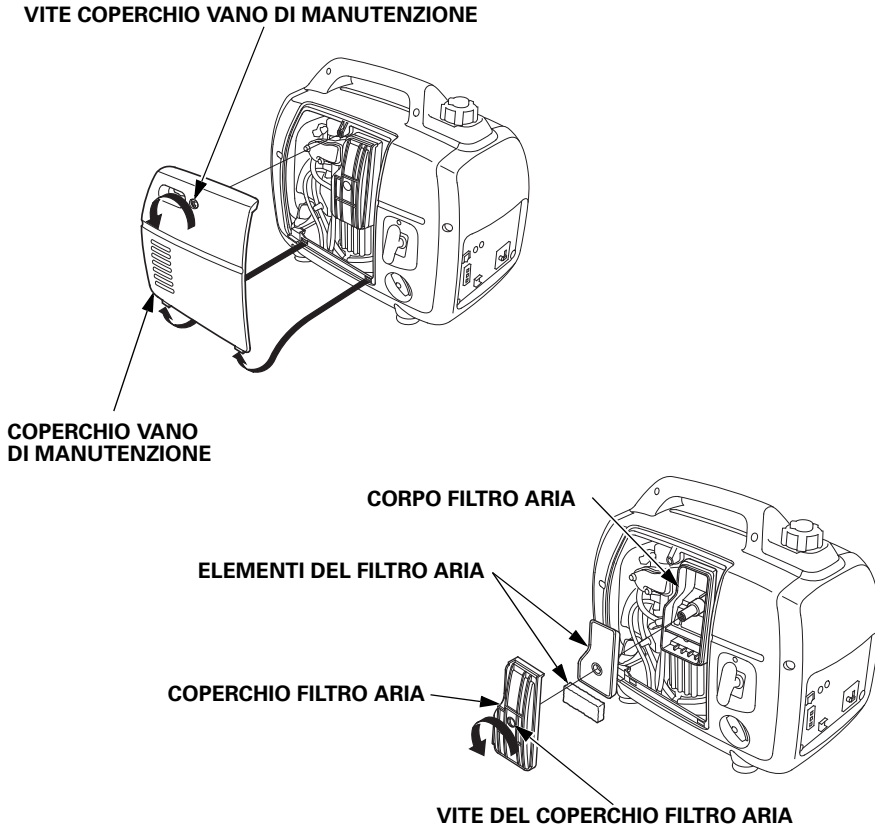
- Eventuali danni al sistema di alimentazione del carburante o alle prestazioni del motore, causati dall'uso di benzina contenente una quantità di alcol superiore a quella raccomandata, non saranno coperti dalla garanzia.
- Prima di acquistare benzina presso una stazione di rifornimento non conosciuta, determinare se la benzina contiene alcol; in caso affermativo, scoprire la percentuale e il tipo di alcol contenuto. Se si sta utilizzando un tipo particolare di benzina e si notano anomalie di funzionamento, passare a una benzina che contenga sicuramente una percentuale di alcol inferiore a quella consigliata.

3. Controllare il filtro aria.

Controllare che gli elementi del filtro aria siano puliti e in buono stato. Allentare la vite del coperchio del vano di manutenzione e rimuovere la copertura. Allentare la vite del coperchio del filtro aria e rimuovere il coperchio del vano filtro; quindi ispezionare gli elementi filtranti. Se necessario pulire o sostituire gli elementi (vedere pagina 44).

AVVERTENZA:

Non azionare mai il motore in assenza degli elementi del filtro dell'aria. Materiali contaminanti, come polvere o sporcizia, penetrerebbero nel motore attraverso il carburatore, causandone una rapida usura.



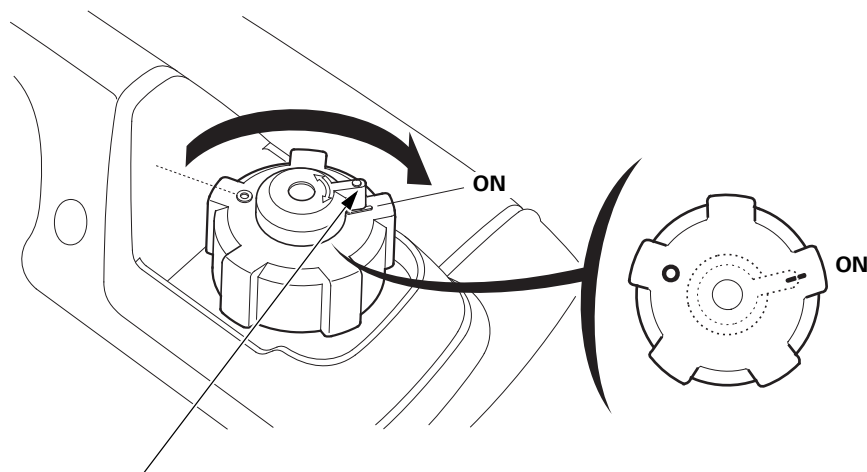
5. AVVIAMENTO DEL MOTORE

Prima di avviare il motore scollegare la presa CA da qualunque sorgente di alimentazione elettrica.

1. Ruotare completamente la leva di sfiato del tappo carburante in senso orario, verso la posizione ON.

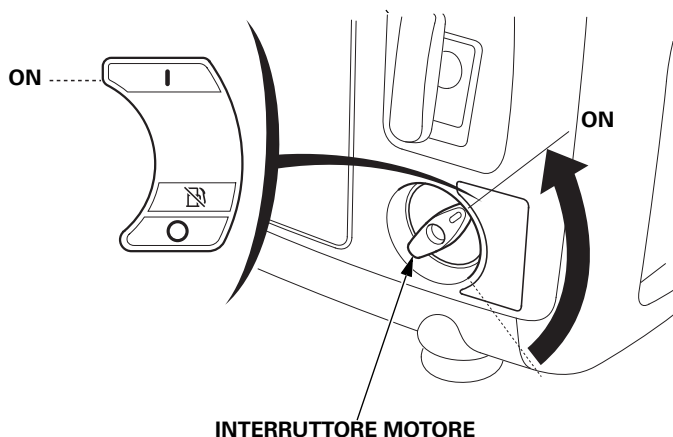
NOTA:

Durante il trasporto del generatore, ruotare la leva di sfiato del tappo carburante verso la posizione OFF.



LEVA DI SFIATO TAPPO CARBURANTE

2. Portare l'interruttore motore sulla posizione ON.

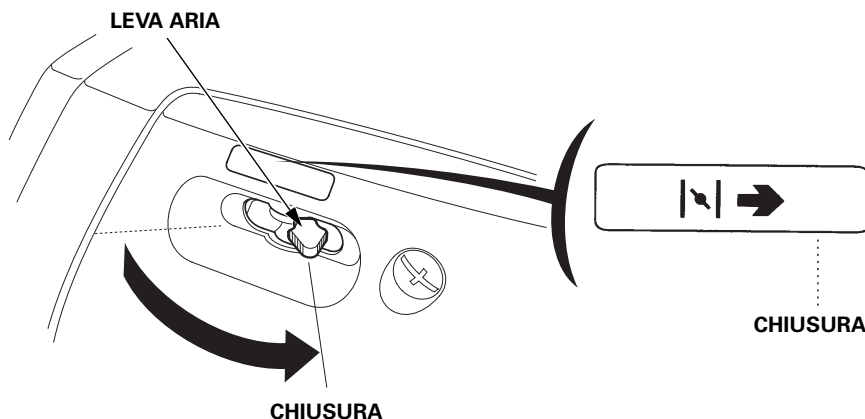


INTERRUTTORE MOTORE

3. Spostare la leva dell'aria in posizione CHIUSURA.

NOTA:

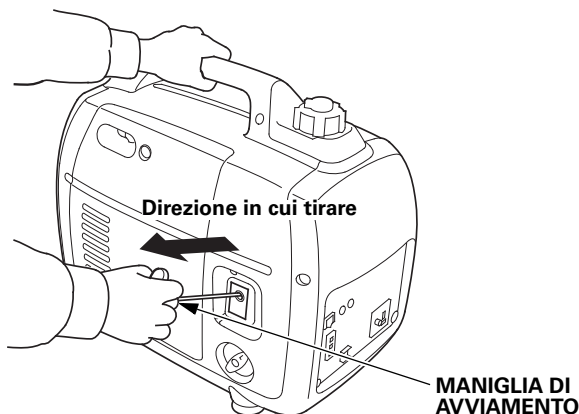
Non utilizzare la leva dell'aria se il motore è caldo o quando la temperatura dell'aria è elevata.



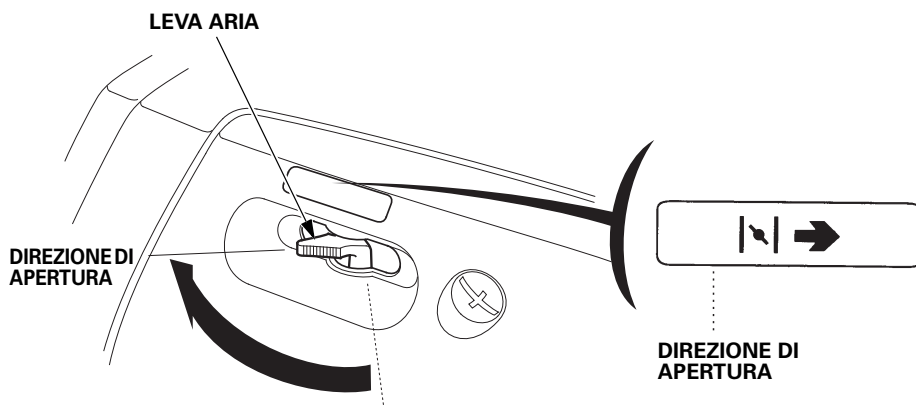
4. Tirare leggermente l'impugnatura di avviamento fino ad avvertire una certa resistenza, quindi tirarla di scatto nella direzione indicata dalla freccia, in figura sotto.

AVVERTENZA:

- La maniglia di avviamento potrebbe riavvolgersi molto rapidamente prima di essere rilasciata. Il contraccolpo potrebbe causare il trascinarsi della verso il motore, causando lesioni.
- Evitare i contraccolpi dell'impugnatura del cavo di avviamento. Accompagnare l'impugnatura lentamente.



5. Portare la leva dell'aria in posizione APERTA mentre il motore si riscalda.



NOTA:

Se il motore si spegne e non si riavvia, controllare il livello dell'olio motore (vedere pagina 16) prima di eseguire la ricerca guasti in altre aree.

- **Modifica del carburatore per il funzionamento ad altitudini elevate**

Ad altitudini elevate, la miscela standard aria-carburante risulta eccessivamente grassa. Le prestazioni diminuiscono e il consumo di carburante aumenta. Inoltre, una miscela troppo grassa imbratta le candele e causa difficoltà di avviamento. L'uso prolungato a un'altitudine diversa da quella prescritta per questo motore può aumentare le emissioni di scarico.

Il rendimento ad altitudini elevate può essere migliorato grazie ad alcune modifiche specifiche del carburatore. Se il generatore viene sempre utilizzato ad altitudini superiori a 1.500 metri, rivolgersi a un concessionario autorizzato Honda per la modifica del carburatore. Il motore, se usato ad altitudini elevate, con il carburatore appositamente modificato, sarà conforme a tutti gli standard sulle emissioni per tutta la durata utile.

Anche con le modifiche al carburatore, la potenza del motore diminuirà di circa il 3,5% per ogni 300 metri di aumento dell'altitudine. L'effetto dell'altitudine sulla potenza sarà maggiore in assenza di modifiche al carburatore.

AVVERTENZA:

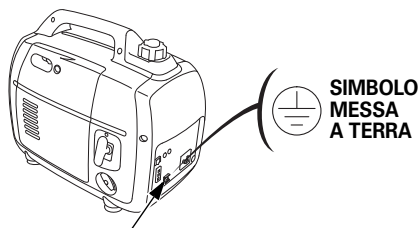
Il funzionamento del generatore a un'altitudine inferiore rispetto a quella per la quale il carburatore è stato predisposto, può ridurre le prestazioni, causarne il surriscaldamento o provocare seri danni al motore dovuti a una miscela di aria/carburante troppo magra.

6. USO DEL GENERATORE

Il generatore produce una quantità di energia elettrica sufficiente a provocare scosse elettriche di notevole intensità o elettrocuzione in caso di uso improprio.

Accertarsi di collegare a terra il generatore quando l'apparecchio alimentato è collegato a terra.

Per collegare a terra il terminale del generatore, utilizzare un filo di rame con un diametro uguale o superiore a quello del cavo di alimentazione dell'apparecchio collegato.



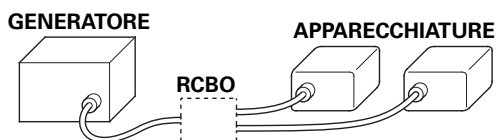
TERMINALE DI MASSA

Se l'apparecchio collegato è dotato di conduttore per la messa a terra, anche un'eventuale prolunga dovrà essere dotata di conduttore per la messa a terra.

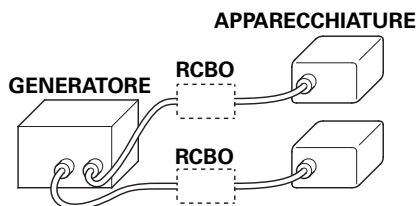
Per identificare il terminale di terra nella spina, consultare la sezione PRESA a pagina 57.

Se si utilizzano due o più apparecchi, collegare un interruttore RCBO (interruttore differenziale con protezione da sovracorrente) da 30 mA con rilevamento guasti verso terra e interruzione inferiore a 0,4 secondi a più di 30 A di corrente di uscita.

Prima dell'uso, leggere le istruzioni fornite con l'interruttore RCBO.



Collegamento con un RCBO



Collegamento con due RCBO

⚠ ATTENZIONE

Collegamenti non corretti all'impianto elettrico di un edificio possono causare un ritorno di corrente dal generatore verso le linee della rete elettrica.

Tale corrente di ritorno potrebbe causare la folgorazione del personale dell'azienda elettrica o di coloro che entrano in contatto con le linee durante un'interruzione dell'alimentazione; inoltre, al momento del ripristino dell'alimentazione di rete, il generatore potrebbe esplodere, infiammarsi o provocare incendi.

Consultare l'azienda elettrica o un elettricista qualificato prima di eseguire qualsiasi collegamento elettrico.

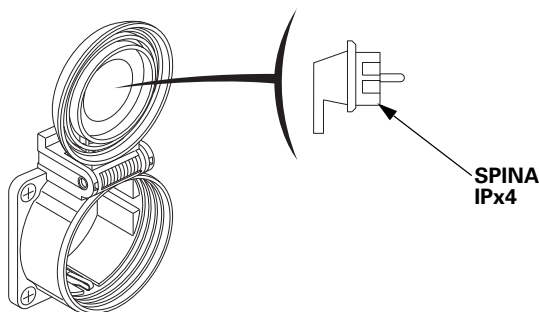
AVVERTENZA:

- Non superare il limite di corrente specificato per ciascuna presa.
- Non modificare o utilizzare il generatore per impieghi differenti da quelli previsti. Durante l'utilizzo del generatore, attenersi a quanto segue.
- Non collegare una prolunga al condotto di scarico.
- Se è necessario un cavo di prolunga, utilizzare esclusivamente un cavo flessibile rivestito in gomma resistente (conforme allo standard IEC 245 o equivalente).
Quando si utilizza una prolunga il valore della resistenza non deve superare 1,5 Ω .
- Limite di lunghezza per i cavi di prolunga: 60 m per i cavi da 1,5 mm² e 100 m per i cavi da 2,5 mm². Tanto maggiore è la lunghezza dei cavi, quanto minore sarà la potenza utilizzabile a causa della resistenza del cavo.
- Tenere il generatore lontano da altri cavi o fili elettrici, come quelli di normale alimentazione elettrica.

⚠ ATTENZIONE

Tipo G

Quando si connette una spina ad angolo, assicurarsi di utilizzare solo spine di tipo IPx4.



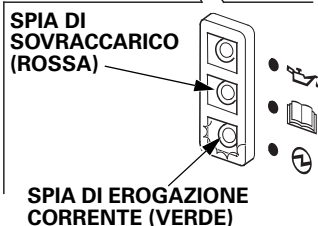
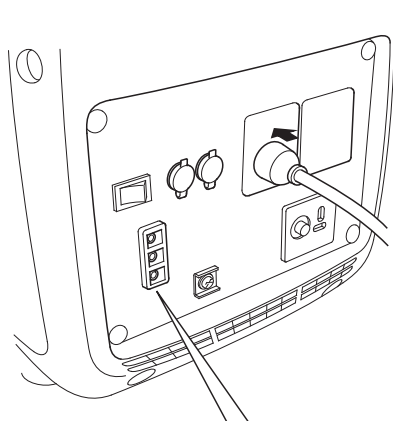
NOTA:

- Molti apparecchi elettrici richiedono un wattaggio superiore al loro wattaggio nominale per avviarsi. Verificare che la potenza nominale dell'utensile o dell'apparecchio non superi quella del generatore.
Potenza massima: 2,2 kVA
- Per il funzionamento continuo non superare la potenza nominale indicata.
La potenza nominale è: 1,8 kVA
- In entrambi i casi, si deve considerare la potenza totale (VA) richiesta da tutti gli apparecchi collegati.
- Un sovraccarico considerevole potrebbe determinare lo spegnimento del sistema di protezione del circuito CA. Un leggero sovraccarico di potenza del generatore potrebbe non determinare lo spegnimento dell'interruttore di protezione del circuito, ma può tuttavia ridurre la durata del generatore (Tranne tipo B).
- La presa CC può essere usata anche quando è in uso l'alimentazione CA.
Se le due prese vengono utilizzate contemporaneamente, non superare la potenza massima della corrente CA.
Potenza massima CA: 1,7 kVA

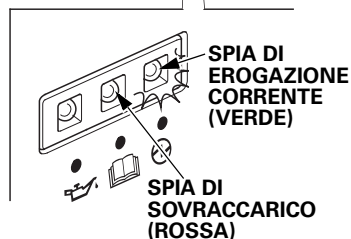
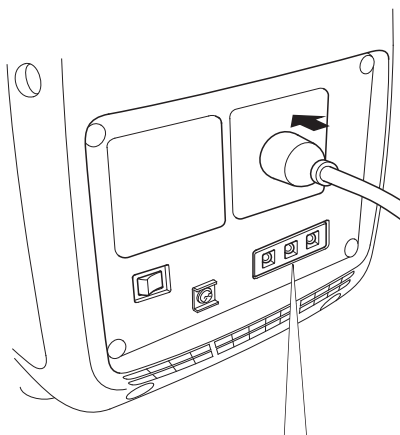
Applicazioni CA

1. Avviare il motore e accertarsi che la spia di erogazione corrente (verde) sia accesa.
2. Verificare che l'apparecchio da utilizzare sia spento, quindi collegarlo alla presa.

Tipi B1, E, F, G, W



Tipo B



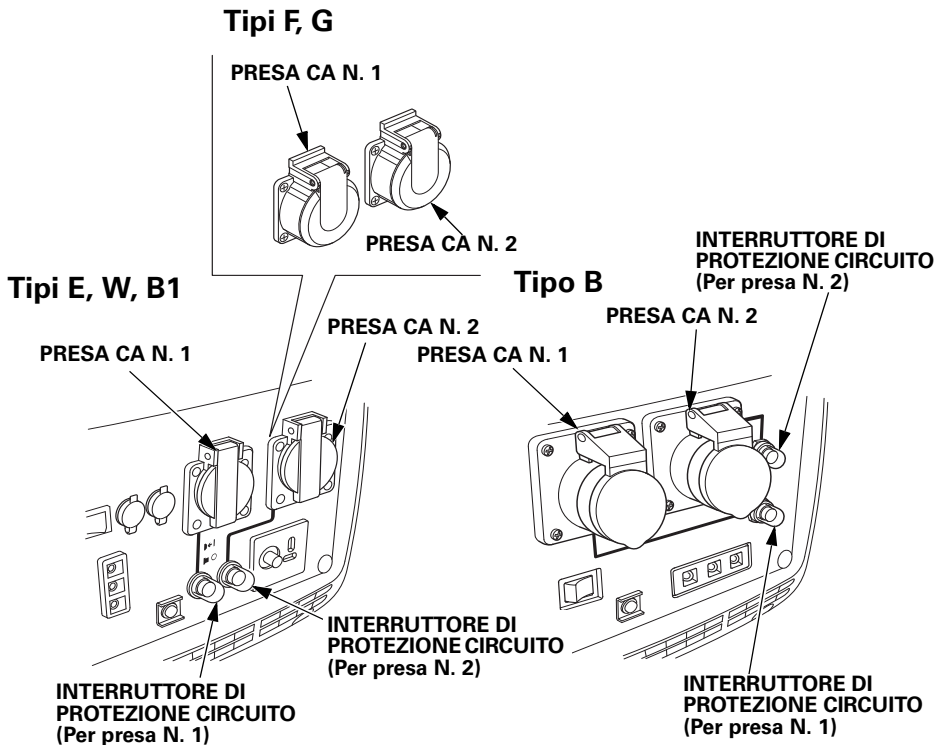
AVVERTENZA:

- Un sovraccarico considerevole, indicato dall'accensione continua della relativa spia (rossa), può danneggiare il generatore. Un sovraccarico limitato, indicato da un'accensione temporanea della relativa spia (rossa), può ridurre la durata del generatore.
- Verificare che tutte le apparecchiature elettriche siano in buone condizioni di funzionamento prima di collegarle al generatore. Gli attrezzi elettrici (compresi fili e collegamenti delle prese) non devono presentare difetti. Se un apparecchio comincia a funzionare in maniera anomala, rallenta o si ferma improvvisamente, spegnere immediatamente l'interruttore del generatore. Quindi scollegare l'apparecchio e verificare l'eventuale presenza di un guasto.

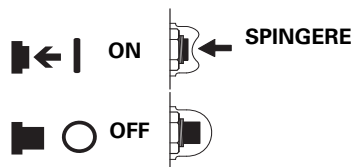
Interruttore di protezione del circuito CA

L'interruttore di protezione del circuito CA si spegnerà automaticamente (il pulsante fuoriesce) in presenza di un cortocircuito o di un sovraccarico importante del generatore sulla presa.

In caso di spegnimento automatico dell'interruttore di protezione del circuito CA, verificare che l'apparecchio stia funzionando normalmente e che non superi la capacità di carico nominale del circuito prima di riaccendere la protezione del circuito CA (premendo all'interno il pulsante).



(se premuto)



Spia di erogazione corrente e di sovraccarico

La spia di erogazione corrente (verde) rimane accesa nelle normali condizioni di funzionamento.

Inoltre, la spia di erogazione corrente ha una funzione contatore semplificata. Quando si avvia il motore, la spia indica le ore di utilizzo totali mediante le seguenti sequenze di lampeggi:

- Nessun lampeggio: 0–100 ore
- 1 lampeggio: 100–200 ore
- 2 lampeggi: 200–300 ore
- 3 lampeggi: 300–400 ore
- 4 lampeggi: 400–500 ore
- 5 lampeggi: 500 o più ore

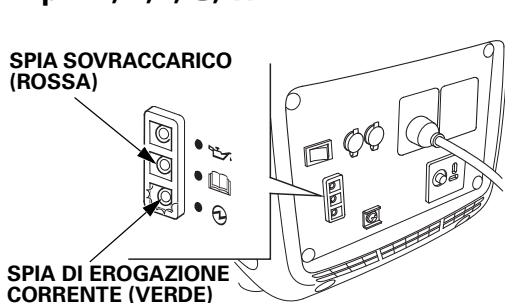
Se il generatore è sovraccarico (vedere pagina 26), o se è presente un cortocircuito nell'apparecchio collegato, la spia erogazione corrente (verde) si spegne, la spia di sovraccarico (rossa) si accende e l'erogazione della corrente all'apparecchio collegato si interrompe.

In caso di accensione della spia di sovraccarico (rossa), arrestare il motore e verificare l'origine del sovraccarico.

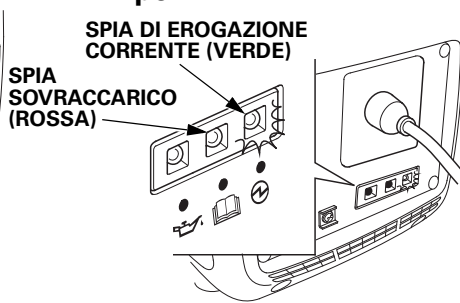
- Prima di collegare un apparecchio al generatore, controllare che sia in buone condizioni e che la sua potenza nominale non sia superiore a quella del generatore. Collegare quindi il cavo di alimentazione dell'apparecchio e avviare il motore.

Se l'indicatore di sovraccarico lampeggia costantemente, indica una condizione anomala dell'invertitore (vedere pagina 51).

Tipi B1, E, F, G, W



Tipo B



NOTA:

Quando si avvia un motore elettrico, la spia di sovraccarico (rossa) e spia di erogazione corrente (verde) possono accendersi simultaneamente. Ciò rientra nella normalità se dopo circa quattro (4) secondi la spia di sovraccarico (rossa) si spegne. Nel caso in cui la spia di sovraccarico (rossa) rimanga accesa, rivolgersi ad un concessionario Honda.

Funzionamento in modalità parallela (Tranne tipo B)

Si prega di leggere la sezione "USO DEL GENERATORE" prima di collegare qualsiasi apparecchio.

Utilizzare esclusivamente un'apposita scatola presa per il funzionamento parallelo Honda (opzionale) quando si collegano due generatori EU22i per il funzionamento in parallelo.

Molti apparecchi elettrici richiedono un wattaggio superiore al loro wattaggio nominale per avviarsi. Verificare che la potenza nominale dell'utensile o dell'apparecchio non superi quella del generatore.

La potenza massima in modalità di funzionamento parallelo è:

EU22i ed EU22i	4,4 kVA
EU22i ed EU20i	4,2 kVA

Per il funzionamento continuo non superare la potenza nominale indicata.

La potenza nominale in modalità parallela è:

EU22i ed EU22i	3,6 kVA
EU22i ed EU20i	3,4 kVA

In entrambi i casi, si deve considerare la potenza totale (VA) richiesta da tutti gli apparecchi collegati.

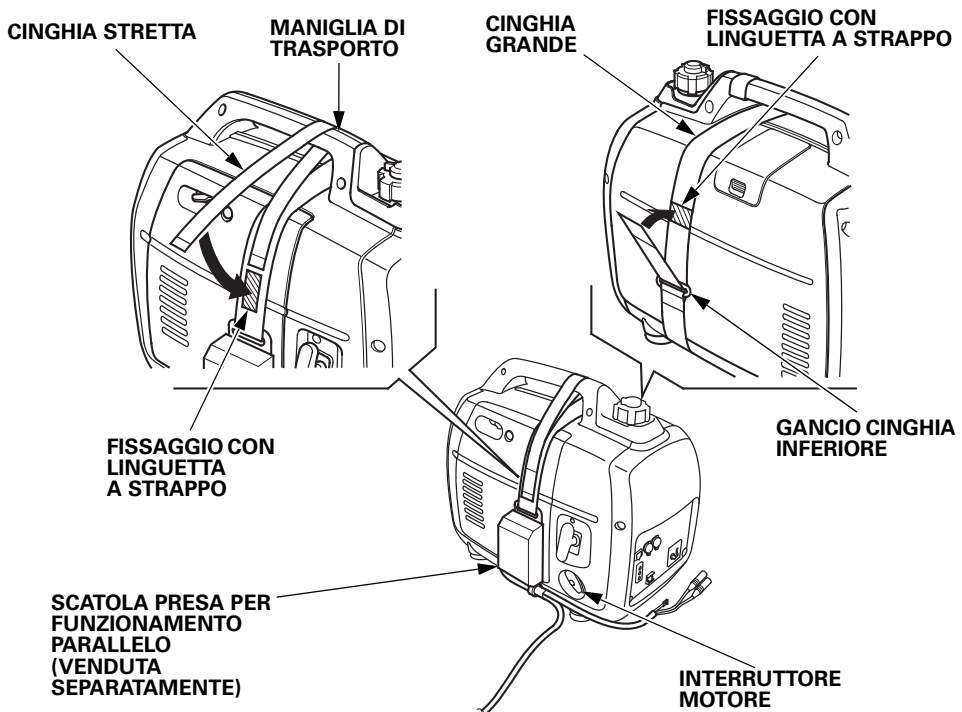
AVVERTENZA:

Un sovraccarico considerevole, indicato dall'accensione continua della relativa spia (rossa), può danneggiare il generatore. Un sovraccarico limitato, indicato da un'accensione temporanea della relativa spia (rossa), può ridurre la durata del generatore.

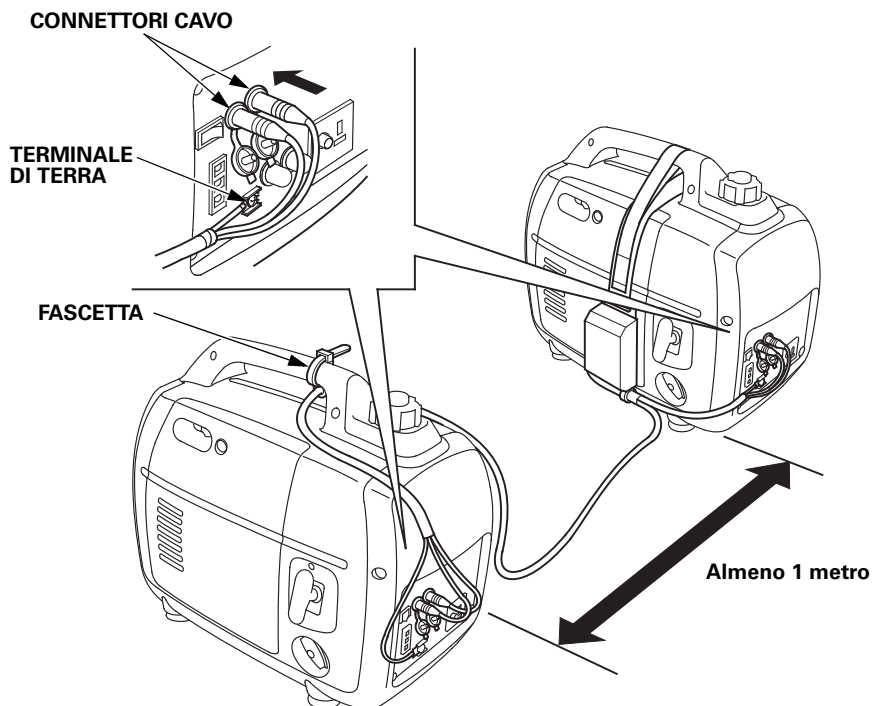
⚠ ATTENZIONE

- **Non collegare modelli di generatore diversi da quelli specificati (vedere pagina 4).**
- **Non collegare mai cavi che non siano specifici per la scatola presa per funzionamento parallelo.**
- **Collegare e rimuovere la scatola della presa per il funzionamento parallelo a motore spento.**
- **Per il funzionamento in modalità singola, è necessario rimuovere la scatola presa utilizzata per il funzionamento in modalità parallela.**

1. Installare la scatola presa per il funzionamento parallelo ad un generatore e fissarla con la fascetta come mostrato in figura.
- Posizionare la cinghia sul lato anteriore del manico.
 - Fissare la cinghia piccola al manico con il fermo.
 - Fare passare la cinghia grande superiore attraverso il gancio della cinghia inferiore e fissarla con il fermo.
 - Far passare i cavi della scatola presa sotto l'interruttore del motore.
 - Installare le cinghie e verificare che non siano allentate.

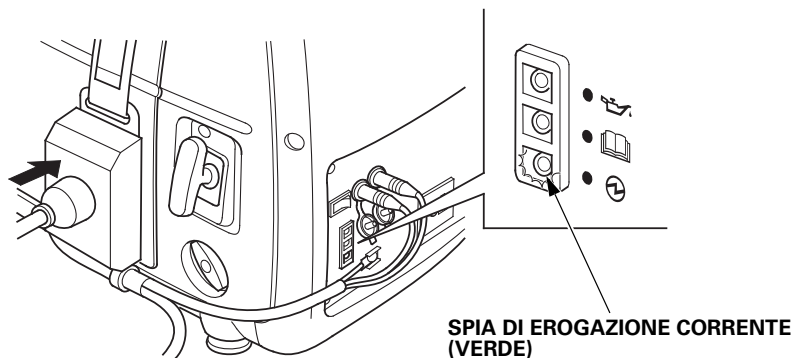


2. Collegare i connettori dei cavi e i terminali di terra della scatola presa per il funzionamento parallelo ai generatori e fissare la fascetta serracavo al manico.
- Durante il funzionamento parallelo, tenere i due generatori ad almeno 1 metro di distanza.
 - Fare passare il cavo attraverso la maniglia e fissarlo ad esso con la fascetta.
 - Prestare attenzione a non allentare il cavo in corrispondenza dell'impugnatura di avviamento.
 - Collegare il cavo più lungo al generatore sul quale non è installata la scatola presa per il funzionamento parallelo.
 - Non posizionare i generatori con i rispettivi lati di scarico uno di fronte all'altro.



3. Collegare il terminale di terra di un generatore al collegamento di terra.
- Quando un apparecchio è collegato a terra, collegare anche il generatore a terra.

4. Avviare i motori e accertarsi che la spia di erogazione corrente (verde) sia accesa.
5. Verificare che l'apparecchio da utilizzare sia spento, quindi collegarlo alla presa.
6. Accendere l'apparecchio da utilizzare.



Funzionamento parallelo con EU20i

Per istruzioni sul collegamento del cavo di funzionamento parallelo vedere le pagine da 30 a 33.

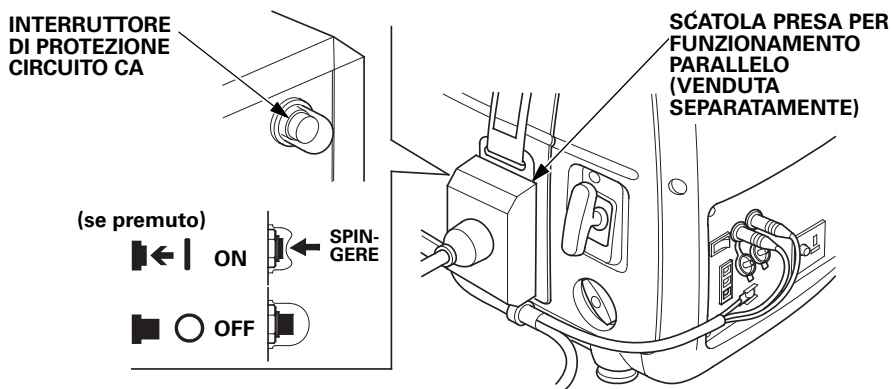
Un generatore EU22i può essere collegato soltanto a un generatore EU20i con numeri di serie del telaio specifici. Fare riferimento alla seguente tabella per confermare che il generatore EU20i di cui si è in possesso sia compatibile con EU22i.

Modello	Intervallo numero di serie del telaio
EU20i	EAAJ-2032188 e successivo
	EACT-1000001 e successivo

Interruttore di protezione del circuito CA (eccetto tipo B)

In presenza di un cortocircuito o di un sovraccarico importante del generatore sulla presa, l'interruttore di protezione del circuito CA sulla scatola presa per il funzionamento parallelo si spegnerà automaticamente (il pulsante fuoriesce).

Se un interruttore di protezione del circuito CA si spegne automaticamente, controllare che l'apparecchio funzioni correttamente e che non superi la capacità di carico nominale del circuito (16 A) prima di riposizionare l'interruttore di protezione del circuito CA su ON tramite la pressione dell'interruttore.



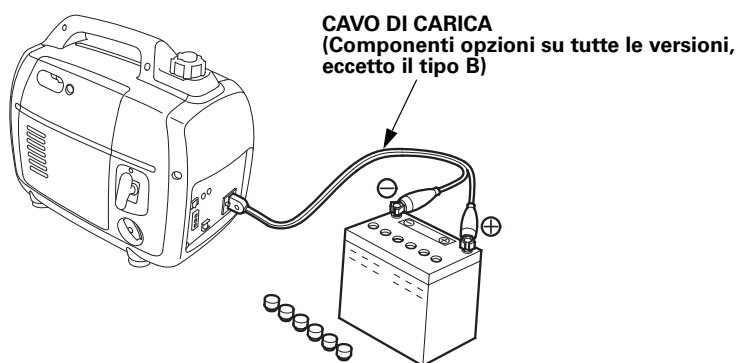
Applicazione CC (Tranne tipo B)

La presa CC può essere usata esclusivamente per caricare batterie a 12 volt per impiego su veicoli.

NOTA:

Durante il funzionamento in modalità CC, portare l'interruttore di accelerazione Eco in posizione OFF.

1. Collegare il cavo di carica alla presa CC del generatore, quindi ai terminali della batteria.



⚠ ATTENZIONE

- Per evitare che si creino eventuali scintille vicino alla batteria, collegare il cavo di carica prima al generatore, quindi alla batteria. Scollegare il cavo iniziando dalla batteria.
- Prima di collegare i cavi di carica ad una batteria installata su un veicolo, scollegare il cavo della batteria del veicolo. Ricollegare il cavo della batteria del veicolo solo dopo aver rimosso i cavi di carica. Tale procedura consente di evitare scintille o cortocircuiti in caso di contatto accidentale tra il terminale della batteria e il telaio o la carrozzeria del veicolo.

AVVERTENZA:

- Non tentare di avviare il motore di un'automobile con il generatore ancora collegato alla batteria. Il generatore potrebbe danneggiarsi.
- Collegare il terminale positivo della batteria al cavo positivo di carica. Non invertire i cavi di carica. Il generatore e/o la batteria potrebbero danneggiarsi gravemente.

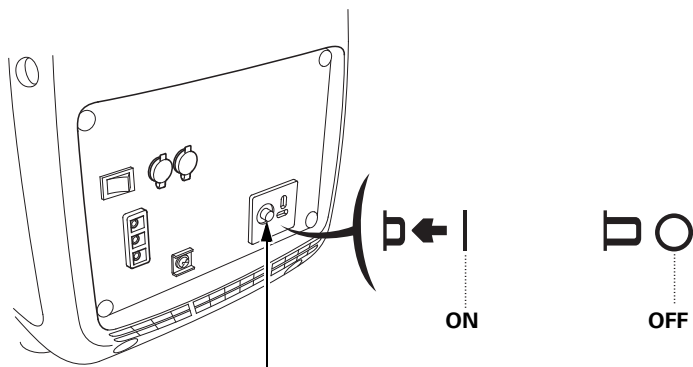
▲ ATTENZIONE

- Le batterie generano gas esplosivi: se incendiata, l'esplosione può causare gravi lesioni o cecità. Durante la carica provvedere ad un'adeguata ventilazione.
- **PERICOLI CHIMICI:** L'elettrolito della batteria contiene acido solforico. Il contatto con la pelle o gli occhi, anche se attraverso gli indumenti, può causare gravi ustioni. Indossare indumenti e maschere protettive.
- Tenere lontane fiamme e scintille e non fumare in prossimità dell'area.
MISURE DI EMERGENZA: Se l'elettrolito viene a contatto con gli occhi, lavarli abbondantemente con acqua tiepida per almeno 15 minuti e contattare immediatamente un medico.
- **VELENO:** L'elettrolito è velenoso.
MISURE DI EMERGENZA
 - Contatto esterno: Lavare abbondantemente con acqua.
 - Contatto interno: Se ingerito, bere grandi quantità di acqua o latte, seguite da abbondanti dosi di latte di magnesia o olio vegetale e contattare immediatamente un medico.
- **TENERE FUORI DALLA PORTATA DEI BAMBINI.**

2. Avviare il motore.

NOTA:

- La presa CC può essere usata anche quando è in uso l'alimentazione CA.
- Un sovraccarico nel circuito CC farà scattare l'interruttore di protezione del circuito CC (il pulsante scatta verso l'esterno). In tal caso, attendere qualche minuto prima di premere nuovamente l'interruttore di protezione del circuito per ripristinare il funzionamento.



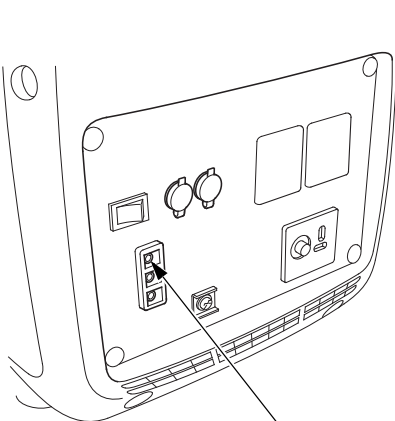
INTERRUTTORE DI PROTEZIONE CIRCUITO CC

Sistema di allarme olio

Il sistema di allarme olio è progettato per evitare che il motore subisca dei danni dovuti ad un'insufficiente quantità di olio nel carter. Prima che il livello dell'olio presente nel carter scenda al di sotto del limite consentito, il sistema di allarme olio arresta automaticamente il motore (l'interruttore del motore rimane in posizione ON).

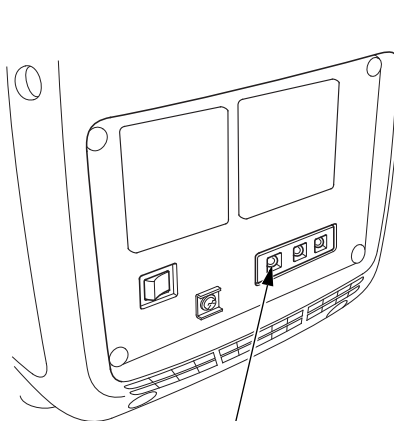
Se il motore viene arrestato dal sistema di allarme olio, la spia di allarme olio (rossa) si accende nel momento in cui si aziona l'avviatore e il motore non parte. In tal caso, controllare il livello dell'olio motore (vedere pagina 16).

Tipi B1, E, F, G, W



SPIA ALLARME OLIO (ROSSA)

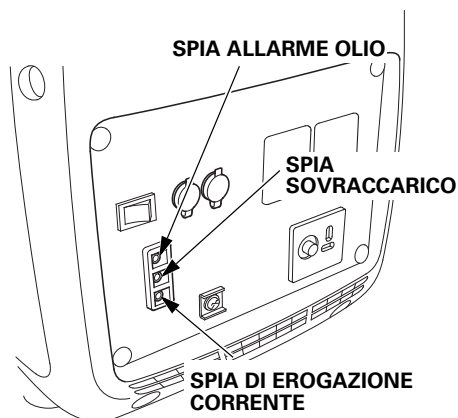
Tipo B



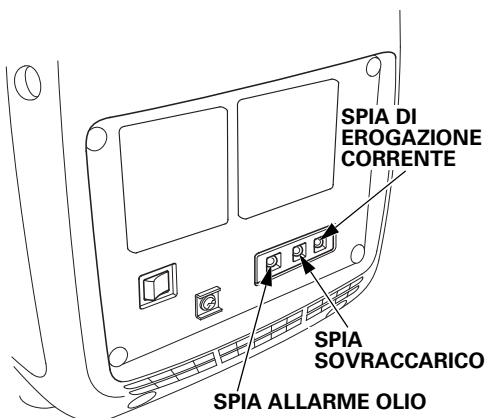
SPIA ALLARME OLIO (ROSSA)

Fasci di luce LED

Tipi B1, E, F, G, W



Tipo B



Stato	Possibile causa	Spia di erogazione corrente	Spia sovraccarico	Spia allarme olio
Normale	In funzionamento normale	○	●	●
Problema di funzionamento	Guasto invertitore	●	☼	●
Anomalo	Sovracorrente in uscita	●	○	●
	Surriscaldamento invertitore	●	○	●
Avviso	Livello olio motore basso	●	●	○

○ : ON

● : OFF

☼ : Lampeggiante

Vedere RISOLUZIONE DI PROBLEMI a pagina 51 per la diagnosi dei guasti.

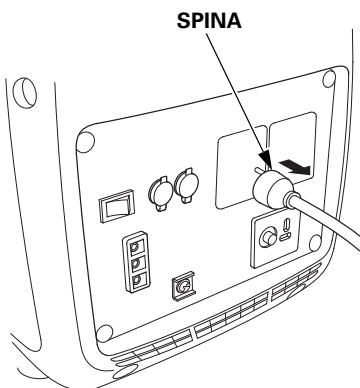
7. ARRESTO DEL MOTORE

Per arrestare il motore in caso di emergenza, spostare l'interruttore del motore in modo sicuro nella posizione OFF (spento).

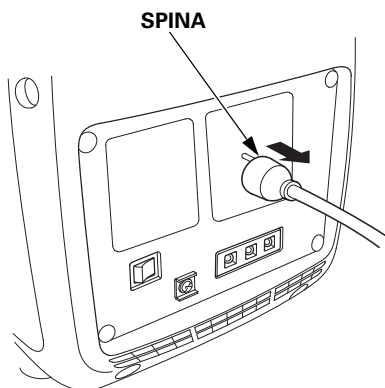
DURANTE IL NORMALE UTILIZZO:

1. Spegnere l'apparecchio collegato e disinserire la spina.

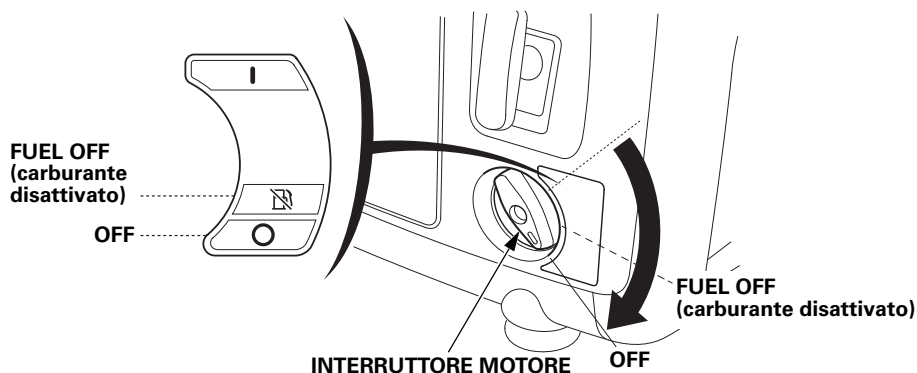
Tipi B1, E, F, G, W



Tipo B



2. Sposta l'interruttore del motore in modo sicuro nella posizione OFF (spento).

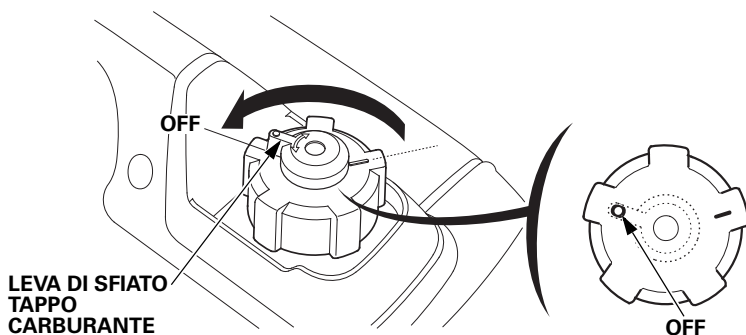


NOTA:

Se il generatore è portato nella posizione FUEL OFF prima di spegnere l'interruttore del motore si riduce il consumo di combustibile nel carburatore.

- Quando si usa la posizione FUEL OFF, il generatore continuerà a funzionare per vari minuti finché il combustibile presente nel carburatore non è stato consumato, quindi si arresterà.
- Sposta l'interruttore del motore nella posizione OFF dopo che il motore si è arrestato.
- Dopo aver arrestato il motore usando la posizione FUEL OFF, per riavviare il motore sarà necessario agire sul motorino di avviamento.

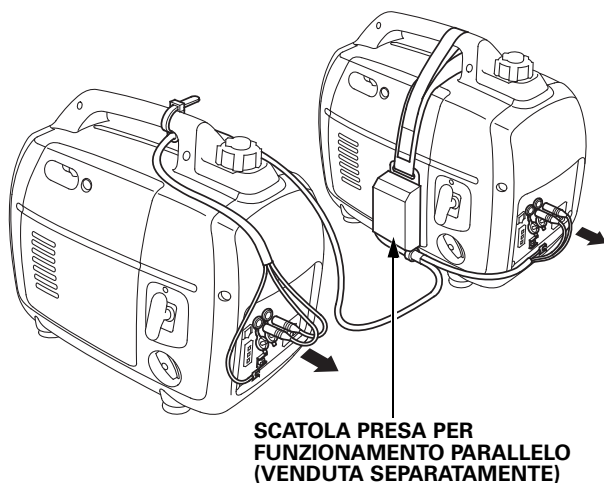
3. Ruotare la leva di sfiato del tappo carburante in senso antiorario, verso la posizione OFF.



AVVERTENZA:

Accertarsi che la leva di sfiato del tappo carburante e l'interruttore del motore siano in posizione OFF quando si arresta, si trasporta e/o si immagazzina il generatore.

-
4. In caso di connessione di due generatori in parallelo, scollegare il cavo per il funzionamento in parallelo dopo aver arrestato i motori (Tranne tipo B).



NOTA:

Se il generatore non verrà usato per un periodo prolungato di tempo, fare riferimento a pagina 48 per maggiori informazioni per lo *Prima di immagazzinare l'apparecchio per un periodo prolungato.*

8. MANUTENZIONE

Manutenzioni e regolazioni periodiche sono determinanti per garantire il funzionamento ottimale del generatore. Procedere ai controlli e alla manutenzione programmata in accordo con la tabella indicata di seguito.

ATTENZIONE

Controllare che il motore sia spento prima di iniziare qualsiasi tipo di intervento di manutenzione o di riparazione. Ciò ridurrà la possibilità di trovarsi in situazioni di pericolo, quali:

- **Avvelenamento da monossido di carbonio generato dai gas di scarico del motore. Garantire un'adeguata ventilazione nel caso in cui il motore debba rimanere acceso.**
- **Ustioni da contatto con parti calde. Lasciar raffreddare il motore e il sistema di scarico prima di toccarli.**
- **Lesioni causate da parti in movimento. Mettere in moto il motore solo se espressamente indicato.**

Durante il funzionamento, il silenziatore raggiunge temperature elevate e resta caldo per diverso tempo dopo lo spegnimento del motore. Evitare di toccare il silenziatore fintanto che è caldo. Lasciar raffreddare il motore prima di procedere alla manutenzione.

AVVERTENZA:

Utilizzare ricambi originali Honda o componenti di qualità equivalente. L'uso di ricambi di qualità non equivalente potrebbe danneggiare il generatore.

Programma di manutenzione

INTERVALLI DI MANUTENZIONE ORDINARIA (1) Da eseguire nei mesi indicati o alla scadenza delle ore di utilizzo, a seconda di quale evento si verifichi per primo.		Ogni utilizzo	Primo mese o dopo 20 ore	Ogni 3 mesi o dopo 50 ore	Ogni 6 mesi o dopo 100 ore	Ogni anno o dopo 200 ore	pagina
VOCE							
Olio motore	Controllare il livello	o					15
	Sostituire		o		o		43
Filtro aria	Controllare	o					19
	Pulire			o (2)			44
Candela	Controllare-regolare				o		45
	Sostituire					o	
Gioco valvola	Controllare-regolare					o (3)	-
Camera di combustione	Pulire		Ogni 300 ore (3)				-
Serbatoio e filtro carburante	Pulire				o (3)		-
Tubo del carburante	Controllare		Ogni 2 anni (sostituire se necessario) (3)				-

NOTA: (1) In caso di uso professionale, annotare le ore di utilizzo per stabilire gli intervalli di manutenzione.
 (2) In caso di utilizzo in zone polverose gli intervalli di manutenzione devono essere effettuati con maggiore frequenza.
 (3) La manutenzione di questi componenti deve essere effettuata dal proprio concessionario Honda, a meno che non si disponga degli attrezzi adatti e di conoscenze meccaniche qualificate. Fare riferimento al manuale d'officina Honda per le procedure di manutenzione.

1. CAMBIO DELL'OLIO

Per un drenaggio rapido e completo, scaricare l'olio a motore ancora caldo.

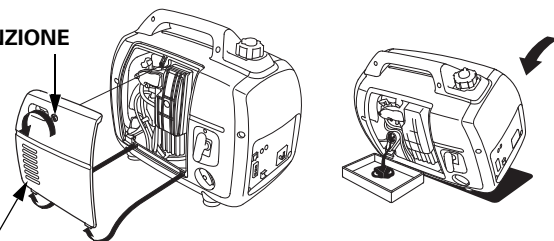
AVVERTENZA:

Prima di effettuare il drenaggio, verificare che l'interruttore del motore e la leva di sfiato del tappo carburante siano in posizione OFF.

1. Allentare la vite della coperchio del vano di manutenzione e rimuovere la copertura.
2. Rimuovere il tappo di riempimento olio.
3. Versare tutto l'olio sporco in un contenitore adeguato.
4. Rifornire con l'olio raccomandato (vedere pagina 15) e controllare il livello.
5. Rimuovere i residui di olio fuoriusciti dal generatore.
6. Installare nuovamente il tappo di riempimento olio.
7. Reinstallare il coperchio del vano di manutenzione e fissarlo in posizione serrando saldamente la vite.

CAPACITÀ OLIO MOTORE: 0,44 litri

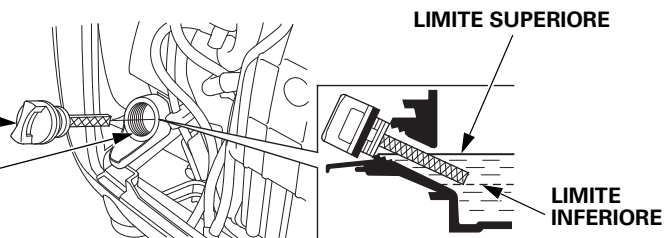
VITE COPERCHIO
VANO DI MANUTENZIONE



COPERCHIO VANO
DI MANUTENZIONE

TAPPO DI
RIEMPIMENTO
OLIO

FORO DI
RIEMPIMENTO OLIO



Lavarsi le mani con acqua e sapone dopo aver manipolato l'olio esausto.

NOTA:

Smaltire l'olio esausto secondo metodi e procedure conformi al rispetto dell'ambiente. Si consiglia di consegnare l'olio esausto in un contenitore sigillato alla stazione di servizio locale per il recupero. Non gettare l'olio nel contenitore dei rifiuti urbani né versarlo a terra.

2. MANUTENZIONE DEL FILTRO DELL'ARIA

Un filtro sporco riduce il passaggio dell'aria al carburatore. Per evitare un funzionamento irregolare del carburatore, controllare regolarmente il filtro dell'aria. Effettuare una manutenzione più frequente se si utilizza il generatore in ambienti particolarmente polverosi.

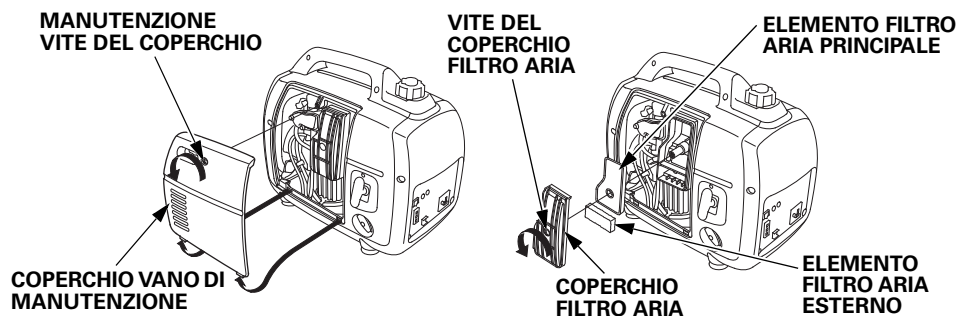
⚠ ATTENZIONE

Non utilizzare benzina o solventi ad alto grado di infiammabilità per la pulizia. Questi sono infiammabili e, in determinate condizioni, esplosivi.

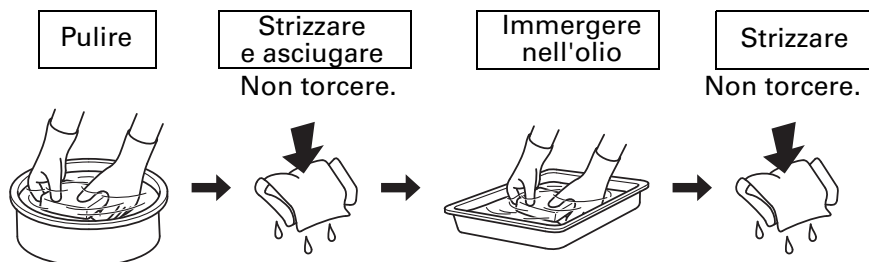
AVVERTENZA:

Non azionare mai il generatore in assenza del filtro dell'aria. Ciò potrebbe causare una rapida usura del motore.

1. Allentare la vite della coperchio del vano di manutenzione e rimuovere la copertura.
2. Allentare la vite del coperchio del filtro aria e rimuoverlo.



3. Lavare in acqua calda e sapone, risciacquare e far asciugare perfettamente, oppure lavare in un solvente con alto punto di infiammabilità e lasciare asciugare. Immergere gli elementi filtro aria principale ed esterno in olio motore pulito e strizzarli a fondo per eliminare l'olio in eccesso. Se nell'elemento in spugna dovesse esserci una quantità eccessiva di olio residuo, all'avviamento del motore si formerà del fumo.



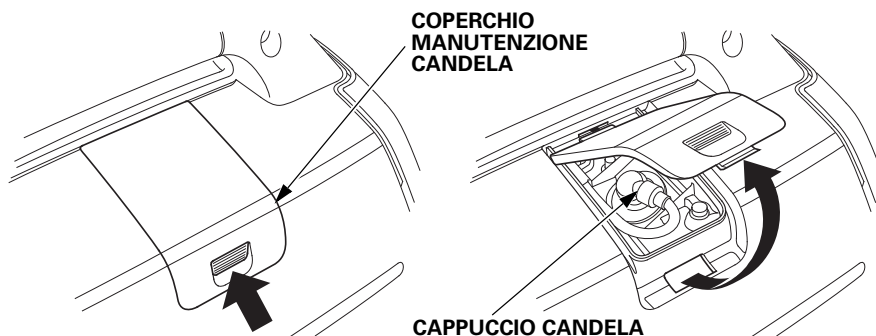
4. Reinstallare l'elemento principale e quello esterno, unitamente al relativo coperchio del filtro aria. Serrare saldamente la vite del coperchio del filtro dell'aria.
5. Reinstallare il coperchio del vano di manutenzione e fissarlo in posizione serrando saldamente la vite.

3. MANUTENZIONE CANDELE

CANDELA CONSIGLIATA: CR5HSB (NGK)

Per garantire un funzionamento ottimale del motore, la distanza tra gli elettrodi deve essere corretta e la superficie dell'elettrodo non deve presentare depositi.

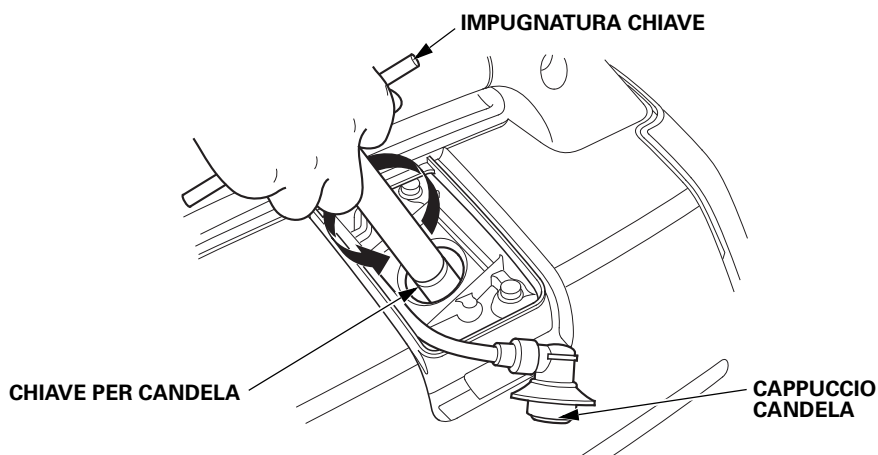
1. Rimuovere il coperchio del vano manutenzione candela.



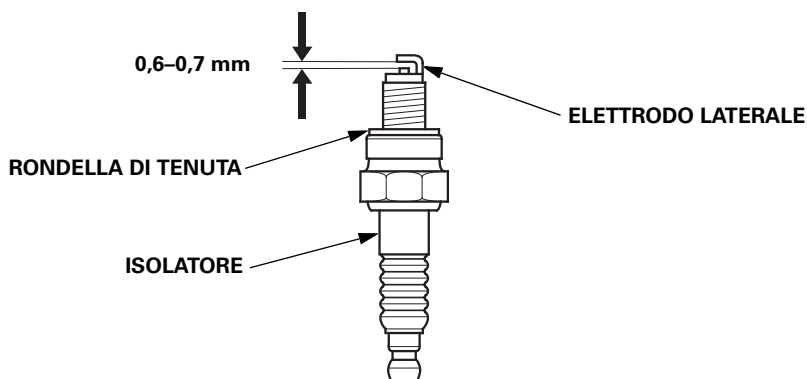
2. Rimuovere la pipetta della candela.

3. Pulire la sporcizia presente attorno alla base della candela.

4. Rimuovere la candela con l'apposita chiave.



-
5. Ispezionare visivamente la candela. Scartare la candela se l'isolatore appare rotto, scheggiato o contaminato. Pulire la candela con una spazzola metallica nel caso in cui si intenda riutilizzarla.
 6. Misurare la distanza fra gli elettrodi con uno spessimetro. Se necessario correggere la distanza piegando con cautela l'elettrodo laterale.
La distanza deve essere:
0,6–0,7 mm



7. Installare con attenzione la candela, a mano, per evitare di danneggiare la filettatura.
8. Dopo aver avvitato manualmente la nuova candela, serrare di 1/2 giro con una chiave fino a comprimere la rondella di tenuta.
Se si reinstalla una candela usata, serrarla di 1/8 - 1/4 di giro dopo averla avvitata manualmente.
9. Reinstallare saldamente la pipetta sulla candela.
10. Reinstallare il del vano manutenzione candela.

AVVERTENZA:

- **La candela deve essere ben serrata. Una candela serrata in modo non corretto può diventare molto calda e danneggiare così il generatore.**
- **Non usare mai una candela che abbia un grado termico non adeguato.**

9. TRASPORTO/STOCCAGGIO

Per evitare fuoriuscite di carburante durante il trasporto o l'immagazzinamento temporaneo, fissare il generatore in verticale nella normale posizione di funzionamento con l'interruttore del motore su OFF.

Ruotare la leva di sfiato del tappo carburante in senso antiorario, verso la posizione OFF.

Lasciar raffreddare il motore prima di posizionare la leva di sfiato del tappo carburante su OFF.

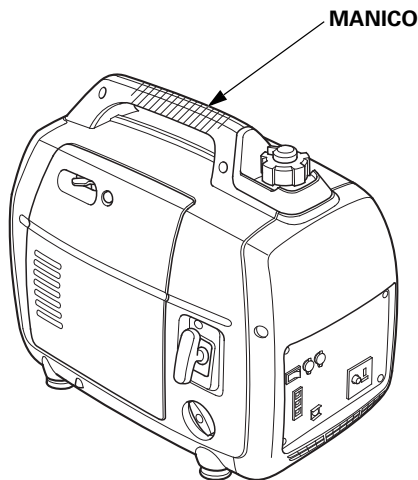
⚠ ATTENZIONE

Durante il trasporto del generatore:

- **Non riempire eccessivamente il serbatoio carburante (non deve esserci carburante nel bocchettone di riempimento).**
- **Non mettere in funzione il generatore mentre è ancora sul mezzo di trasporto. Scaricarlo dal mezzo ed azionarlo in un'area ben aerata.**
- **Nel caricare il generatore su un mezzo di trasporto, evitare di esporlo alla luce diretta del sole. Se il generatore viene lasciato all'interno di un veicolo per molte ore, l'elevata temperatura interna potrebbe far evaporare la benzina e causare un'esplosione.**
- **Non guidare per un periodo prolungato su strade dissestate con il generatore a bordo. Se ciò fosse necessario, procedere prima a rimuovere il carburante dal serbatoio del generatore.**

NOTA:

Trasportare il generatore mediante l'apposita maniglia di trasporto (area tratteggiata nella figura sottostante).



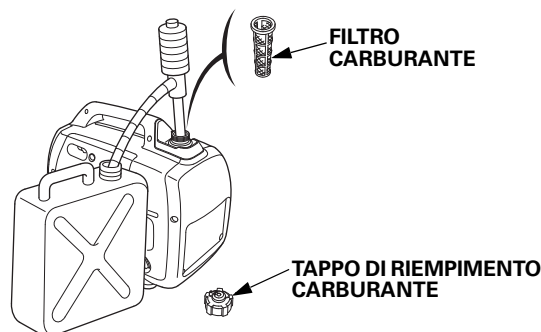
Prima di immagazzinare l'apparecchio per un periodo prolungato:

1. Accertarsi che l'area di stoccaggio sia priva di umidità e che non sia eccessivamente polverosa.
2. Scaricare il carburante.

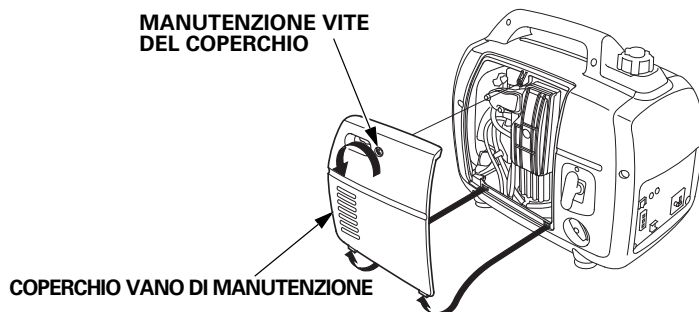
⚠ ATTENZIONE

La benzina è estremamente infiammabile e, in determinate condizioni, esplosiva. Eseguire l'operazione in un luogo ben ventilato e a motore spento. Non fumare e non avvicinare fiamme o scintille mentre si svolge questa procedura.

- a. Svitare il tappo di riempimento carburante (vedere pagina 17); rimuovere il filtro carburante e svuotare il serbatoio, versando il carburante in un contenitore per carburante di tipo idoneo. Per lo svuotamento del serbatoio si consiglia di utilizzare una pompa manuale per benzina reperibile in commercio. Non utilizzare una pompa elettrica. Installare nuovamente il filtro carburante e il tappo di riempimento carburante.

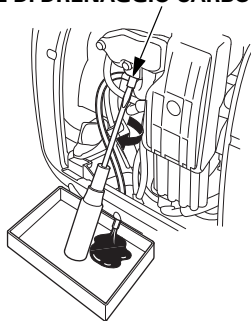


- b. Allentare la vite del coperchio del vano di manutenzione e rimuovere la copertura (vedere pagina 43).

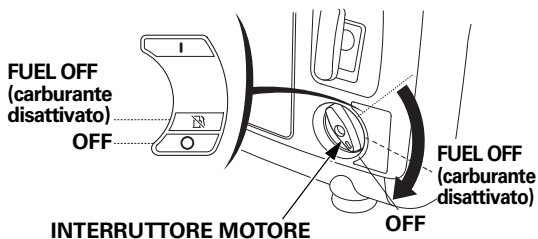


- c. Rimuovere la vite di spurgo del carburatore e scaricare la benzina in un apposito contenitore.

VITE DI DRENAGGIO CARBURATORE

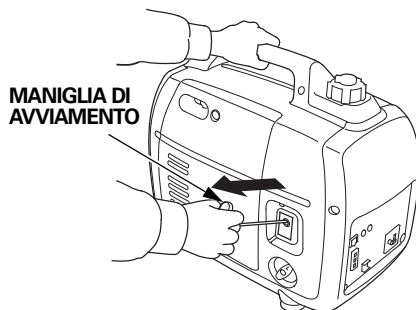


- d. Rimuovere il coperchio del vano manutenzione candela e il cappuccio della candela (vedere pagina 45).
e. Portare l'interruttore del motore in posizione ON (vedere pagina 20).
f. Tirare la maniglia di avviamento (vedere pagina 20) per 3 o 4 volte, al fine di scaricare il carburante dalla pompa del carburante in un contenitore di tipo idoneo.
g. Sposta l'interruttore del motore in modo sicuro nella posizione OFF (spento).



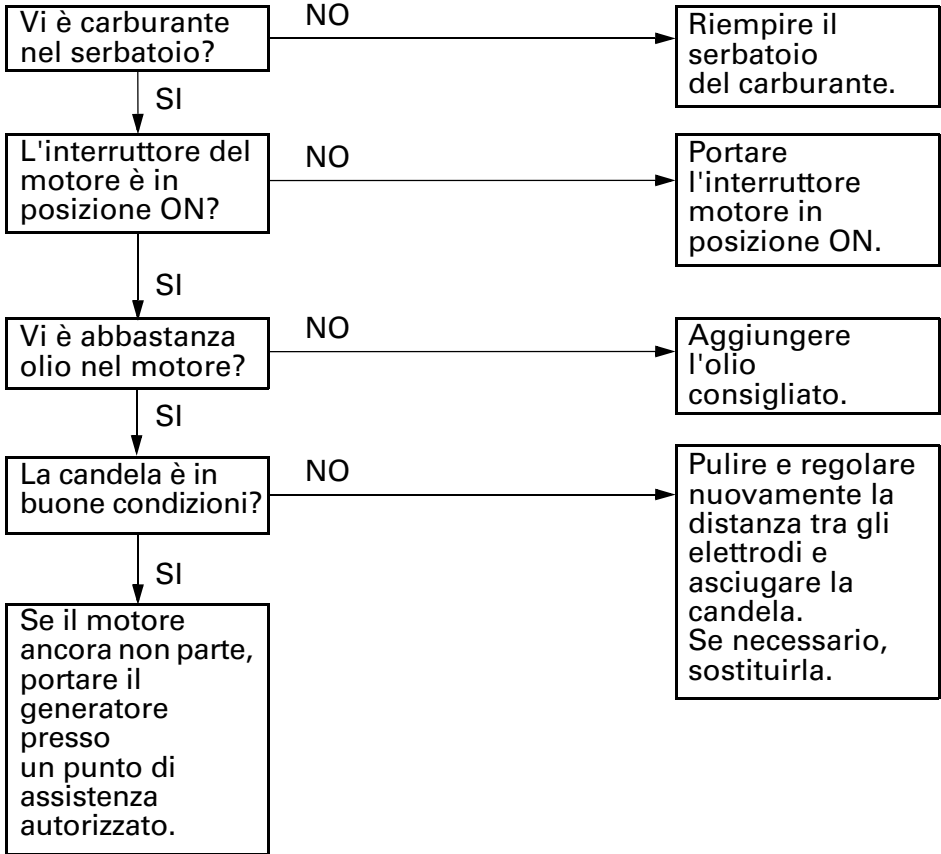
- h. Reinstallare la vite di spurgo del carburatore.

3. Cambiare l'olio motore (vedere pagina 43).
4. Rimuovere la candela e versare un cucchiaino di olio motore pulito all'interno del cilindro. Avviare il motore più volte per distribuire l'olio, quindi reinstallare la candela (vedere pagina 45).
5. Tirare lentamente l'impugnatura di avviamento fino ad avvertire una certa resistenza. A questo punto, il pistone risale nella sua fase di compressione, con le valvole di aspirazione e di scarico chiuse. Immagazzinando il motore in questa condizione è possibile proteggerlo dalla corrosione interna.

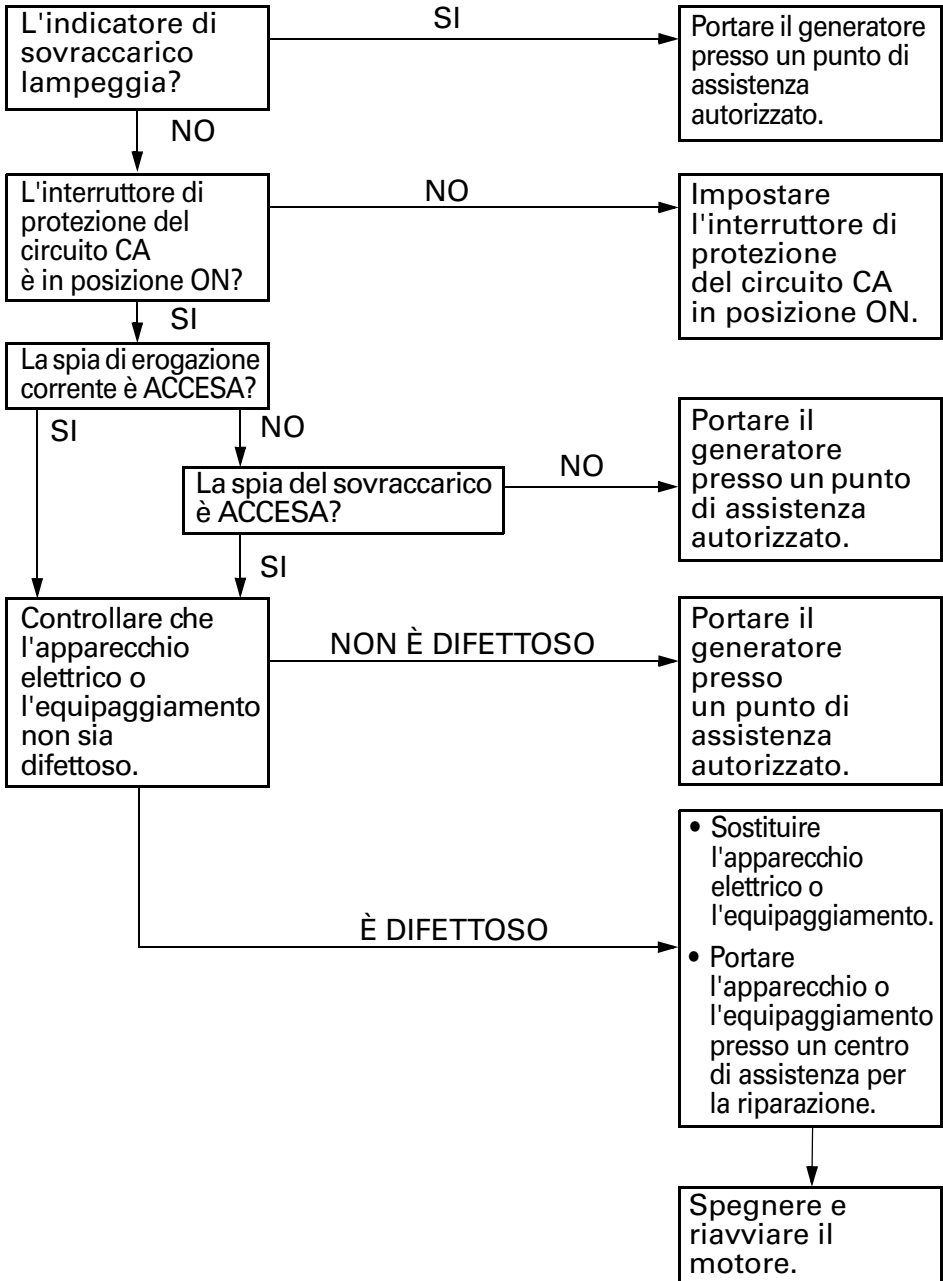


10. RICERCA GUASTI

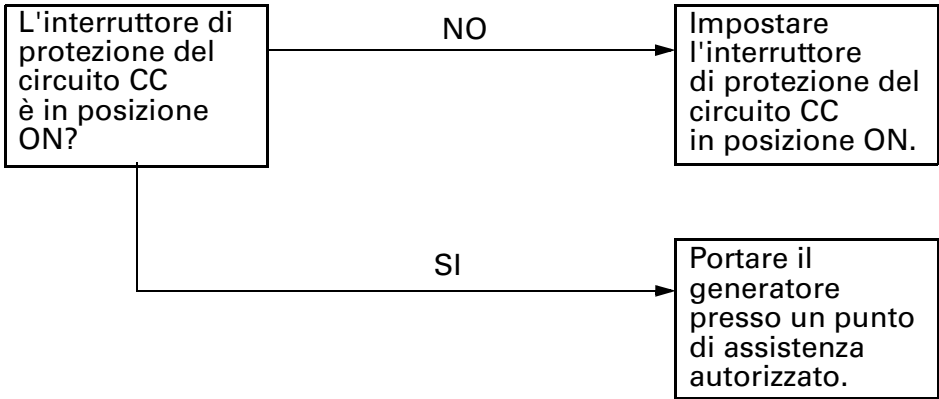
Se il motore non si avvia:



L'apparecchio collegato al generatore non funziona:



Assenza di elettricità nella presa CC (Tranne tipo B):



11. SPECIFICHE

Dimensioni e peso

Modello	EU22iT		
Tipo	E, W, B1, F	G	B
Codice descrittivo	EAMT		
Lunghezza	509 mm	519 mm	541 mm
Larghezza	290 mm		
Altezza	425 mm		
Peso a secco	21,2 kg		

Motore

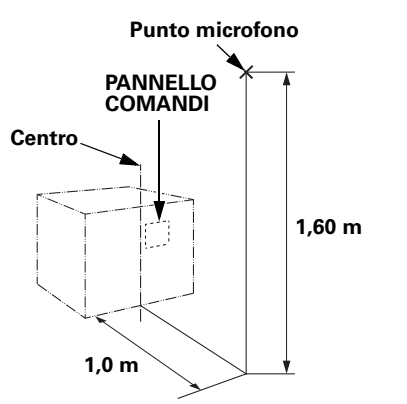
Modello	GXR120T
Tipo di motore	4 tempi, albero a camme in testa, monocilindrico
Cilindrata	121 cm ³
Alesaggio x corsa	60,0 x 43,0 mm
Rapporto di compressione	8,5:1
Regime del motore	2.800–4.500 giri/min 4.000–4.500 giri/min (con interruttore di accelerazione ECO su OFF)
Sistema di raffreddamento	Ad aria forzata
Sistema di accensione	Completamente transistorizzato
Capacità olio motore	0,44 litri
Capacità serbatoio carburante	3,6 litri
Candela	CR5HSB (NGK)
Emissioni di anidride carbonica*	931 g/kW·hr

* La misurazione di CO₂ è il risultato di test eseguiti in un ciclo di prova fisso in condizioni di laboratorio su un motore (principale) come modello rappresentativo del tipo di motore (famiglia di motori) e non implica o indica la garanzia di prestazioni particolari del motore stesso.

Generatore

Modello		EU22iT	
Tipo		E, W, B1, F, G	B
Uscita CA	Tensione nominale	230 V	110 V
	Frequenza nominale	50 Hz	
	Amperaggio nominale	7,8 A	16,4 A
	Potenza nominale	1,8 kVA	
	Potenza massima	2,2 kVA	
Uscita nominale CC		Solo per carica di batterie per autotrazione da 12 V. 12 V, 8,3 A	–

Rumorosità

Modello	EU22iT
Tipo	E, W, B1, F, G, B
Livello di pressione acustica nella postazione di lavoro (2006/42/CE)	72 dB (A) (con interruttore di accelerazione ECO su ON)
 <p>Punto microfono PANNELLO COMANDI Centro 1,60 m 1,0 m</p>	
Incertezza	2 dB (A)
Livello di potenza acustica misurata (2000/14/CE, 2005/88/CE)	88 dB (A) (con interruttore di accelerazione ECO su ON)
Incertezza	2 dB (A)
Livello di potenza acustica garantita (2000/14/CE, 2005/88/CE)	90 dB (A) (con interruttore di accelerazione ECO su ON)

“Le cifre fornite rappresentano i livelli di emissione e non corrispondono necessariamente ai livelli di sicurezza. Sebbene esista una correlazione tra i livelli di emissione e quelli di esposizione, non è possibile determinare con certezza se siano necessarie ulteriori precauzioni. Tra i fattori che influiscono sull'effettivo livello di esposizione del personale vi sono le caratteristiche del luogo di lavoro, le altre fonti di rumore, come il numero di macchinari e altri processi in corso nell'area, nonché il tempo di esposizione al rumore. Il livello di esposizione consentito può variare a seconda del paese. Tuttavia queste informazioni consentono all'utente di valutare meglio i rischi e i pericoli”.

NOTA:

Le specifiche sono soggette a variazioni senza preavviso.

12. SCHEMA ELETTRICO

INDICE

(Vedere il retro della copertina a fine manuale)

Tipi B1, E, F, G, W.....	W-1
Tipo B.....	W-2


ABBREVIAZIONI

Simbolo	Nome parte	Simbolo	Nome parte
AC,CP	Interruttore di protezione circuito CA	SpU	Unità di accensione
ACOR	Presa di uscita CA	StpM	Motore passo-passo (Controllo accelerazione)
(B1)	Tipo B1	SW	Avvolgimento secondario
Cot	Presa per funzionamento parallelo	To Ge	Al generatore
CPB	Blocco pannello comandi	(W)	Tipo W
DC,CP	Interruttore di protezione circuito CC		
DC,D	Diodo CC		
DC,NF	Filtro antirumore CC		
DCOR	Presa di uscita CC		
DC,W	Avvolgimento CC		
EcoSw	Interruttore accelerazione ECO		
EgB	Blocco motore		
EgG	Massa motore		
ESw	Interruttore motore		
ExW	Avvolgimento di eccitazione		
FrB	Blocco telaio		
FrG	Massa telaio		
FTU	Unità transistor completo		
(F)	Tipo F		
(G, E)	Tipi G, E		
GeB	Blocco generatore		
GT	Terminale di terra		
IB	Gruppo inverter		
IgC	Bobina di accensione		
IU	Inverter		
MW	Avvolgimento principale		
OAL	Spia allarme olio		
OAU	Unità di allarme olio		
OI	Spia sovraccarico		
OLSw	Interruttore livello olio		
PC	Bobina a impulsi		
PL	Spia di erogazione corrente		
RBx	Scatola presa per Funzionamento parallelo		
SP	Candela		

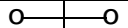
CODICE COLORE CAVO

Bl	NERO
Y	GIALLO
Bu	BLU
G	VERDE
R	ROSSO
W	BIANCO
Br	MARRONE
Lg	VERDE CHIARO
Gr	GRIGIO
Sb	CELESTE
O	ARANCIONE
P	ROSA

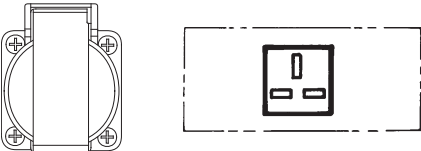
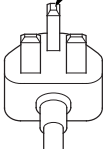
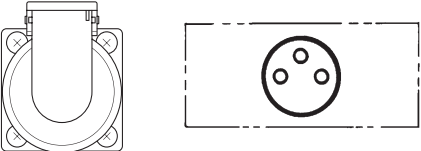
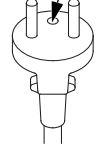
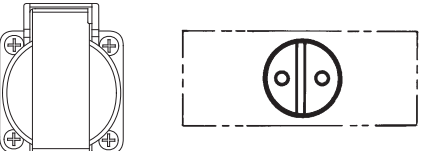
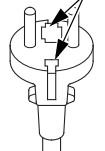
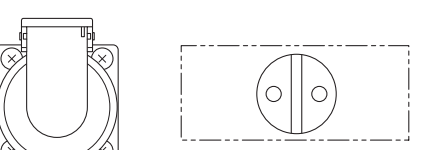
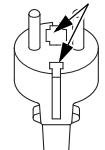
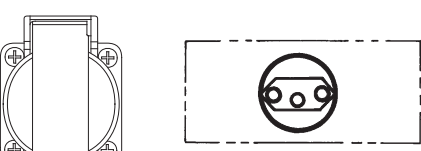
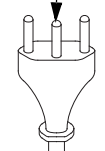
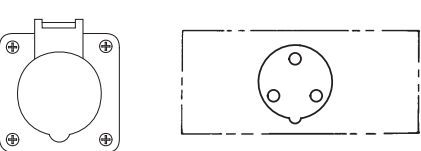
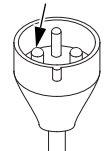
INTERRUTTORE MOTORE

	G	Bl
OFF		
ON		

INTERRUTTORE ACCELERAZIONE ECO

	R/W	R/Y
ON		
OFF		

PRESA

Tipo	Forma	Spina
B1		<p>TERMINALE DI TERRA</p> 
F		<p>TERMINALE DI TERRA</p> 
E		<p>TERMINALE DI TERRA</p> 
G		<p>TERMINALE DI TERRA</p> 
W		<p>TERMINALE DI TERRA</p> 
B		<p>TERMINALE DI TERRA</p> 

MEMO

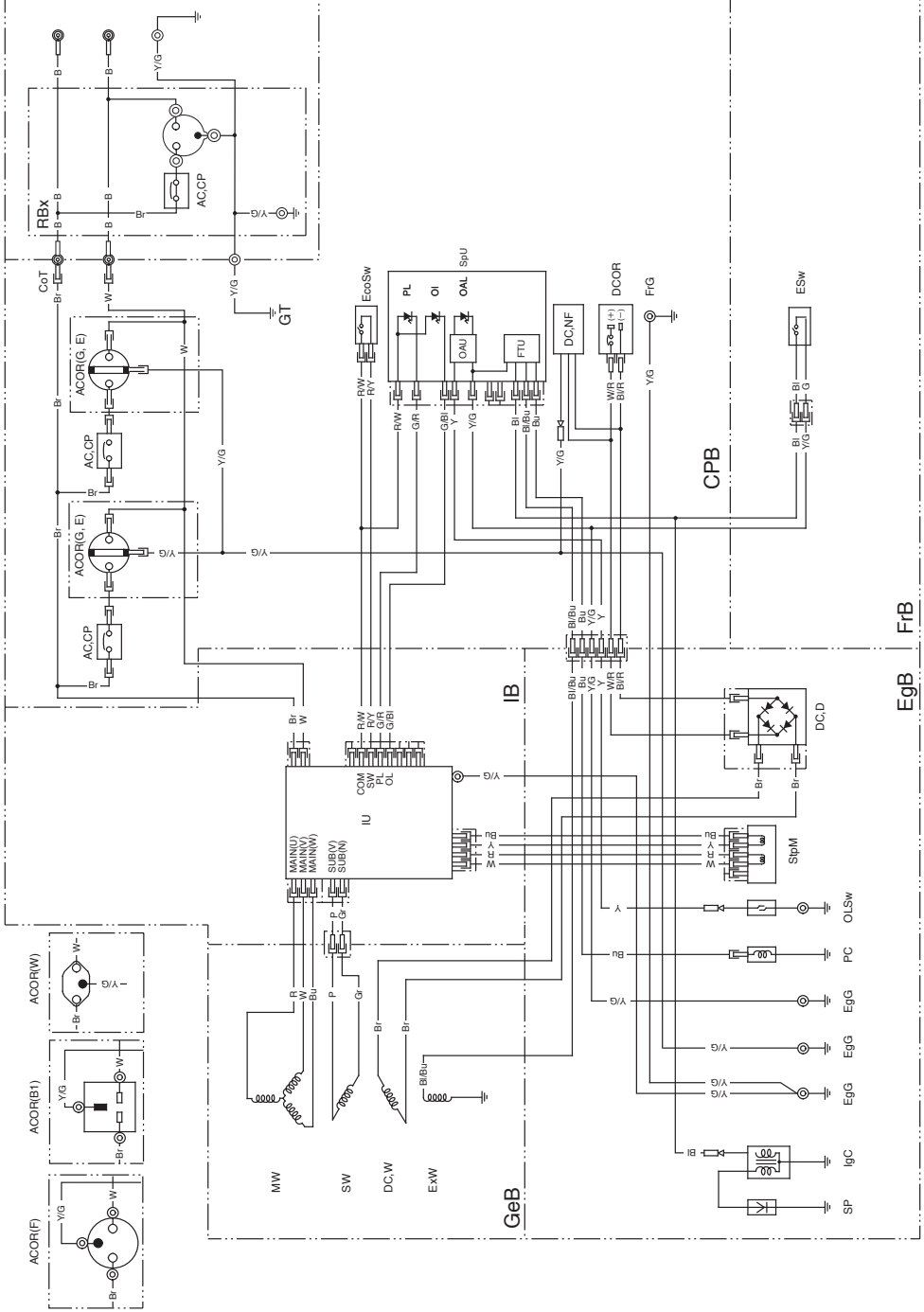
WIRING DIAGRAM

SCHÉMA DE CABLAGE

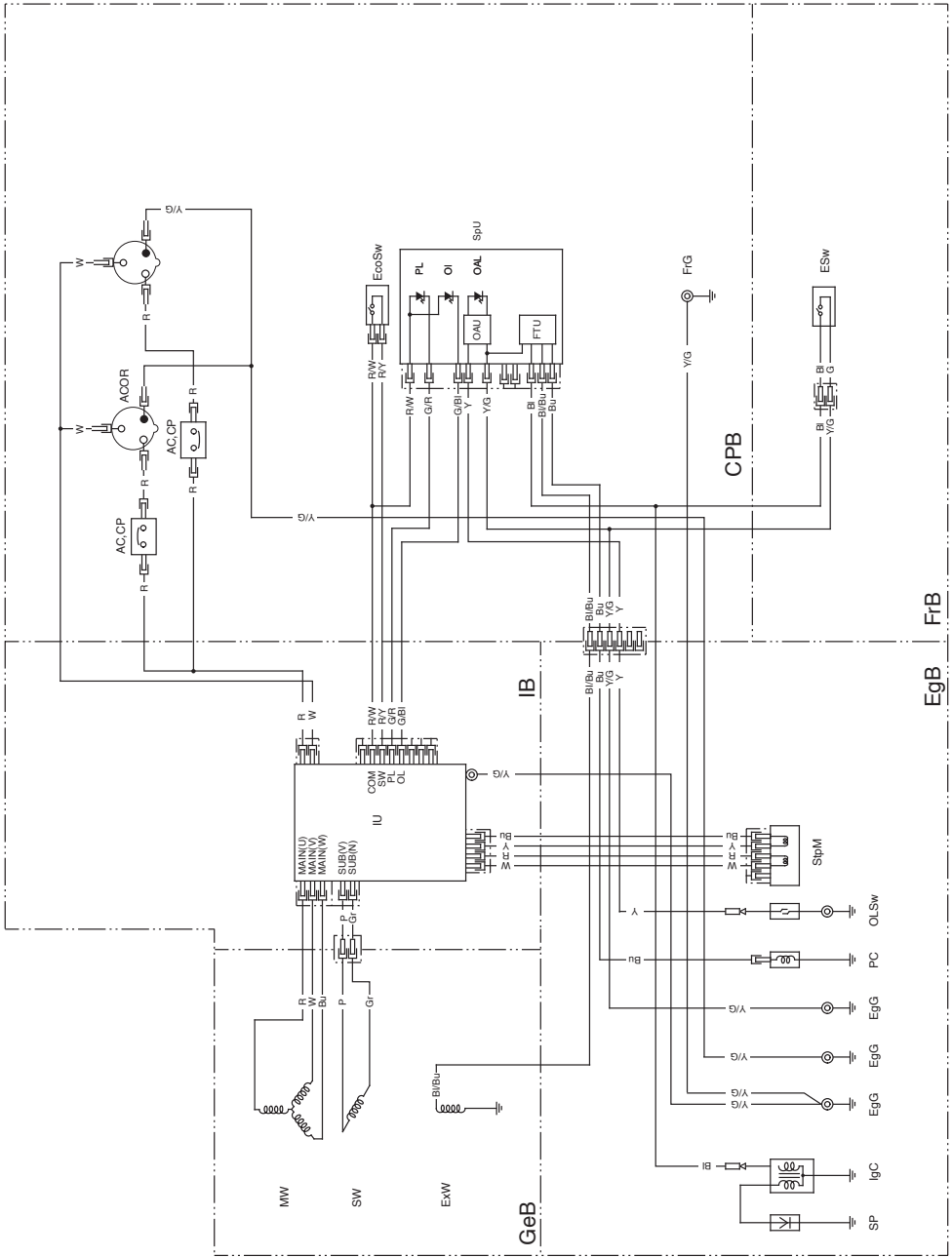
SCHALTPLAN

DIAGRAMMA DEI COLLEGAMENTI

W-1



EgB FrB



MAJOR Honda DISTRIBUTOR ADDRESSES

For further information, please contact Honda Customer Information Centre at the following address or telephone number:

ADRESSES DES PRINCIPAUX CONCESSIONNAIRES Honda

Pour plus d'informations, s'adresser au Centre d'informations clients Honda à l'adresse ou numéro de téléphone suivants:

ADRESSEN DER WICHTIGSTEN Honda-HAUPTHÄNDLER

Weitere Informationen erhalten Sie gerne vom Honda-Kundeninformationszentrum unter der folgenden Adresse oder Telefonnummer:

DIRECCIONES DE LOS PRINCIPALES CONCESIONARIOS Honda

Para obtener más información, póngase en contacto con el Centro de información para clientes Honda en la dirección o número de teléfono siguientes:

ELENCO DEI MAGGIORI DISTRIBUTORI Honda IN EUROPA

Per ulteriori informazioni rivolgersi al Centro informazioni clienti Honda al seguente indirizzo o numero telefonico:

AUSTRIA

Honda Motor Europe Ltd

Hondastraße 1
2351 Wiener Neudorf
Tel.: +43 (0)2236 690 0
Fax: +43 (0)2236 690 480
<http://www.honda.at>
✉ HondaPP@honda.co.at

BALTIC STATES (Estonia/Latvia/ Lithuania)

NCG Import Baltics OU

Meistri 12
Haabersti District
13517 Tallinn
Harju County Estonia
Tel.: +372 651 7300
Fax: +372 651 7301
✉ info.baltic@ncgimport.com

BELARUS

UAB JP Motors

Montazhnikov lane 4th, 5-16
Minsk 220019
Republic of Belarus
Tel.: +375172349999
Fax: +375172380404
✉ honda@jpmotors.lt

BELGIUM

Honda Motor Europe Ltd

Doornveld 180-184
1731 Zellik
Tel.: +32 2620 10 00
Fax: +32 2620 10 01
<http://www.honda.be>
✉ bh_pe@honda-eu.com

BULGARIA

Premium Motor Ltd

Andrey Lyapchev Blvd no 34
1797 Sofia
Bulgaria
Tel.: +3592 423 5879
Fax: +3592 423 5879
<http://www.hondamotor.bg>
✉ office@hondamotor.bg

CROATIA

Hongoldonia d.o.o.

Vukovarska ulica 432a
31000 Osijek, HR
Tel.: +38531320420
Fax: +38531320429
<http://www.hongoldonia.hr>
✉ prodaja@hongoldonia.hr

CYPRUS

Demstar Automotive Ltd

Mihail Giorgalla 14
2409 Engomi
Nicosia
Cyprus
Tel.: +357 22 792 600
Fax: +357 22 430 313

CZECH REPUBLIC

BG Technik cs, a.s.

U Zavodiste 251/8
15900 Prague 5 - Velka
Chuchle
Tel.: +420 2 838 70 850
Fax: +420 2 667 111 45
<http://www.honda-stroje.cz>

DENMARK

TIMA A/S

Ryttermarken 10
DK-3520 Farum
Tel.: +45 36 34 25 50
Fax: +45 36 77 16 30
<http://www.tima.dk>

FINLAND

OY Brandt AB.

Tuupakantie 7B
01740 Vantaa
Tel.: +358 207757200
Fax: +358 9 878 5276
<http://www.brandt.fi>

FRANCE

Honda Motor Europe Ltd

Division Produit d'Equipement
Parc d'activités de Pariest,
Allée du 1er mai
Croissy Beaubourg BP46, 77312
Marne La Vallée Cedex 2
Tel.: 01 60 37 30 00
Fax: 01 60 37 30 86
<http://www.honda.fr>
✉ espace-client@honda-eu.com

GERMANY

**Honda Deutschland
Niederlassung der Honda Motor
Europe Ltd.**

Hanauer Landstraße 222-224
D-60314 Frankfurt
Tel.: 01805 20 20 90
Fax: +49 (0)69 83 20 20
<http://www.honda.de>
✉ info@post.honda.de

GREECE

Saracakis Brothers S.A.

71 Leoforos Athinon
10173 Athens

Tel.: +30 210 3497809

Fax: +30 210 3467329

<http://www.honda.gr>

✉ info@saracakis.gr

HUNGARY

MP Motor Co., Ltd.

Kamaraerdei ut 3.
2040 Budaors

Tel.: +36 23 444 971

Fax: +36 23 444 972

<http://www.hondakisgepek.hu>

✉ info@hondakisgepek.hu

IRELAND

Two Wheels Ltd

M50 Business Park, Ballymount
Dublin 12

Tel.: +353 1 4381900

Fax: +353 1 4607851

<http://www.hondaireland.ie>

✉ sales@hondaireland.ie

ISRAEL

Mayer's Cars and Trucks Co.Ltd. - Honda Division

Shevach 5, Tel Aviv , 6777936
Israel

+972-3-6953162

✉ OrenBe@mct.co.il

ITALY

Honda Motore Europe Ltd

Via della Cecchignola, 13
00143 Roma

Tel.: +848 846 632

Fax: +39 065 4928 400

<http://www.hondaitalia.com>

✉ info.power@honda-eu.com

MACEDONIA

Makpetrol A.D. Honda Centar

Bul.sv Kiril & Metodij br. 4
1000, Skopje

Republic of Macedonia

✉ [aleksandar.stanojlovic@](mailto:aleksandar.stanojlovic@makpetrol.com.mk)

makpetrol.com.mk

MALTA

The Associated Motors Company Ltd.

New Street in San Gwakklin Road
Mriehel Bypass, Mriehel QRM17

Tel.: +356 21 498 561

Fax: +356 21 480 150

✉ mgalea@gasanzammit.com

NORWAY

Berema AS

P.O. Box 454 1401 Ski

Tel.: +47 64 86 05 00

Fax: +47 64 86 05 49

<http://www.berema.no>

✉ berema@berema.no

POLAND

Aries Power Equipment

Puławska 467
02-844 Warszawa

Tel.: +48 (22) 861 43 01

Fax: +48 (22) 861 43 02

<http://www.ariespower.pl>

<http://www.mojahonda.pl>

✉ info@ariespower.pl

PORTUGAL

GROW Productos de Forza Portugal

Rua Fontes Pereira de Melo, 16
Abrunheira, 2714-506 Sintra

Tel.: +351 211 303 000

Fax: +351 211 303 003

<http://www.grow.com.pt>

✉ geral@grow.com.pt

ROMANIA

Hit Power Motor SRL

Intr Gheorghe Simionescu Nr 4
Sector 1

Bucharest 1

Romania

Tel.: (+4) 0371 201 040

✉ office@honda.ro

ROMANIA

Agrisorg SRL

Sacadat Str Principala
Nr 444/A Jud. Bihor

Oradea

Romania

Tel.: (+4) 0259 458 336

✉ info@agrisorg.com

SERBIA & MONTENEGRO

ITH Trading Co Doo

Majke Jevrosime 26

1100 Beograd

Serbia

Tel: +381 11 3240627

Fax: +381 11 3240627

<http://www.hondasrbija.co.rs>

✉ sstevanovic@ithtrading.co.rs

SLOVAK REPUBLIC

**Honda Motor Europe Ltd
Slovensko, organizačná zložka**

Prievozská 6 821 09 Bratislava

Tel.: +421 2 32131111

Fax: +421 2 32131112

<http://www.honda.sk>

SLOVENIA

AS Domzale Moto Center D.O.O.

Blatnica 3A

1236 Trzin

Tel.: +386 1 562 3700

Fax: +386 1 562 3705

<http://www.honda-as.com>

✉ infomacije@honda-as.com

SPAIN & all Provinces

Greens Power Products, S.L.

Poligono Industrial Congost –

Av Ramon Ciurans n°2

08530 La Garriga - Barcelona

Tel.: +34 93 860 50 25

Fax: +34 93 871 81 80

<http://www.hondaencasa.com>

SWEDEN

**Honda Motor Europe Ltd filial
Sverige**

Box 31002 - Långhusgatan 4

215 86 Malmö

Tel.: +46 (0)40 600 23 00

Fax: +46 (0)40 600 23 19

<http://www.honda.se>

✉ hpesinfo@honda-eu.com

SWITZERLAND

**Honda Motor Europe Ltd.
Succursale de Satigny/Genève**

Rue de la Bergère 5

1242 Satigny

Tel.: +41 (0)22 989 05 00

Fax: +41 (0)22 989 06 60

<http://www.honda.ch>

TURKEY

**Anadolu Motor Uretim Ve
Pazarlama As**

Sekerpınar Mah

Albayrak Sok No 4

Cayırova 41420

Kocaeli

Tel.: +90 262 999 23 00

Fax: +90 262 658 94 17

<http://www.anadolumotor.com.tr>

✉ antor@antor.com.tr

UKRAINE

Dnipro Motor LLC

3, Bondarsky Alley,

Kyiv, 04073, Ukraine

Tel.: +380 44 537 25 76

Fax: +380 44 501 54 27

✉ igor.lobunets@honda.ua

UNITED KINGDOM

Honda Motor Europe Ltd

Cain Road

Bracknell

Berkshire

RG12 1 HL

Tel.: +44 (0)845 200 8000

<http://www.honda.co.uk>

"EC Declaration of Conformity" CONTENT OUTLINE
"Déclaration CE de Conformité" DESCRIPTION DE TABLE DES MATIERES
"EG-Konformitätserklärung" INHALTSÜBERSICHT
DESCRIPCIÓN GENERAL DEL CONTENIDO DE LA "Declaración de Conformidad CE"
DESCRIZIONE DEL CONTENUTO DELLA "Dichiarazione CE di Conformità"

EC Declaration of Conformity

1. The undersigned, *2, on behalf of the authorized representative, herewith declares that the machinery described below fulfils all the relevant provisions of:

- Directive 2006/42/EC on machinery
- Directive 2014/30/EU on electromagnetic compatibility
- Directive 2000/14/EC – 2005/88/EC on outdoor noise
- Directive 2011/65/EU - (EU) 2015/863 on the restriction of the use of certain hazardous substances in electrical and electronic equipment

2. Description of the machinery

- a) Product: Generating sets
b) Function: producing electrical power

c) Model	d) Type	e) Serial number
*1	*1	

3. Manufacturer

Thai Honda Manufacturing Co., Ltd.
410 Ladkrabang Industrial Estate Lamplatu, Ladkrabang, Bangkok 10520 Thailand

4. Authorized representative and able to compile the technical documentation

Honda Motor Europe Ltd - Aalst Office
Wijngaardveld 1 (Noord V)
9300 Aalst - Belgium

5. References to applied standards

EN ISO 8528-13:2016
EN 55012:2007+A1:2009
EN 61000-6-1:2007

6. Outdoor noise Directive

- a) Measured sound power (dB(A)): *1
b) Guaranteed sound power (dB(A)): *1
c) Noise parameter (kW): *1
d) Conformity assessment procedure: *2
e) Notified body: *2

7. Done at:

Aalst , BELGIUM

8. Date:

*2

*2
Manager Homologation Department

*1: see specification page.

*2: see original EC Declaration of Conformity.

*1: voir page de spécifications

*2: voir la Déclaration CE de Conformité originale

*1: Siehe Spezifikationen-Seite

*2: Siehe ursprüngliche EG-Konformitätserklärung

*1: consulte la página de las especificaciones

*2: ver Declaración de conformidad CE original

*1: vedi la pagina delle caratteristiche tecniche

*2: V. Dichiarazione CE di Conformità originale

*1: Zie specificities pagina

*2: Zie ook de originele EG-verklaring van overeenstemming

<p>Français (French) Déclaration CE de Conformité</p> <p>1. Le sous signé, *2, de la part du représentant autorisé, déclare que la machine décrit ci-dessous répond à toutes les dispositions applicables de</p> <ul style="list-style-type: none"> * Directive Machine 2006/42/CE * Directive 2014/30/UE sur la compatibilité électromagnétique * Directive 2000/14/CE - 2005/88/CE des émissions sonores dans l'environnement des matériels destinés à être utilisés à l'extérieur des bâtiments * Directive 2011/65/UE - (UE) 2015/863 relative à la limitation de l'utilisation de certaines substances dangereuses dans les équipements électriques et électroniques <p>2. Description de la machine</p> <p>a) Produit : Générateur b) Fonction : produire du courant électrique c) Modèle d) Type e) Numéro de série</p> <p>3. Constructeur</p> <p>4. Représentant autorisé et en charge des éditions de documentation techniques</p> <p>5. Référence aux normes appliquées</p> <p>6. Directive des émissions sonores dans l'environnement des matériels destinés à être utilisés à l'extérieur des bâtiments</p> <p>a) Puissance acoustique mesurée b) Puissance acoustique garantie c) Paramètre du bruit d) Procédure d'évaluation de conformité</p> <p>e) Organisme notifié</p> <p>7. Fait à 8. Date</p>	<p>Italiano (Italian) Dichiarazione CE di Conformità</p> <p>1. Il sottoscritto, *2, in qualità di rappresentante autorizzato, dichiara qui di seguito che la macchina sotto descritta soddisfa tutte le disposizioni pertinenti delle:</p> <ul style="list-style-type: none"> * Direttiva macchine 2006/42/CE * Direttiva sulla compatibilità elettromagnetica 2014/30/UE * Direttiva sulla emissione acustica delle macchine e attrezzature destinate a funzionare all'aperto 2000/14/CE - 2005/88/CE * Direttiva 2011/65/UE - (UE) 2015/863 sulla restrizione dell'uso di determinate sostanze pericolose nelle apparecchiature elettriche ed elettroniche <p>2. Descrizione della macchina</p> <p>a) Prodotto : Generatore b) Funzione : Produzione di energia elettrica c) Modello d) Tipo e) Numero di serie</p> <p>3. Costruttore</p> <p>4. Rappresentante autorizzato e competente per la compilazione della documentazione tecnica</p> <p>5. Riferimento alle norme applicate</p> <p>6. Direttiva sulla emissione acustica delle macchine e attrezzature destinate a funzionare all'aperto</p> <p>a) Livello di potenza sonora misurato b) Livello di potenza sonora garantito c) Parametri emissione acustica d) Procedura di valutazione della conformità</p> <p>e) Organismo notificato</p> <p>7. Fatto a 8. Data</p>	<p>Deutsch (German) EG-Konformitätserklärung</p> <p>1. Der Unterzeichner, *2 erklärt hiermit im Namen der Bevollmächtigten, dass das hierunter genannte Maschine allen einschlägigen Bestimmungen der * entspricht.</p> <ul style="list-style-type: none"> * Maschinenrichtlinie 2006/42/EG * Richtlinie der Elektromagnetischen Kompatibilität 2014/30/UE * Geräuschrichtlinie im Freien 2000/14/EG - 2005/88/EG * Richtlinie 2011/65/UE - (EU) 2015/863 zur Beschränkung der Verwendung bestimmter gefährlicher Stoffe in Elektro- und Elektronikgeräten <p>2. Beschreibung der Maschine</p> <p>a) Produkt : Stromerzeuger b) Funktion : Strom produzieren c) Modell d) Typ e) Seriennummer</p> <p>3. Hersteller</p> <p>4. Bevollmächtigter und in der Position, die technische Dokumentation zu erstellen</p> <p>5. Verweis auf aufwendbare Standards</p> <p>6. Geräuschrichtlinie im Freien</p> <p>a) gemessene Lautstärke b) Schalleistungspegel c) Geräuschvorgabe d) Konformitätsbewertungs Ablauf e) Benannte Stelle</p> <p>7. Ort 8. Datum</p>
<p>Nederlands (Dutch) EG-verklaring van overeenstemming</p> <p>1. Ondergetekende, *2, in naam van de gemachtigde van de fabrikant, verklaart hiermee dat het hieronder beschreven machine voldoet aan alle toepasselijke bepalingen van:</p> <ul style="list-style-type: none"> * Richtlijn 2006/42/EG betreffende machines * Richtlijn 2014/30/UE betreffende elektromagnetische overeenstemming * Richtlijn 2000/14/EG - 2005/88/EG betreffende geluidsemissie (openlucht) * Richtlijn 2011/65/UE - (EU) 2015/863 betreffende beperking van het gebruik van bepaalde gevaarlijke stoffen in elektrische en elektronische apparatuur <p>2. Beschrijving van de machine</p> <p>a) Product : Generator b) Functie : elektriciteit produceren c) Model d) Type e) Serienummer</p> <p>3. Fabrikant</p> <p>4. Gemachtigde van de fabrikant en in staat om de technische documentatie samen te stellen</p> <p>5. Referentie voor toegepaste normen</p> <p>6. Geluidsemissierichtlijn (openlucht)</p> <p>a) Gemeten geluidsvermogensniveau b) Gewaarborgd geluidsvermogensniveau c) Geluidsparemeter</p> <p>d) Conformiteitsbeoordelingsprocedure</p> <p>e) Aangemelde instantie</p> <p>7. Plaats 8. Datum</p>	<p>Dansk (Danish) EF OVERENSTEMMELSEERKLÆRING</p> <p>1. UNDERTEGENEDE, *2, PÅ VEGNE AF DEN AUTORISEREDE REPRÆSENTANT, ERKLÆRER HERMED AT MASKINEN, SOM ER BESKREVET NEDENFOR, OPFYLDER ALLE RELEVANTE BESTEMTELSER FØLGENDE:</p> <ul style="list-style-type: none"> * MASKINDIREKTIV 2006/42/EF * EMC-DIREKTIV 2014/30/UE * DIREKTIV OM STØJEMMISSION 2000/14/EF - 2005/88/EF * Direktiv 2011/65/UE - (EU) 2015/863 om begrænsning af anvendelsen af visse farlige stoffer i elektrisk og elektronisk udstyr <p>2. BESKRIVELSE AF PRODUKTET</p> <p>a) Produkt : Generator b) ANVENDELSE : Produktion af elektricitet c) Model d) TYPE e) SERIENUMMER</p> <p>3. PRODUCENT</p> <p>4. AUTORISERET REPRÆSENTANT OG I STAND TIL AT UDBARBEJDE DEN TEKNISKE DOKUMENTATION</p> <p>5. Henvisning til anvendte standarder</p> <p>6. DIREKTIV OM STØJEMMISSION FRA MASKINER TIL UENDØRS BRUG</p> <p>a) MÅLT LYEFFEKTNIVEAU b) GARANTERET LYEFFEKTNIVEAU c) STØJPARAMETER</p> <p>d) PROCEDURE FOR OVERENSSTEMMELSESVURDERING</p> <p>e) BEMYNDIGET ORGAN</p> <p>7. STED 8. DATO</p>	<p>Ελληνικά (Greek) ΕΚ-Δήλωση συμμόρφωσης</p> <p>1. Ο κάτωθι υπογεγραμμένος, *2, εκ μέρους του εξουσιοδοτημένου αντιπροσώπου με το παρών δηλώνω ότι το παρακάτω περιγραφόμενο όχημα πληροί όλες τις σχετικές προδιαγραφές του:</p> <ul style="list-style-type: none"> * Οδηγία 2006/42/ΕΚ για μηχανές * Οδηγία 2014/30/ΕΕ για την ηλεκτρομαγνητική συμβατότητα * Οδηγία 2000/14/ΕΚ - 2005/88/ΕΚ για το επίπεδο θορύβου σε εξωτερικούς χώρους. * Οδηγία 2011/65/ΕΕ - (ΕΕ) 2015/863 για τον περιορισμό της χρήσης ορισμένων επικίνδυνων ουσιών σε ηλεκτρικά και ηλεκτρονικά κατασκευασμένα <p>2. Περιγραφή μηχανήματος</p> <p>a) προϊόν : Ηλεκτοπαραγωγό ζεύγος b) Λειτουργία : για παραγωγή ηλεκτρικής ενέργειας c) Μοντέλο d) Τύπος e) Αριθμός σειράς παραγωγής</p> <p>3. Κατασκευαστής</p> <p>4. Εξουσιοδοτημένος αντιπρόσωπος και είναι σε θέση να καταρτίσει τον τεχνικό φάκελο</p> <p>5. Παραπομπή στα ισχύοντα πρότυπα</p> <p>6. Οδηγία επιπέδου θορύβου εξωτερικών χώρων</p> <p>a) Μετρηθείσα ηχητική ένταση b) Εγγυημένη ηχητική ένταση c) Ηχητική παράμετρος</p> <p>d) Διαδικασία πιστοποίησης e) Οργανισμός πιστοποίησης</p> <p>7. Η δοκιμή έγινε 8. Ημερομηνία</p>
<p>Svenska (Swedish) EG-försäkran om överensstämmelse</p> <p>1. Undertecknad, *2, på uppdrag av auktoriserad representant, deklarerar härmed att maskinen beskriven nedan fullgör alla relevanta bestämmelser enligt:</p> <ul style="list-style-type: none"> * Direktiv 2006/42/EG gällande maskiner * Direktiv 2014/30/UE gällande elektromagnetisk kompatibilitet * Direktiv 2000/14/EG - 2005/88/EG gällande buller i utomhus <p>2. Maskinbeskrivning</p> <p>a) Produkt : Elverk b) Funktion : producera el c) Modell d) Typ e) Serienummer</p> <p>3. Tillverkare</p> <p>4. Auktoriserad representant och ska kunna sammanställa teknisk dokumentationen</p> <p>5. Referens för tillämpad standard</p> <p>6. Direktiv för buller utomhus</p> <p>a) Uppmätt ljudnivå b) Garanterad ljudnivå c) Buller parameter</p> <p>d) Förfarande för bedömning</p> <p>e) Anmälda organ</p> <p>7. Utfärdat vid 8. Datum</p>	<p>Español (Spanish) Declaración de Conformidad CE</p> <p>1. El abajo firmante, *2, en representación del representante autorizado, adjunto declara que la máquina abajo descrita, cumple las cláusulas relevantes de:</p> <ul style="list-style-type: none"> * Directiva 2006/42/CE de maquinaria * Directiva 2014/30/UE de compatibilidad electromagnética * Directiva 2000/14/CE - 2005/88/CE de ruido exterior * Directiva 2011/65/UE - (UE) 2015/863 sobre restricciones a la utilización de determinadas sustancias peligrosas en aparatos eléctricos y electrónicos <p>2. Descripción de la máquina</p> <p>a) Producto : Generador b) Función : Producción de electricidad c) Modelo d) Tipo e) Número de serie</p> <p>3. Fabricante</p> <p>4. Representante autorizado que puede compilar el expediente técnico</p> <p>5. Referencia a normas aplicadas</p> <p>6. Directiva sobre ruido exterior</p> <p>a) Potencia sonora Medida b) Potencia sonora Garantizada c) Parámetros ruido</p> <p>d) Procedimiento evaluación conformidad</p> <p>e) Organismo notificado</p> <p>7. Realizado en 8. Fecha</p>	<p>Română (Romanian) CE -Declarație de Conformitate</p> <p>1. Subsemnatul *2, în numele reprezentantului autorizat, declar prin prezenta faptul ca echipamentul descris mai jos îndeplinește toate condițiile necesare din:</p> <ul style="list-style-type: none"> * Directiva 2006/42/CE privind echipamentul * Directiva 2014/30/UE privind compatibilitatea electromagnetica * Directiva 2000/14/CE - 2005/88/CE privind poluarea fonica în spațiu deschis * Directiva 2011/65/UE - (UE) 2015/863 privind restricțiile de utilizare a anumitor substanțe periculoase în echipamentele electrice și electronice <p>2. Descrierea echipamentului</p> <p>a) Produsul : Motogenerator electric b) Domeniul de utilizare : generarea energiei electrice c) Model d) Tip e) Serie produs</p> <p>3. Producător</p> <p>4. Reprezentant autorizat și abilitat să realizeze documentație tehnică</p> <p>5. Referință la standardele aplicate</p> <p>6. Directiva privind poluarea fonica în spațiu închis</p> <p>a) Puterea acustică măsurată b) Puterea acustică maximă garantată c) Indice putere fonica d) Procedura de evaluare a conformității</p> <p>e) Notificari</p> <p>7. Emisa la 8. Data</p>

<p>Português (Portuguese) Declaração CE de Conformidade 1. O abaixo assinado, "2, declara deste modo, em nome do mandatário, que o máquina abaixo descrito cumpre todas as estipulações relevantes da:</p> <ul style="list-style-type: none"> * Directiva 2006/42/CE de máquina * Directiva 2014/30/UE de compatibilidade electromagnética * Directiva 2000/14/CE - 2005/88/CE de ruído exterior * Directiva 2011/65/UE - (UE) 2015/863 relativa à restrição do uso de determinadas substâncias perigosas em equipamentos eléctricos e electrónicos <p>2. Descrição da máquina a) Produto : Gerador b) Função : produção de energia eléctrica c) Modelo d) Tipo e) Número de série 3. Fabricante 4. Mandatário com capacidade para compilar documentação técnica 5. Referência às normas aplicadas 6. Directiva de ruído exterior a) Potência sonora mediada b) Potência sonora garantida c) Parametro de ruído d) Procedimento de avaliação da conformidade e) Organismo notificado 7. Feito em 8. Data</p>	<p>Polski (Polish) Deklaracja zgodności WE 1. Nizej podpisany, "2, w imieniu upoważnionego przedstawiciela, niniejszym deklaruje, że urządzenie opisane poniżej spełnia wszystkie odpowiednie postanowienia: * Dyrektywa Maszynowa 2006/42/WE * Dyrektywa Kompatybilności Elektromagnetycznej 2014/30/UE * Dyrektywa Hałasowa 2000/14/WE - 2005/88/WE * Dyrektywy 2011/65/UE - (UE) 2015/863 w sprawie ograniczenia stosowania niektórych niebezpiecznych substancji w sprzęcie elektrycznym i elektronicznym</p> <p>2. Opis urządzenia a) Produkt : Agregat prądowzręczny b) Funkcja : produkcja energii elektrycznej c) Model d) Typ e) Numery seryjne 3. Producent 4. Upoważniony Przedstawiciel oraz osoba upoważniona do przygotowania dokumentacji technicznej 5. Odniesienie do zastosowanych norm 6. Dyrektywa Hałasowa a) Zmierzony poziom mocy akustycznej b) Gwarantowany poziom mocy akustycznej c) Wartość hałasu d) Procedura oceny zgodności e) Jednostka notyfikowana 7. Miejsce 8. Data</p>	<p>Suomi / Suomen kieli (Finnish) EY-VAATIMUSTENMUKAISUUSVAKUUTUS 1. Allekirjoittanut, "2 valuttanut valmistajan edustajana, vakuuttaa täten että alla mainittu kone/tuote täyttää kaikki seuraavia määräyksiä: * Konedirektiivi 2006/42/EY * Direktiivi 2014/30/EU sähkömagneettinen yhteensopivuus * Direktiivi 2000/14/EY - 2005/88/EY ympäristön melu * Direktiivi 2011/65/EU - (EU) 2015/863 tiettyjen vaarallisten aineiden käytön rajoittamisesta sähkö- ja elektroniikkalaitteissa</p> <p>2. TUOTTEEN KUVAUS a) Tuote : Aggregaattit b) Toiminto : sähkön tuottaminen c) Malli d) TYYPPI e) SARJANUMERO 3. VALMISTAJA 4. Valmistajan edustajana ja tekniestin dokumenttien laatija 5. Viitattu sovellettiin standardien 6. Ympäristön meludirektiivi a) Mittauksen menetelmä b) Todenmukainen melutaso c) Melu parametrit d) Yhdenmuksuisuuden arvioinnin menetelmä e) Tiedonantoaika 7. TEHTY 8. PÄIVÄMÄÄRÄ</p>
<p>Magyar (Hungarian) EK-megfelelőségi nyilatkozata 1. Alulírott "2, a gyártó cég törvényes képviselőjeként nyilatkozom, hogy az általam gyártott gép megfelel az összes, alább felsorolt direktívának: * 2006/42/EK Direktívának berendezésekre * 2014/30/EU Direktívának elektromágneses megfelelésre * 2000/14/EK - 2005/88/EK Direktívának kültéri zajszintre * Tanács 2011/65/EU - (EU) 2015/863 egyes veszélyes anyagok elektromos és elektronikus berendezésekből való alkalmazásának korlátozásáról</p> <p>2. A gép leírása a) Termék : Áramfejlesztő b) Funkció : elektromos áram előállítás c) Modell d) Típus e) Sorozatszám 3. Gyártó 4. Meghatalmazott képviselője és képes összeállítani a műszaki dokumentációt 5. Referencia az alkalmazott szabványokhoz 6. Kültéri zajszint Direktíva a) Mért hangerő b) Szavatolt hangerő c) Zajszint paraméter d) Megfelelőségi becslési eljárás e) Kijelölt szervezet 7. Keltetés helye 8. Keltetés ideje</p>	<p>Cestina (Czech) ES – Prohlášení o shodě 1. Podepsáný "2, jako autorizovaná osoba zde potvrzuje, že stroj popsaný níže splňuje požadavky příslušných opatření: * Směrnice 2006/42/ES pro strojí zařízení * Směrnice 2014/30/EU stanovující technické požadavky na výrobky z hlediska elektromagnetické kompatibility * Směrnice 2000/14/ES - 2005/88/ES stanovující technické požadavky na výrobky z hlediska emisí hluku zařízení pro venkovní použití * Rady 2011/65/EU - (EU) 2015/863 o omezení používání některých nebezpečných látek v elektrických a elektronických zařízeních</p> <p>2. Popis zařízení a) Výrobek : Elektrocentrála b) Funkce : Výroba elektrické energie c) Model d) Typ e) Výrobní číslo 3. Výrobce 4. Způsobilý zástupce a osoba pověřená komplectací technické dokumentace 5. Odkaz na platné standardy 6. Směrnice pro hluk pro venkovní použití a) Naměřený akustický výkon b) Garantovaný akustický výkon c) Parametr hluku d) Způsob posouzení shody e) Notifikovaná osoba 7. Podepsáno v 8. Datum</p>	<p>Latviešu (Latvian) EK atbilstības deklarācija 1. "2 ar savu parakstu zem šīs dokumenta, autorizēta pārstāvja vārdā, paziņo, ka zemāk aprakstītā mašīna, atbilst visām zemāk norādīto direktīvu prasībām: * Direktīva 2006/42/EK par mašīnām * Direktīva 2014/30/ES attiecībā uz elektromagnētisko savietojamību * Direktīva 2000/14/EK - 2005/88/EK par trokšņa emisiju viedē * Direktīva 2011/65/ES - (ES) 2015/863 par dažu bīstamu vielu izmantošanas ierobežošanu elektriskās un elektroniskās iekārtās</p> <p>2. Iekārtas apraksts a) Produkts : Generators iekārta b) Funkcija : elektriskās strāvas ražošana c) Modelis d) Tips e) Sērijas numurs 3. Ražotājs 4. Autorizētais pārstāvis, kas spēj sastādīt tehnisko dokumentāciju 5. Atsaucē uz piemērotajiem standartiem 6. Ārējo trokšņu Direktīva a) Izmērītā trokšņa līelums b) Pieļaujamais trokšņa līelums c) Trokšņa parametri d) Atbilstības vērtējuma procedūra e) Informētā iestāde 7. Vieta 8. Datums</p>
<p>Slovenčina (Slovak) ES vyhlásenie o zhode 1. Dolepísaný "2, ako autorizovaný zástupca výrobcu, týmto vyhlasuje, že uvedený stroj/je v zhode s nasledovnými smernicami: * Smernica 2006/42/ES (Strojné zariadenia) * Smernica 2014/30/EU (Elektromagnetická kompatibilita) * Smernica 2000/14/ES - 2005/88/ES (Emisie hluku) * Rady 2011/65/EU - (EU) 2015/863 o obmedzení používania určitých nebezpečných látok v elektrických a elektronických zariadeniach</p> <p>2. Popis stroja a) Produkt : Elektrocentrála b) Funkcia : Výroba elektrického napätia c) Model d) Typ e) Výrobné číslo 3. Výrobca 4. Autorizovaný zástupca schopný zostaviť technickú dokumentáciu 5. Referencia na použité normy 6. Smernica pre emisie hluku vo vonnom priestranstve a) Nameraná hladina akustického výkonu b) Zaručená hladina akustického výkonu c) Rozmer d) Procedúra posudzovania zhody e) Notifikovaná osoba 7. Miesto 8. Datum</p>	<p>Eesti (Estonian) EU vastavusdeklaratsioon 1. Käesolevaga kinnitab allakirjutanu, "2, volitatud esindaja nimel, et allpool kirjeldatud masina vastab kõikidele alljärgnevale direktiivide sätetele: * Masinate direktiiv 2006/42/EÜ * Elektromagnetilise ühilduvuse direktiiv 2014/30/EÜ * Välistõrja direktiiv 2000/14/EÜ - 2005/88/EÜ * Direktiiv 2011/65/EÜ - (EU) 2015/863 teatavate ohtlike ainetega kasutamise piiramise kohta elektril- ja elektroonikaseadmetes</p> <p>2. Seadmete kirjeldus a) Toode : Generaator b) Funktsioon : elektrienergia tootmine c) Mudel d) Tüüp e) Seerianumber 3. Tootja 4. Volitatud esindaja, kes on pädev täitma tehnilist dokumentatsiooni 5. Viide kohaldatavale standarditele 6. Välistõrja direktiiv a) Mõõdetud helivõimsuse tase b) Lubatud helivõimsuse tase c) Mõõde parameeter d) Vastavushindamismenetlus e) Teavitatud asutus 7. Koht 8. Kuupäev</p>	<p>Slovensčina (Slovenian) ES izjava o skladnosti 1. Spodaj podpisani, "2, ki je pooblaščen oseba in v imenu proizvajalca izjavlja, da spodaj opisana stroj ustreza vsem navedenim direktivam: * Direktiva 2006/42/ES o strojih * Direktiva 2014/30/EU o elektromagnetni združljivosti * Direktiva 2000/14/ES - 2005/88/ES o hrupnosti * Direktiva 2011/65/EU - (EU) 2015/863 o omejevanju uporabe nekaterih nevarnih snovi v električni in elektronski opremi</p> <p>2. Opis naprave a) Proizvod : Agregat za proizvodnjo el. energije b) Funkcija : proizvodnja električne energije c) Model d) Tip e) Serijska številka 3. Proizvajalec 4. Pooblaščen predstavnik ki lahko predloži tehnično dokumentacijo 5. Sklic na uporabljen standard 6. Direktiva o hrupnosti a) Izmerjena zvočna moč b) Garancirana zvočna moč c) Parametar d) Postopek e) Postopek opravi 7. Kraj 8. Datum</p>

<p>Lietuvių kalba (Lithuanian) EB atitikties deklaracija 1. Įgaliotojo atstovo vardu pasirašęs *2 patvirtina, kad žemiau aprašyta mašina atitinka visas išvardintų direktyvų nuostatas: * Mechanizmų direktyva 2006/42/EB * Elektromagnetinio suderinamumo direktyva 2014/30/ES * Triukšmo lauke direktyva 2000/14/EB - 2005/88/EB * Direktyva 2011/65/ES - (ES) 2015/863 dėl tam tikrų pavojingų medžiagų naudojimo elektros ir elektroninėje įrangoje apribojimo 2. Prietaiso aprašymas a) Gaminy : Generatorius b) Funkcija : elektros energijos gaminimas c) Modelis d) Tipas e) Serijos numeris 3. Gamintojas 4. Įgaliotasis atstovas ir galintis sudaryti techninę dokumentaciją 5. Nuoroda į taikytus standartus 6. Triukšmo lauke direktyva a) Išmatuotas garso galimumo lygis b) Garantuojamas garso galimumo lygis c) Triukšmo parametras d) Tipas e) Registruota įstaiga 7. Vieta 8. Data</p>	<p>Български (Bulgarian) ЕО декларация за съответствие 1. Долоподписаният *2, от името на упълномощения представител, с настоящата декларирам, че машините, описани по-долу, отговарят на всички съответни разпоредби на: * Директива 2006/42/ЕО относно машините * Директива 2014/30/ЕО относно електромагнитната съвместимост * Директива 2000/14/ЕО - 2005/88/ЕО относно шумовите емисии на съоръжения, предназначени за употреба извън сградите * Директива 2011/65/ЕО - (ЕО) 2015/863 година относно ограничението за употребата на определени опасни вещества в електрическото и електронното оборудване 2. Описание на машините a) Продукт : Генераторен комплект b) Функция : производство на електроенергия c) Модел d) Тип e) Серийен номер 3. Производител 4. Упълномощен представител и отговорник за съставяне на техническа документация 5. Препратка към приложените стандарти 6. Директива относно шумовите емисии на съоръжения, предназначени за употреба извън сградите a) Измерена звукова мощност b) Гарантирана звукова мощност c) Параметърът шум d) Процедурата за оценка на съответствието e) Нотифициран орган 7. Място на изготвяне 8. Дата на изготвяне</p>	<p>Norsk (Norwegian) EF: Samsvarserklæring 1.Undertegnede *2 på vegne av autorisert representant herved erklærer at maskineri beskrevet nederfor innfrir relevant informasjon fra følgende forskrifter. * Maskindirektiv 2006/42/EF * Direktiv EMC: 2014/30/EU Elektromagnetisk kompatibilitet * Direktiv om støy utendørs 2000/14/EF - 2005/88/EF * Direktiv 2011/65/EU - (EU) 2015/863 om restriksjoner av bruk av visse farlige materialer i elektrisk og elektronisk utstyr.. 2. Beskrivelse av produkt a) Produkt : Generator b) Funksjon : Produsere strøm c) Model d) Type e) Serienummer 3. Produsent 4. Autorisert representant og i stand til å utarbeide den tekniske dokumentasjonen 5. Henvisning til brukte standarder 6. Utendørs direktiv får støy a) Målt støy b) Maks støy c) Konstant støy d) Verdi vurderings prosedyre e) Gjeldene kjøretøy/kropp/stamme/skrog 7. Stead 8. Dato</p>
<p>Türk (Turkish) AT Uygunluk Beyanı 1. Aşağıda imzası bulunan *2, yetkili temsilci adına, bu yazıyla birlikte aşağıdaki makine ile ilgili tüm hükümlülüklerin yerine getirildiğini beyan etmektedir: * Makina Emniyet Yönetmeliği 2006/42/AT * Elektromanyetik Uyumluluk Yönetmeliği 2014/30/AB * Açık Alanda Kullanılan Tehizat Tarafından Oluşturulan Çevresel Gürültü Emisyonu ile İlgili Yönetmelik 2000/14/AT/2005/88/AT * 2011/65/AB - (AB) 2015/863 elektrikli ve elektronik ekipmanlarda bazı tehlikeli maddelerin kullanımının yasaklanmasına ilişkin yönetmelik 2. Makinanın tanıtı a) Ürün : Jeneratör grubu b) İşlevi : Elektrik gücü üretimi c) Model d) Tipi e) Seri numarasi 3. İmalatçı 4. Teknik dosyayı hazırlamakla yetkili olan Toplulukta yerleşik yetkili temsilci 5. Uygulanan standartlara istinaden 6. Açık alan gürültü Yönetmeliği a) Ölçülen ses gücü b) Garant edilmiş ses gücü c) Gürültü parametresi d) Uygunluk değerlendirme prosedürü e) Onaylanmış kuruluş 7. Beyanın yeri : 8. Beyanın tarihi :</p>	<p>Islandska (Icelandic) EB-Samsvarisráfýrýsing 1. Undirritaður *2 staðfestir hér með fyrir hönd löggiltra aðila að upplýsingar um vélbúnað hér að neðan eru tæmandi hvað varðar alla tilheyrandi málaflökka, svo sem * Leiðbeiningar fyrir vélbúnað 2006/42/EB * Leiðbeiningar fyrir rafsegulsvið 2014/30/EU * Leiðbeiningar um hávaðamengun 2000/14/EB-2005/88/EB * Tilskipun 2011/65/EU - (EU) 2015/863 varðandi leiðbeiningar um notkun á hættulegum efnum í raf og rafendla búnaði 2. Lýsing á vélbúnaði a) Ökutækni : Rafstöðvar b) Virkni : Framleiðsla á rafmagni c) Gerð d) Tegund e) Séríal númer 3. Framleiðandi 4. Löggildir aðilar og fær um að taka saman tækniskjölín 5. Tilvísun til viðeigandi staðla 6. Leiðbeiningar um hávaðamengun a) Mældur hávaða styrkur b) Staðfestur hávaða styrkur c) Hávaða breytileiki d) Staðfesting á gæðastöðlum e) Merkingar 7. Gert hjá 8. Dagsetning</p>	<p>Hrvatski (Croatian) EK Izjava o sukladnosti 1. Potpisani *2, u ime ovlaštenog predstavnika, ovime izjavljuju da strojevi navedeni u nastavku ispunjavaju sve važne odredbe: * Propisa za strojeve 2006/42/EK * Propisa o elektromagnetskoj kompatibilnosti 2014/30/EU * Propisa o buci na otvorenome 2000/14/EK-2005/88/EK * Direktiva 2011/65/EU - (EU) 2015/863 o ograničenju određenih opasnih supstanci u električnoj i elektronskoj opremi.. 2. Opis strojeva a) Proizvod : Agregat b) Funkcionalnost : proizvodni električnu energiju c) Model d) Tip e) Serijski broj 3. Proizvođač 4. Ovlašteni predstavnik i osoba za sastavljanje tehničke dokumentacije 5. Referencija na primijenjene standarde 6. Propis o buci na otvorenome a) Izmjerena jačina zvuka b) Zajamčena jačina zvuka c) Parametar buke d) Postupak za ocjenu sukladnosti e) Obaviješteno tijelo 7. U 8. Datum</p>

HONDA

36Z44604
00X36-Z44-6040



© Honda Motor Co., Ltd. 2019



Printed in Thailand