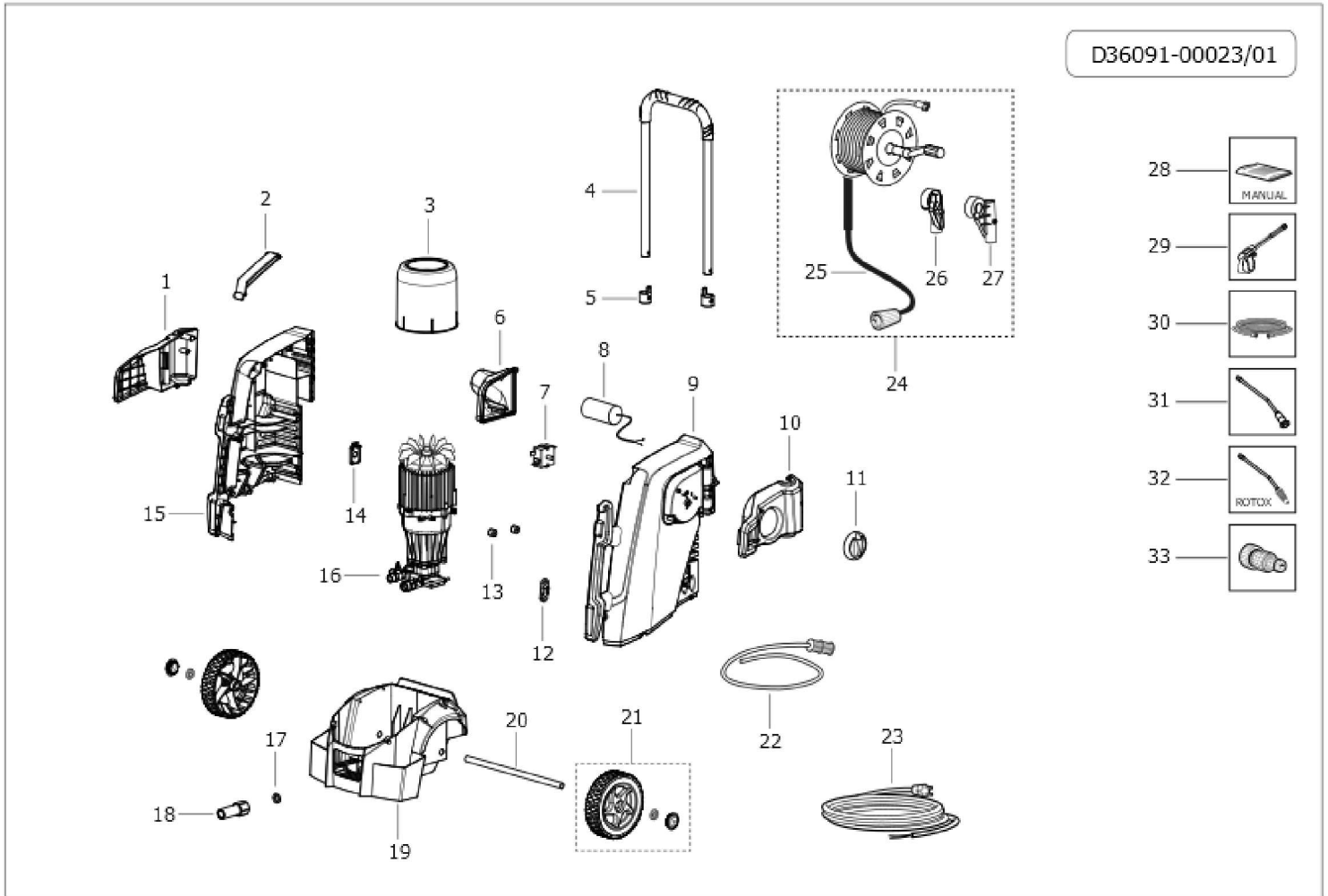


**36091-00023: KLX 1900 GOLD EXTRA 230/50 -GR- TS SP.SCHUKO COMET C/AVV.**

Validity date: 09/03/2026



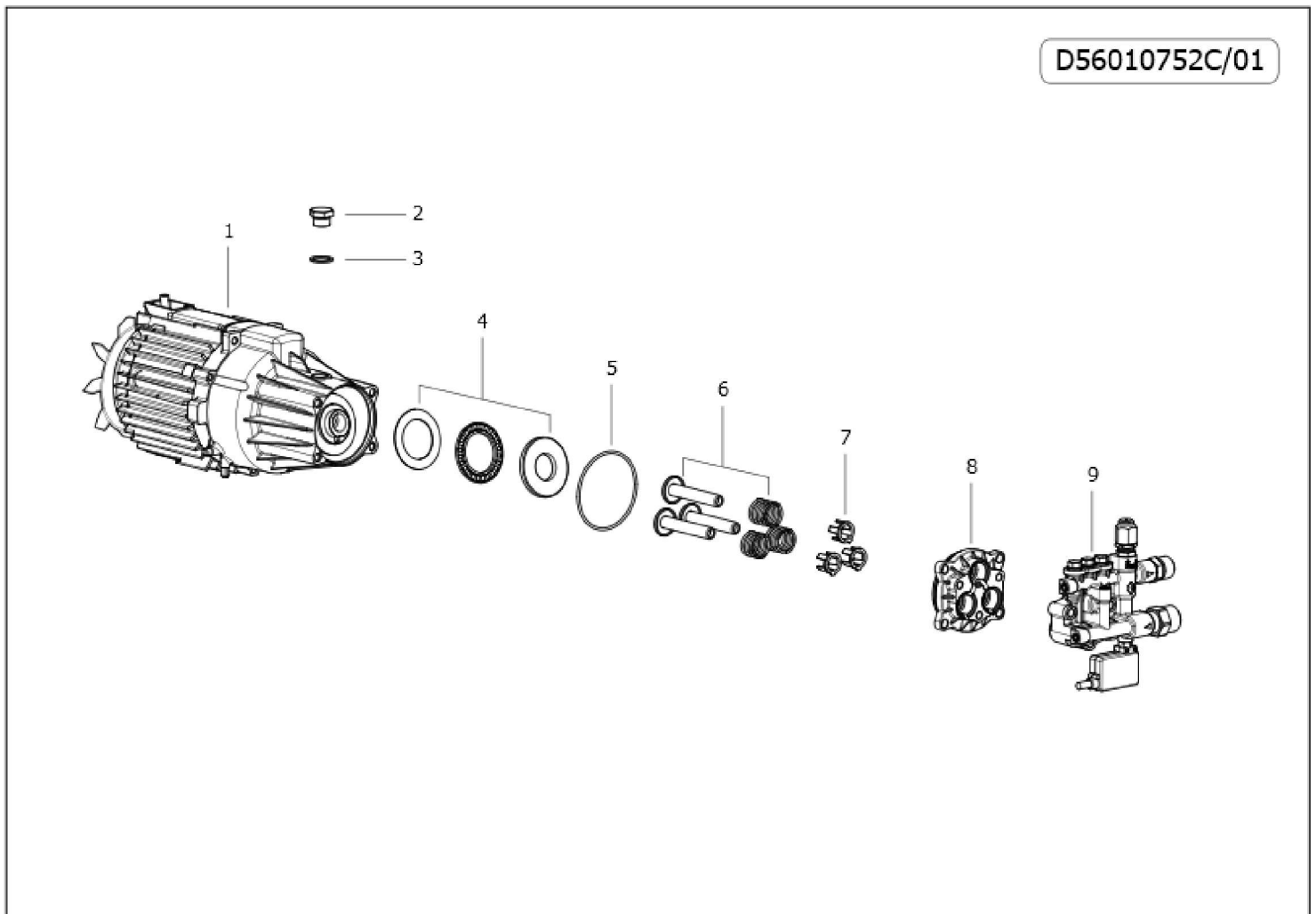
Pos.	Legacy Code	Code	Description	Quantity
1		00022-02563	SUPPORTO LATERALE SX MAINE -GR.SC.- RAL.7021	1
2		00046-00265	GANCIO DI CHIUSURA MAINE -AR- RAL.2004	1
3		00032-00308	BLACK LONG CONVEYOR FOR D.125 MOTOR	1
4		00026-02254	MANICO PER MAINE -GR.SC.- RAL.7021	1
5		00008-01473	TAPPO PER MANICO MAINE -GR.SC.- RAL.7021	2
6		00039-01387	COPERCHIO SCATOLA ELETTRICA	1
7		00057-02222	INTERRUTTORE ROTAT. BIPOLARE 16(16)A (0-1) C/PERNO L=15	1
8	0434034800	00058-01380	CONDENSATORE 65MF 450V D.50X120	1
9		00042-04579	CAREN. DX MAINE -GR.SC.- RAL.7021	1
10		00022-02562	SUPPORTO LATERALE DX MAINE -GR.SC.- RAL.7021	1
11		00026-02253	MANOPOLA X INT.ROTATIVO WINDY -AR- RAL.2004 P82.0487	1
12	2434008300	00057-02062	FERMACAVO PARETE FISSA	1
13		00035-00946	TAMPONE DI SUPPORTO EPDM 70SH	2
14		00039-00976	COPERCHIO USCITA CAVI MOTORE ELETTR. NERO	1
15		00042-04580	CAREN. SX MAINE -GR.SC.- RAL.7021	1
16		34006-00642	MTP.OMNIA '15 D.12 230/50 2P 128h110 13gr. C/TS IN.1,8	1
17	1201033300	00005-01657	GASKET FOR M22 EXTENSION FOR 020561	1
18	2417012100	00009-03325	EXTENSION M22F-M22M (MAINE)	1
19		00042-04581	CAREN. INF. MAINE -GR.SC.- RAL.7021	1
20		00071-03108	AXLE FOR MAINE	1
21		10001-13913	KIT RUOTA+FERMO+BORCHIA -A- RAL.2004 (KLX)	2



Pos.	Legacy Code	Code	Description	Quantity
22		10002-12577	ASS.DETERGENT SUCTION FILTER HOSE L=170mm	1
23	0456057200	00058-02024	CAVO H05VV-F 3X1,5 MT.5,4 SP.SCHUKO ANTISP.F/F+COPRIFASTON	1
24		10001-12876	KIT AVV. X MAINE C/TUBO DA 10MT	1
25		00080-04947	HOSE H.P. R1 1/4 23MPa L=700 FOR HOSE REEL - M22x1,5 90DEG	1
26		00071-05575	SUPPORTO DESTRO AVVOLGITUBO NERO	1
27		00071-05574	LEFT SUPPORT FOR HOSE REEL	1
28		22001-07131	MANUALE MAINE/HYPER M (SENZA CE)	1
29	2410030300	00080-02541	GUN BIT105 3000psi W/CONNECTIONS M22X1,5M - M22X1,5F-USA	1
30		00080-02389	TUBO 1/4 R1 23MPA 10M RACC.M22-14/M22-15 C/MANICH.BLU	1
31		00080-02804	LANCIA L=540 INCLINATA S/COPERTURA A/B M22 -030- GIALLO	1
32		00080-02982	LANCIA INCLINATA L=500 M22 ROTOX 035	1
33	1002028500	00009-02402	INN.RAP.3/4 TRASP.+GUARN.+FIL	1

**34006-00642: MTP.OMNIA '15 D.12 230/50 2P 128h110 13gr. C/TS IN.1,8**

Validity date: 09/03/2026

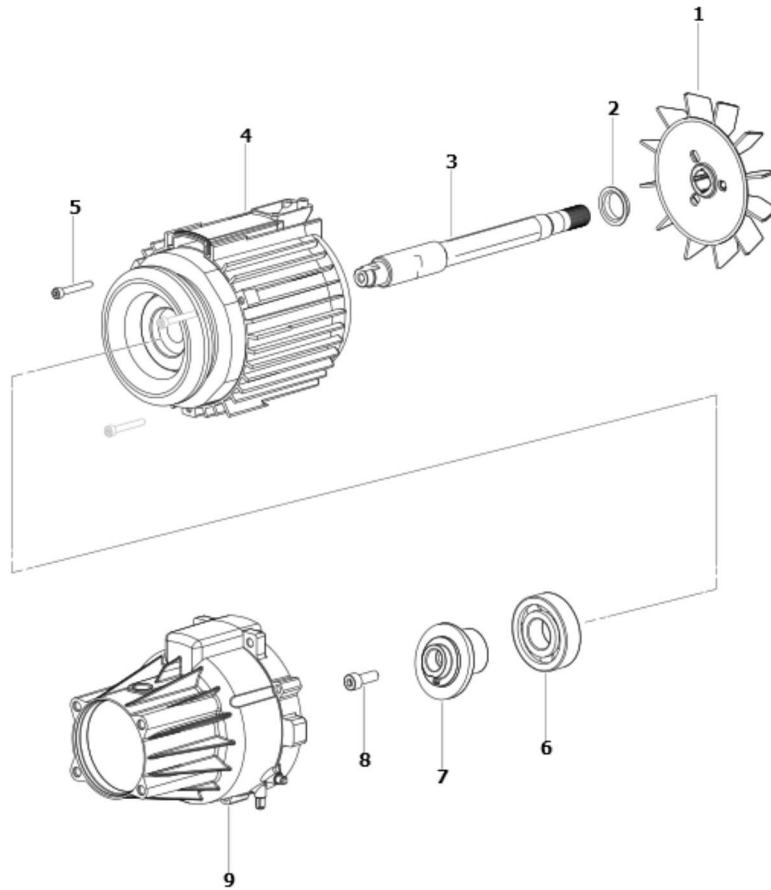


D56010752C/01

Pos.	Legacy Code	Code	Description	Quantity
1		00059-01071	MOTOR ASSEMBLY D.128 H110 230/50 2P + WOBBLE PLATE 13DEG	1
2	3200027500	00008-01188	G3/8 CAP	1
3	1209009100	00005-00314	GU NOR 3/8" RAME	1
4	2830017900	10001-08941	KIT 312 LW THRUST SHOE + THRUST RING	1
5	1210087400	00005-02358	GUARNIZIONE OR 70X2,50 NBR SH.75-80	1
6	2409035200	10001-09089	KIT PISTONS + SPRINGS	1
7		00035-00842	DISTANZIALE TENUTA OLIO (0601080400)	3
8		10002-14468	BODY GUIDE THERMIC 2015 W/OIL SEAL RINGS	1
9		10002-15969	TEST.OMNIA'15 OTT.DIST.ALT.TS-IN.1,8-USC.M22-INGR.3/4 (CXD)	1

**00059-01071: MOTOR ASSEMBLY D.128 H110 230/50 2P + WOBBLE PLATE 13DEG**

Validity date: 09/03/2026

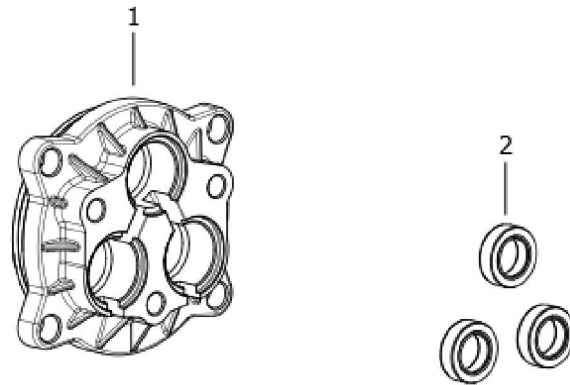


Pos.	Legacy Code	Code	Description	Quantity
1	3632005400	00031-00158	VENTOLA FB80 CON FORO D.16,5( PARTNER)	1
2		00001-01093	ANELLO DI FERMO DIAM.23 PER VENTOLA	1
3		00033-00331	ROTOR D.65 H110 FOR OMNIA 14	1
4		10002-08272	CARCASSA LWM 230/50 2P D.128 H.110(FILI LUNGHI)	1
5		00049-01109	VITE TCEI M5X35 TRILOBATA ZNT	3
6	0438016800	00045-00406	RADIAL SPHERE BEARING 25X62X17	1
7	0001109200	00067-00274	WOBBLE PLATE 13GR (OMNIA 15)	1
8	3609005800	00049-00308	SCREW M 8X 22 UNI5931-8.8	1
9		00022-02334	FLANGIA ANTERIORE X OMNIA'15 D.128H110 C/FILETTI	1

**10002-14468: BODY GUIDE THERMIC 2015 W/OIL SEAL RINGS**

Validity date: 09/03/2026

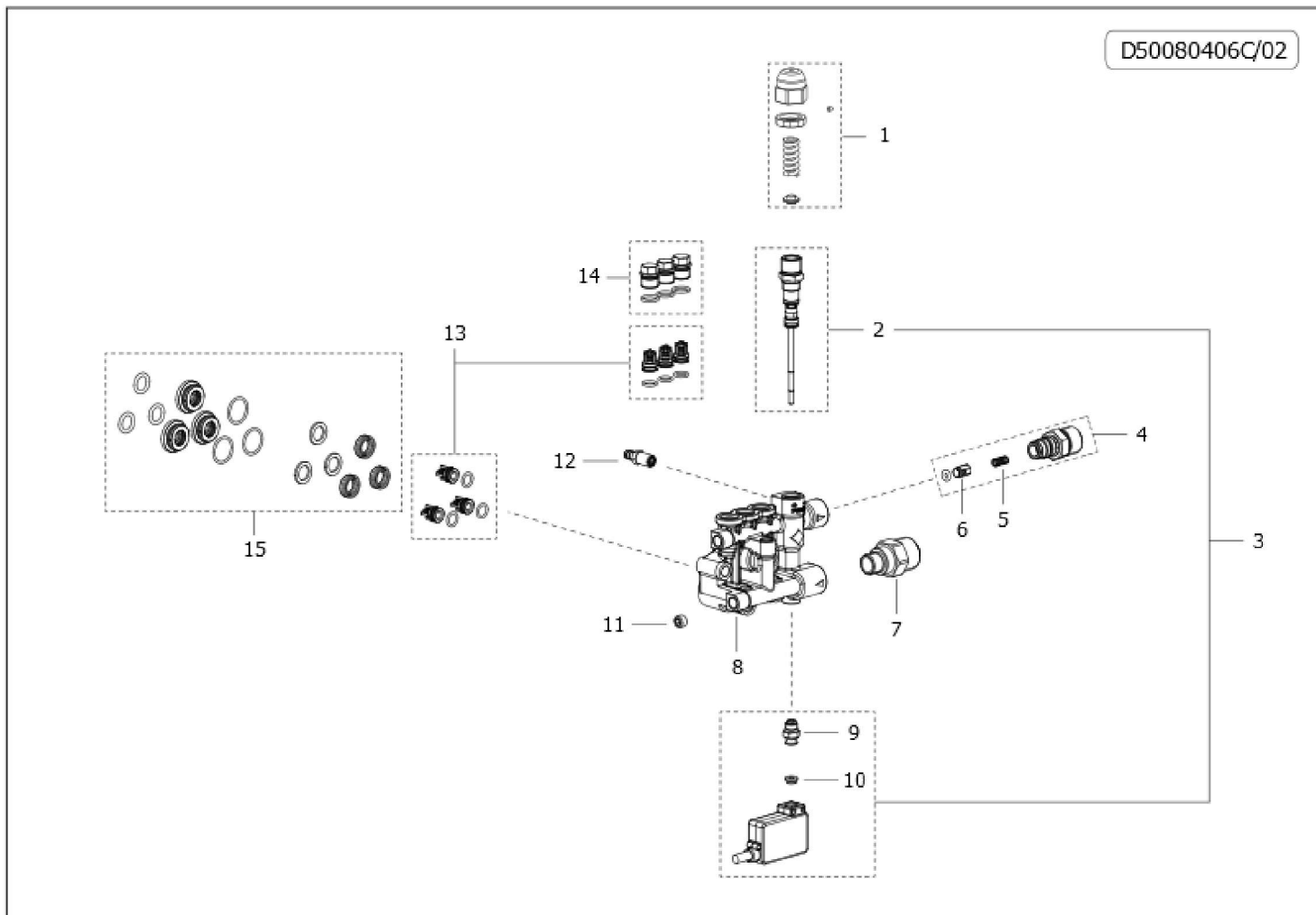
D56090418/01



Pos.	Legacy Code	Code	Description	Quantity
1		00040-01378	C.GUIDA PISTONI D.12 X DIST.TENUTA ALTI THERMIC 2015	1
2	0019021100	10001-10062	KIT OIL SEALS INDEPENDENT 2800	1

**10002-15969: TEST.OMNIA'15 OTT.DIST.ALT. TS-IN.1,8-USC.M22-INGR.3/4 (CXD)**

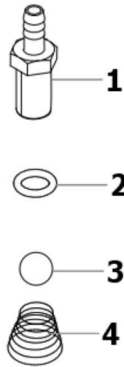
Validity date: 09/03/2026



Pos.	Legacy Code	Code	Description	Quantity
1	3300025200	10001-08935	PRESSURE REGULATOR KIT FOR TPBH '10 HEAD	1
2		10001-11597	REGULATOR JOINT COMPLETE KIT	1
3		10001-11606	KIT BY PASS (OMNIA'15) C/TS	1
4	2830018000	10001-09142	KIT INJECTOR D.1.8	1
5	1802039400	00030-00739	SPRING FOR NON RETURN VALVE (TPBH)	1
6	1215071400	10002-08419	ASSIEME VALVOLA DI RITEGNO	1
7	2803353900	00009-02917	INLET CONNECTION 3/4M-3/8M (TH.6.5)	1
8	3218055600	00027-00752	HEAD PISTONS D.12 FOR SEAL H.5 STOPPER M14x1 (THERMIC)	1
9	2803354500	10002-08437	ASSEMBLY CONNECTOR 1/8 G + CAP M7 TS	1
10	1201033400	00008-01215	CAP FOR MICRO	1
11	3202046200	00008-00986	TAPPO 1/8 GAS CONICO L=6,5	3
12	2800054600	10002-08493	HOSE HOLDER DETERGENT SUCTION KIT D.2,5 W/OR+SPRING	1
13		10001-13793	KIT VALVOLE+OR TESTATA CXD	1
14	3202046100	10001-09106	KIT 3 PT'03 DELIVERY VALV.CAPS WITH O-RING (aluminium)	1
15	5019077600	10001-09131	KIT TENUTE ACQUA TH.2015(TEST.OTT.)	1

**10002-08493: HOSE HOLDER DETERGENT SUCTION KIT D.2,5 W/OR+SPRING**

Validity date: 09/03/2026



Pos.	Legacy Code	Code	Description	Quantity
1		00009-02657	HOSE HOLDER INJECTOR D.2,5 WITH HOUSING FOR SPRING	1
2		00005-01205	GUARNIZIONE OR 3,69X1,78 NBR SH.70 RIF.2015	1
3	3003003400	00017-00046	SFERA D.5 INOX 420(GRADO DI PRECISIONE G 500)	1
4		00030-00565	MOLLA VALV. RITEGNO DETERGENTE	1