



MAXFLOW

PRODUCT CATALOGUE

Pressure Washers | Generators | Welders
Pumps | Accessories | Parts

ISSUE 1
2022

Contact us to find your nearest
MAXFLOW dealer

Email: sales@maxflow.co.uk
Website: www.maxflow.co.uk
Phone: 028 8676 1696
048 8676 1696





Nozzle Chart

1 Gallon = 4.54 litres 1 bar = 14.5 psi

Pressure In Bar

Nozzle Size	50	80	100	120	140	150	160	180	200	220	240	260	280	300	350	400	450	500
02	3.2	4	4.5	4.9	5.3	5.5	5.7	6	6.3	6.6	6.9	7.2	7.5	7.7	8.4	8.9	9.5	10
025	4	5	5.6	6.1	6.6	6.8	7.1	7.5	7.9	8.3	8.7	9	9.4	9.7	10.5	11.2	11.9	12.5
03	4.7	6	6.7	7.3	7.9	8.2	8.5	9	9.6	9.9	10.4	10.6	11.2	11.6	12.6	13.4	14.2	15
04	6.3	8	8.9	9.8	10.6	11	11.3	12	12.6	13.3	13.9	14.4	15	15.5	16.7	17.9	19	20
045	7.1	9	10.1	11	11.9	12.3	12.7	13.5	14.2	14.9	15.6	16.2	16.8	17.4	18.8	20.1	21.3	22.5
05	7.9	10	11.2	12.2	13.2	13.7	14.1	15	15.8	16.6	17.3	18	18.7	19.4	20.9	22.4	23.7	25
055	8.7	11	12.3	13.5	14.6	15.1	15.6	16.5	17.4	18.2	19.1	19.8	20.6	21.3	23	24.6	26.1	27.5
06	9.5	12	13.4	14.7	15.9	16.4	17	18	19	19.9	20.8	21.6	22.4	23.2	25.1	26.8	28.6	30
065	10.3	13	14.5	15.9	17.2	17.8	18.4	19.5	20.6	21.6	22.5	23.4	24.3	25.2	27.2	29.1	30.8	32.5
07	11.1	14	15.7	17.1	18.5	19.2	19.8	21	22.1	23.2	24.2	25.2	26.2	27.1	29.3	31.3	33.2	35
075	11.9	15	16.8	18.4	19.8	20.5	21.2	22.5	23.7	24.9	26	27	28.1	29	31.4	33.5	35.6	37.6
08	12.8	16	17.9	19.6	21.2	21.9	22.6	24	25.3	26.5	27.7	28.8	29.9	31	33.5	35.8	37.5	40
085	13.4	17	19	20.8	22.5	23.3	24	25.5	26.9	28.2	29.4	30.6	31.8	32.9	35.6	38	40.3	42.5
09	14.2	18	20.1	22	23.8	24.6	25.5	27	28.5	29.8	31.2	32.4	33.7	34.9	37.6	40.2	42.7	45
10	15.8	20	22.4	24.5	25.5	27.4	28.3	30	31.6	33.2	34.6	36.1	37.4	38.7	41.8	44.7	47.4	50
11	17.4	22	24.6	26.9	29.1	30.1	31.1	33	34.8	36.5	38.1	39.7	41.2	42.6	46	49.2	52.2	55
12	19	24	26.5	29.4	31.7	32.9	33.9	36	37.9	39.8	41.6	43.3	44.9	46.5	50.2	53.7	58.9	60
13	20.6	26	29.1	31.8	34.4	35.6	36.8	39	41.1	43.1	46	46.9	48.6	50.3	54.4	58.1	61.7	65
14	22.1	28	31.3	34.3	37	38.3	39.6	42	44.3	46.4	48.5	50.5	52.4	54.2	58.6	62.6	66.4	70
15	23.7	30	33.5	36.7	39.7	41.1	42.4	45	47.4	49.7	52	54.1	56.1	58.1	62.7	67.7	71.2	75
16	25.3	32	35.8	39.2	42.3	43.8	45.3	48	50.6	53.1	55.4	57.7	59.9	62	66.9	72	75.9	80
18	28.5	36	40.2	44.1	47.6	49.3	50.9	54	56.9	59.7	62.4	64.9	67.3	69.7	75.3	80.5	85.4	90
20	31.6	40	44.7	49	52.9	54.8	56.6	60	63.2	66.3	69.3	72.1	74.8	77.5	83.7	89.4	94.9	100
25	39.5	50	55.9	61.2	66.1	68.5	70.7	75	79.1	82.9	86.5	90.1	93.5	96.6	105	112	119	125
30	47.4	60	67.1	73.5	79.4	82.2	84.9	90	94.9	99.5	104	106	112	116	125	134	142	150
35	55.3	70	78.3	85.7	92.6	95.9	99	105	111	116	121	126	131	136	146	157	165	175
40	63.2	80	89.4	95	106	110	113	120	126	133	139	144	150	155	167	179	190	200

Litres / min

Example : For a pump rated at 180 bar, 21 litres / min use an 07 Jet

INTRODUCTION



Welcome to Maxflow

Here at Maxflow we specialise in the manufacturing of domestic, semi-industrial and industrial cleaning appliances.

With over 25 years industry experience our specialist advisors can provide a tailored service to meet individual clients needs and advise the appropriate cleaning system.



Customer satisfaction is always at the top of the agenda at Maxflow.

Our team strive to ensure an impeccable service for each customer, from the first interaction with our sales team, to carefully manufacturing the products to the customers preference, right through to delivery.



Maxflow also manufacture bespoke appliances for specialist industries that require a custom-built machine.

We believe in continually improving and developing our models. This ensures our products are always of the highest calibre.



After sales care is very important to us and we like to ensure the customer remains satisfied with the products long past the purchase date.

Maxflow provide follow up services on site so that customers in need of repairs or technical support for products can come in and speak our friendly support team.

ISUZU

POWERED by
HONDA

LOANCIN

COMET

Vikan
ADVANCING HYGIENIC CLEANING

HAWK
INTERNATIONAL

YANMAR

UDOR
WATER POWER

BE

INTERPUMP

PRESSURE WASHERS

- 5. Domestic Pressure Washers
- 7. Semi-Industrial Pressure Washers
- 9. Industrial Pressure Washers
- 15. Comet Hotcube
- 16. Bowser Pressure Washers
- 18. Maxflow Electric Range
- 19. Mazzoni Hotbox
- 20. PTO Pressure Washers
- 22. Hydraulic Pressure Washer
- 23. Hawk Twin Pressure Washer
- 24. Comet Electric Range

GENERATORS

- 27. Invertor Generators
- 29. Semi Industrial Generators
- 30. Industrial Generators
- 31. Maxflow PTO Generator
- 32. Welder Generators

CLEANING ACCESSORIES

- 34. High Pressure Trigger Guns
- 35. Trigger Accessories & Chemical Injectors
- 36. Lances & Chemical Accessories

- 37. Lances and Assemblies
- 41. Surface Cleaners
- 43. Vikan Range

PARTS

- 46. Hose
- 48. Water Pumps
- 49. Reels
- 50. Nozzles
- 53. Couplings
- 56. Unloader Valves
- 58. Filters
- 60. Fittings
- 62. Complete Boiler & Coils
- 63. Boiler Spares
- 65. Motors and Spares
- 66. Generator Welder Units
- 68. High Pressure Pumps
- 75. Pump Repair kits
- 77. Gearboxes
- 78. Engine spares
- 83. Anti Vibration Mounts & Castors



PRESSURE WASHERS



WARNING
Many engine exhaust emissions
contain toxic CO. Do never use in an
enclosed space without good
ventilation.

MAINTENANCE
Please refer to the user manual for
instructions. Please refer to the user manual
for instructions on the proper use of the
equipment.

LONCIN
420cc
4-CYCLE ENGINE

MAXFLOW

PRESSURE WASHERS

COLD WATER - DOMESTIC



Maxflow Domestic Pressure Washer

Features

- Honda GP200 196cc air-cooled 4 stroke OHV petrol engine with oil alert
- Aluminium cylinder block
- Horizontal shaft
- Recoil start
- Direct drive system
- Brass pump head
- Chemical pick up hose complete with filter
- Adjustable pressure nozzle for chemical application
- Complete with 10M 2 wire hose and 900mm lance
- Powder coated tubular frame includes built in lance holder
- Solid nylon wheels with rubber tyres



Recommended Application: Cars, Household



Part No.	Engine	Pump	Drive System	Max. Litres Per Min	Max. Bar	Frame
COMET200GP/11LP	Honda GP200	Comet AXD 3020 G	Direct	11	138	Low Profile
COMET200GP/11UR	Honda GP200	Comet AXD 3020 G	Direct	11	138	Upright
COMET200GP10/185LP	Honda GP200	Comet BWD-K 2527 G	Direct	10	186	Low Profile
COMET200GP10/185UR	Honda GP200	Comet BWD-K 2527 G	Direct	10	186	Upright

»» Related Products



Honda GP200 Engine
Model: GP200H-QX3
Part No: GP200H



Comet AXD Pump
Model: AXD 3020 G
Part No: CPAXD3020



Comet BWD-K Pump
Model: BWD-K 2527 G
Part No: CPBWD-K3027G



High Pressure Nozzle
Size: 25° @ 045
Part No: PWP30/25045

Maxflow Domestic Pressure Washer

Features

- Loncin G200 196cc air-cooled 4 stroke OHV petrol engine with oil alert
- Aluminium cylinder block
- Horizontal shaft
- Recoil start (electric start on request)
- Available in both direct drive & gearbox driven systems
- Brass pump head
- Chemical pick up hose complete with filter
- Adjustable pressure nozzle for chemical application
- Complete with 10M 2 wire hose and 900mm lance
- Powder coated tubular frame includes built in lance holder
- Solid nylon wheels with rubber tyres
- compact and durable



i Recommended Application: Cars, Household

Part No.	Engine	Pump	Drive System	Max. Litres Per Min	Max. Bar	Frame
LON200/11CLP	Loncin G200	Comet AXD 3020 G	Direct	11	138	Low Profile
✓ LON200/14LLP	Loncin G200	CometLW 3525 S	Gearbox	14	152	Low Profile

»»» Related Products



Loncin G200 Engine
Model: G200F-P
Part No: LEG200F-P



Comet AXD Pump
Model: AXD 3020 G
Part No: CPAXD3020



High Pressure Nozzle
Size: 25° @ 045
Part No: PWP30/25045



PRESSURE WASHERS

COLD WATER



Maxflow Semi-Industrial Pressure Washer

Features

- Honda GX200 196cc air-cooled 4 stroke OHV petrol engine with oil alert
- Aluminium cylinder block
- Horizontal shaft
- Available in both recoil or electric start options
- Gearbox driven systems
- Brass pump head
- Chemical pick up hose complete with filter
- Adjustable pressure nozzle for chemical application
- Complete with 10M 2 wire hose and 900mm lance
- Powder coated tubular frame includes built in lance holder
- Solid nylon wheels with rubber tyres
- Cage frames are fully rubber mounted



i Recommended Application: Plant Machinery, Agricultural Use

Part No.	Engine	Pump	Drive System	Max. Litres Per Min	Max. Bar	Frame
✓ COMET200HLPF	Honda GX200	Comet LW 3525 S	Gearbox	14	152	Low Profile
COMET200HFF	Honda GX200	Comet LW 3525 S	Gearbox	14	152	Cage
COMET200HFFR	Honda GX200	Comet LW 3525 S	Gearbox	14	152	Cage + Reel
COMET200HFF/ES	Honda GX200 Electric Start	Comet LW 3525 S	Gearbox	14	152	Cage
COMET200HFFR/ES	Honda GX200 Electric Start	Comet LW 3525 S	Gearbox	14	152	Cage + Reel
COMET200HLPFMT	Honda GX200	Comet LW 3525 S	Gearbox	14	152	Low Profile
ELITE200HLPF	Honda GX200	Interpump EL1714	Gearbox	14	152	Low Profile
ELITE200HFF	Honda GX200	Interpump EL1714	Gearbox	14	152	Cage
ELITE200HFFR	Honda GX200	Interpump EL1714	Gearbox	14	152	Cage + Reel
ELITE200HFFES	Honda GX200 Electric Start	Interpump EL1714	Gearbox	14	152	Cage
ELITE200HFFESR	Honda GX200 Electric Start	Interpump EL1714	Gearbox	14	152	Cage + Reel

PRESSURE WASHERS

COLD WATER



Maxflow Semi-Industrial Pressure Washer

Features

- Loncin G420 420cc air-cooled 4 stroke OH petrol engine with low-level oil alert
- Aluminium cylinder block
- Horizontal shaft
- Recoil start (electric start on request)
- Available in both direct drive & gearbox driven systems
- Brass pump head
- Chemical pick up hose complete with filter
- Adjustable pressure nozzle for chemical application
- Complete with 10M 2 wire hose and 1200mm lance
- Powder coated tubular frame includes built in lance holder
- Solid nylon wheels with rubber tyres



i Recommended Application: Plant Machinery, Agricultural Use

Part No.	Engine	Pump	Drive System	Max. Litres Per Min	Max. Bar	Frame
✓ LON420/15CDDUR	Loncin G420	Comet ZWDK-4030G	Direct	15	206	Upright

»» Related Products



Loncin G420 Engine
Model: G420-P
Part No: LEG420F-P



Comet ZWD Pump
Model: ZWDK-4030G
Part No: CPZWDK-4030G



High Pressure Nozzle
Size 25° @ 07
Part No: PWP30/25070



PRESSURE WASHERS

COLD WATER



Maxflow Industrial Pressure Washer

Features



- Loncin G420 420cc air-cooled 4 stroke OHV petrol engine with low-level oil alert
- Aluminium cylinder block
- Horizontal shaft
- Available in both recoil start and electric start options
- Gearbox driven system
- Brass pump head
- Chemical pick up hose complete with filter
- Adjustable pressure nozzle for chemical application
- Standard model complete with 10M 2 wire hose
- Reel model complete with 30M 2 wire hose
- 1200mm lance
- Powder coated tubular frame includes built in lance holder
- Solid nylon wheels with rubber tyres



Recommended Application: Plant Machinery, Agricultural Use



Quick release lance included

✓ Part No.	Engine	Pump	Drive System	Max. Litres Per Min	Max. Bar	Frame
LON420/21LT	Loncin G420	Comet FW2-5530 S	Gearbox	21	206	Trolley
LON420/21LTR	Loncin G420	Comet FW2-5530 S	Gearbox	21	206	Trolley + Reel
LON420/21LT-ES	Loncin G420 Electric Start	Comet FW2-5530 S	Gearbox	21	206	Trolley
LON420/21LTR-ES	Loncin G420 Electric Start	Comet FW2-5530 S	Gearbox	21	206	Trolley + Reel

»» Related Products



Loncin G420 Engine
Model: G420F-P
Part No: LEG420F-P



Comet FW2 Pump
Model: FW2-5530 S
Part No: CPFW25530S



High Pressure Nozzle
Size 25° @ 07
Part No: PWP30/25070



PRESSURE WASHERS

COLD WATER



Maxflow Industrial Pressure Washer

Features

- Honda GX390 389cc air-cooled 4 stroke OHV petrol engine with oil alert
- Aluminium cylinder block
- Horizontal shaft
- Available in both recoil or electric start options
- Gearbox driven system
- Brass pump head
- Chemical pick up hose complete with filter
- Adjustable pressure nozzle for chemical application
- Standard model complete with 10M 2 wire hose
- Reel model complete with 30M 2 wire hose
- 1200mm lance
- Powder coated tubular frame includes built in lance holder
- Solid nylon wheels with rubber tyres
- Rubber mounted base plate



Recommended Application: Plant Machinery, Agricultural Use



Quick release lance included

Part No.	Engine	Pump	Drive System	Max. Litres Per Min	Max. Bar	Frame
✓ COMET390HT	Honda GX390	Comet RW 5530 S	Gearbox	21	206	Trolley
COMET390HTR	Honda GX390	Comet RW 5530 S	Gearbox	21	206	Trolley + Reel
COMET390HTES	Honda GX390 Electric Start	Comet RW 5530 S	Gearbox	21	206	Trolley
COMET390HTESR	Honda GX390 Electric Start	Comet RW 5530 S	Gearbox	21	206	Trolley + Reel
ELITE390HT	Honda GX390	Interpump WS202	Gearbox	21	206	Trolley
ELITE390HTR	Honda GX390	Interpump WS202	Gearbox	21	206	Trolley + Reel
ELITE390HTES	Honda GX390 Electric Start	Interpump WS202	Gearbox	21	206	Trolley
ELITE390HTESR	Honda GX390 Electric Start	Interpump WS202	Gearbox	21	206	Trolley + Reel

»» Related Products



Honda GX390 Engine
Model: QX4
Part No: GX390QX4



Comet RW Pump
Model: RW 5530 S
Part No: CPRW5530



Interpump WS Pump
Model: WS202
Part No: WS202



High Pressure Nozzle
Size: 25° @ 07
Part No: PWP30/25070

PRESSURE WASHERS

COLD WATER



Maxflow Industrial Pressure Washer

Features



- Yanmar 435cc 4-cycle air-cooled diesel engine
- Reinforced crankshaft
- Electric start
- HTD type belt driven premium series pump with brass pump head
- Chemical pick up hose complete with filter
- Adjustable pressure nozzle for chemical application
- Standard model complete with 10M 2 wire hose
- Reel model complete with 30M 2 wire hose
- 1200mm lance
- Powder coated tubular frame includes built in lance holder
- Rubber mounted base plate
- Solid nylon wheels with rubber tyres



Part No.	Engine	Pump	Drive System	Max. Litres Per Min	Max. Bar	Frame
✓ COMET15YTE	Yanmar L100-V	Comet 4030 S RW	Belt	15	206	Trolley
COMET15YTER	Yanmar L100-V	Comet 4030 S RW	Belt	15	206	Trolley + Reel
✓ COMET18YTE	Yanmar L100-V	Comet 5030 S RW	Belt	18	200	Trolley
COMET18YTER	Yanmar L100-V	Comet 5030 S RW	Belt	18	200	Trolley + Reel
ELITE15YTE	Yanmar L100-V	Interpump 201 WS	Belt	15	206	Trolley
ELITE15YTER	Yanmar L100-V	Interpump 201 WS	Belt	15	206	Trolley + Reel
ELITE18YTE	Yanmar L100-V	Interpump E3B2118M	Belt	18	200	Trolley
ELITE18YTER	Yanmar L100-V	Interpump E3B2118M	Belt	18	200	Trolley + Reel

»» Related Products



Yanmar L100V Engine
Model: L100-V
Part No: YANMARL100V



Comet RW Pump
Model: RW 5030 S
Part No: CPRW5030



Interpump EVO Pump
Model:EVO
Part No: E3B2118M



High Pressure Nozzle
Size: 25° @ 045
Part No: PWP30/25045

PRESSURE WASHERS

COLD WATER



Maxflow Industrial Twin-Cylinder Pressure Washer



Features

- Honda GX630 688cc air-cooled 4 stroke OHV petrol engine with oil alert
- Aluminium cylinder block
- Electric start
- Long run fuel tank
- Automatic throttle/auto-idle
- HTD type belt driven premium series pump with brass pump head
- Chemical pick up hose complete with filter
- Adjustable pressure nozzle for chemical application
- Low pressure detergent with chemical injector
- Standard model complete with 10M 2 wire hose
- Reel model complete with 30M 2 wire hose
- 1200mm lance
- Powder coated tubular frame includes built in lance holder
- Rubber mounted base plate
- Solid nylon wheels with rubber tyres
- Drain jetter option available

i Recommended Application: Plant Machinery, Agricultural Use



Part No.	Engine	Pump	Drive System	Max. Litres Per Min	Max. Bar	Frame
COMET630HT	Honda GX630 Electric Start	Comet TW 8030 S	B24 Gearbox Drive	30	206	Custom
COMET630HTR	Honda GX630 Electric Start	Comet TW 8030 S	B24 Gearbox Drive	30	206	Custom + Reel

»»» Related Products



Honda GX630 Engine
Model: QZE4
Part No: GX630QZE4



Comet TW Pump
Model: TW 8030 S
Part No: CPTW8030S



High Pressure Nozzle
Size: 25° @ 10
Part No: PWP30/2510



PRESSURE WASHERS

HOT & COLD WATER



Maxflow Industrial Pressure Washer



Features

- Yanmar 3 cylinder, liquid-cooled diesel engine with indirect injection
- Electric start with DSE auto-shutdown control panel (low oil pressure/over-temperature)
- 18 litre long run fuel tank
- HTD type belt driven premium series pump with brass head
- 2400 RPM engine speed with 1450 RPM pump
- Chemical pick up hose complete with filter
- Adjustable pressure nozzle for chemical application
- Complete with 10M 2 wire hose and 1200mm lance
- Powder coated tubular frame includes built in lance holder
- Rubber mounted base plate
- Pneumatic wheels with 8 ply tyres



i Recommended Application: Livestock housing, Plant Machinery, Agricultural Use, Ship Yards

Part No.	Engine	Pump	Drive System	Max. Litres Per Min	Max. Bar	Frame
YANMARX-TF	Yanmar 3TNV	Comet TW 8030 S	Belt	33	200	Trolley
YANMARX-SKID	Yanmar 3TNV	Comet TW8030 S	Belt	33	200	Skid

»»» Related Products



Comet TW Pump
Model: TW 8030 S
Part No: CPTW8030S



Unloader Valve
Model: VB85
Part No: PWP6/7



High Pressure Nozzle
Size: 25° @ 10
Part No: PWP30/2510



PREMIUM PRESSURE WASHERS

HOT & COLD WATER



Maxflow Industrial Hot Water Pressure Washer



Features

- Yanmar 435cc 4-cycle air-cooled diesel engine with oil alert
- Reinforced crankshaft
- Electric start
- HTD type belt driven premium series pump with brass pump head
- Chemical pick up hose complete with filter
- Adjustable pressure nozzle for chemical application
- Complete with 10M 2 wire hose and 1200mm lance
- Powder coated tubular frame includes built in lance holder
- Rubber mounted base plate
- Solid nylon wheels with rubber tyres



Part No.	Engine	Pump	Drive System	Max. Litres Per Min	Max. Bar	Frame
YCN 18/200	Yanmar L100-V	Comet RW 5030 S	Belt	18	206	Trolley



Recommended Application: Livestock housing, Plant Machinery, Agricultural Use, Ship Yards

>>> Related Products



Comet RW Pump
Model: RW 5030 S
Part No: CPRW5030



Braked Castor Wheel
Model: Heavy duty
Part No: WHEEL5/125



High Pressure Nozzle
Size: 25° @ 055
Part No: PWP30/25055



COMET HOTCUBE

HOT & COLD WATER



Comet Hotcube

Hot & Cold Water Industrial

- Electric start
- No engine-oil safety device (oil-alert)
- Automatic decelerator to reduce the number of revs in the bypass phase
- Gearbox driven
- Fuel tank with level float and fill up filter
- Professional gradual pressure restoration unloader valve
- Double coil vertical boiler with stainless steel outer casing
- Electronic temperature setting system with constant water temperature
- PED 97/23/CE cat. II certification
- Flow-switch operated burner
- Safety valve
- Boiler thermal protection
- Flame control kit



»»» Related Product



Hotcube Cover Kit
 Stainless-steel cover kit optional
 Part No. FDXHOTCUBEC

Part No.	Engine	Pump	Drive System	Max. Litres Per Min	Max. Bar	Frame
FDXHOTCUBE	Yanmar L100-N	Comet FW2	Belt	15	200	Trolley

MAXFLOW PROFESSIONAL BOWSERS

Bowser washers are ideal for remote and difficult to access locations, particularly those with no power or water availability





Engine	Pump	Drive System	Max. Litres Per Min	Max. Bar	Dimensions LxWxH (cm)
Honda GX200	Comet LW 3525 S	Gearbox	14	152	120 X 80 X 110
Honda GX390	Comet RW 5530 S	Gearbox	21	200	340 x 153 x 135
Honda GX390	Interpump WS202	Gearbox	21	200	340 x 153 x 135
Yanmar L100V	Comet RW 4030 S	Belt	15	200	340 x 153 x 135
Yanmar L100V	Comet RW 5030 S	Belt	18	200	340 x 153 x 135
Yanmar L100V	Interpump E3B2118M	Belt	18	200	340 x 153 x 135

MAXFLOW ELECTRIC RANGE



Maxflow Electric Pressure Washer

Cold water

Features

- Mains/suction fed cold water machine with 1450RPM industrial rated motor
- Compact, durable design & easy maneuverability
- Protective stainless steel cover
- Single phase and three phase models available
- Automatic stop optional
- Complete with 10m hose & 900mm lance



Part No.	Power Supply	Motor	Drive System	Max. Litres Per Min	Max. Bar	Frame
C22	230v	1450 rpm	Flexible	11	120	Upright
✓ C30	230v - 16A	1450 rpm	Flexible	12	150	Upright
C55	400v	1450 rpm	Flexible	15	200	Upright

Maxflow Hotwash

Cold water - Hot water - Steam



Features

- Mains fed with on board water tank
- Suction feed ready with integrated port for suction hose
- 1450RPM industrial rated motor
- No circuit boards, basic electronic design for simplicity and easy repair
- Steam function
- 18L Fuel tank
- Compact, durable design & easy maneuverability
- Braked Castors
- Protective 304 mirror stainless steel cover
- Single phase and three phase models available
- Timed automatic stop
- Complete with 10m hose & 1200mm lance



Part No.	Power Supply	Motor	Drive System	Max. Litres Per Min	Max. Bar	Frame
H22	230v	1450 rpm	Flexible	11	130	Trolley
H30	230v - 16A	1450 rpm	Flexible	12	150	Trolley
H55	400v	1450 rpm	Flexible	15	200	Trolley

Transform your machine.

The Mazzoni Hotbox is an electrically-powered diesel boiler, it connects to almost all cold water pressure washers to effectively turn them into a hot pressure washer, it can heat cold water up to 150 °C.

It is suited to many applications, particularly in agriculture, livestock industries. It can also be used filling hot tubs swimming pools, etc. The hot water enables more effective cleaning, given that at least 15 bar is provided.

The Hotbox is designed with a 3/8" coil, a stainless-steel cover and steel base to ensure durability, and complete with 30L fuel tank with level. The diesel pump is directly coupled to the fan from the fan motor housing.

The Hotbox promises high performance with low power consumption operating from a standard 230v socket and meeting all European gas emissions regulations.



Part No.	Power Supply	Max. Litres	Per Min	Max. Bar	KG
HOTBOX25	230v	25		250	130



Recommended Application: Commercial

- Easy adaption to any cold water machine
- Adjustable thermostat
- Automatic stop
- Flow switch activation
- Safety valve
- On-board diesel tank
- Robust industrial frame design
- Easy to manoeuvre

PTO PRESSURE WASHERS



Hawk NLT Pressure Washer

- Hawk direct drive pump
- Sturdy four-legged galvanised frame
- Two stage filtration system
- 3m suction hose & 'bypass to tank' function
- Complete with PTO shaft, 10m/30m hose
- 900mm lance with handgun

Part No.	Pump	Max. Litres	Per Min	Max. Bar
PTOHAWK1	Hawk NLT2525JSR	14 @ 540 rpm	25 @ 1000 rpm	250
PTOHAWK1R ✓ (+ reel)	Hawk NLT2525JSR	14 @ 540 rpm	25 @ 1000 rpm	250

Hawk XLT Pressure Washer

- Hawk direct drive pump
- Sturdy four-legged galvanised frame
- Two stage filtration system
- 3m suction hose & 'bypass to tank' function
- Complete with PTO shaft, 10m/30m hose
- 900mm lance with handgun



Part No.	Pump	Max. Litres	Per Min	Max. Bar
PTOHAWK2	Hawk XLT3020IS	16 @ 540 rpm	30 @ 1000 rpm	200
PTOHAWK2R ✓ (+ reel)	Hawk XLT3020IS	16 @ 540 rpm	30 @ 1000 rpm	200



Hawk NLT GB Pressure Washer

- Hawk pump with Hawk 2:1 gearbox
- Sturdy four-legged galvanised frame
- Two stage filtration system
- 3m suction hose & 'bypass to tank' function
- Complete with PTO shaft, 10m/30m hose & 900mm lance with handgun



Part No.	Pump	Max. Litres Per Min	Max. Bar
PTOHAWKGB1	Hawk NLT2525ISR	25 @ 500 rpm	250
PTOHAWKGB1R (+ reel)	Hawk NLT2525ISR	25 @ 500 rpm	250



Maxflow Heavy Duty PTO

- Galvanised frame with thick wall base plate
- Two stage filtration system
- 3m suction hose & 'bypass to tank' function
- Complete with PTO shaft, 10m/30m hose & 1200mm lance with handgun

Part No.	Pump	Max. Litres Per Min	Max. Bar
PTOUDOR1	Comet TW 8030 S	33 @ 580 rpm	200
PTOUDOR1R (+ reel)	Comet TW 8030 S	33 @ 580 rpm	200
PTOUDOR2	Interpmp W2141	40 @ 580 rpm	200
PTOUDOR2R (+ reel)	Interpmp W2141	40 @ 580 rpm	200
PTOUDOR3	Hawk XLT3020IS	30 @ 400 rpm 36 @ 480 rpm	200
PTOUDOR3R (+ reel)	Hawk XLT3020IS	30 @ 400 rpm 36 @ 480 rpm	200

Maxflow Hydraulic Pressure Washer



Heavy Duty Hydraulic Pressure Washer

The Maxflow HYD20/250R uses an Interpump Hydraulic Motorpump unit to produce 15/20 LPM at a pressure of 250 bar (3600psi).

The water flow can be varied depending on the RPM of the hydraulic motor, it comes fitted with a high pressure rated unloader valve to ensure consistent pressure and stable water flow.

A heavy-duty mild steel frame that has been hot dip galvanised to protect against corrosion secures a robust 350L water tank.

The tank features fast fill points for easy use, the pump is set to bypass to tank upon trigger release, meaning you can let this machine idle with no increase in water temperature or risk of damage to the water seals.

This machine comes with 30m (100ft) of twin wire high pressure hose, mounted on a high quality Italian reel, 1200mm lance also included.



Part No.	Pump	Max. Litres Per Min	Max. Bar
HYD20/250R	Interpump IPE3B2515I-HY26	20	250

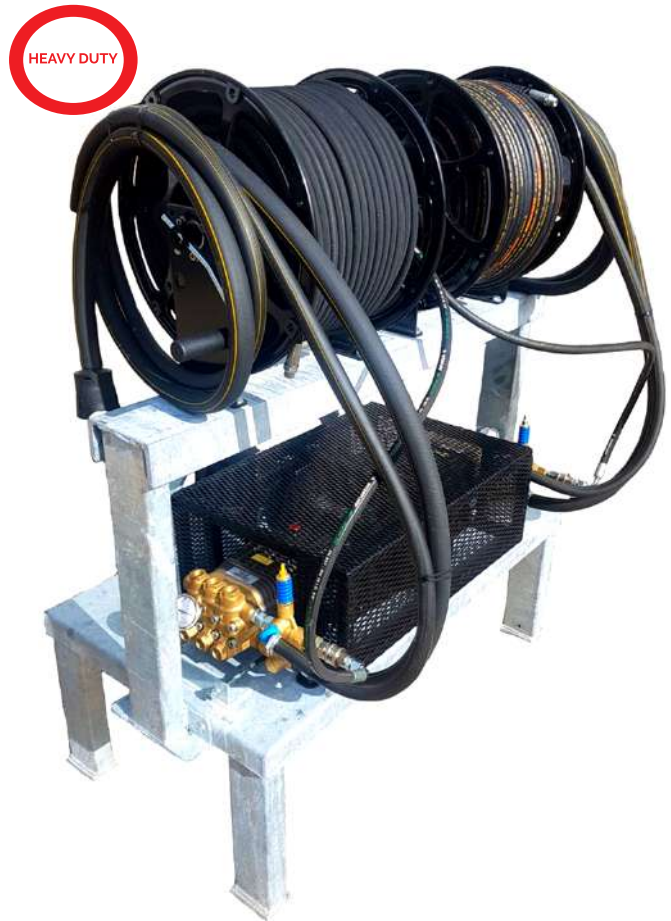


HAWK TWIN XLT PRESSURE WASHER



Features

- 2 x Hawk belt driven pumps
- 50mm HTD type drive belts
- 40mm solid drive shaft on bearings
- PA VB85 unloader valves
- Galvanised frame with powder-coated expanded metal belt guard
- Heavy duty linkage system
- Two stage filtration system
- 3m suction hose & 'bypass to tank' function
- Complete with PTO shaft
- Standard model complete with 2 x 30m hose
- Reel model complete with 2 x 100m hose on heavy duty reel brackets
- 2 x 1200mm lances with handguns



Part No.	Pumps	Max. Litres Per Min	Max. Bar
PTOTWIN	Hawk XLT3020IS	2 x 30 @ 600 rpm	200
✓ PTOTWINR (+ reel)	Hawk XLT3020IS	2 x 30 @ 600 rpm	200

COMET ELECTRIC RANGE



★
Exclusive



COMET ELECTRIC RANGE

Renowned Italian manufacturer Comet S.P.A. provides the highest quality electric machines designed with durability in mind. Each machine is built with a high spec motor and brass head pump. An ergonomic handle and large wheels allow for easy maneuvering and storage. Easy Start & Total Stop functions ensures the machine motor starts under any connection conditions, even if there is a drop in the mains voltage, and stops the motor when the gun is closed

DOMESTIC COLD WATER

Model	KLS 1400 EXTRA	KL 1600 GOLD EXTRA	KS 1700 GOLD	KT 1800 GOLD EXTRA	K 200 GOLD CLASSIC	K250 CLASSIC
MOTOR	2800 rpm	2800 rpm	2800 rpm	2800 rpm	2800rpm	1400 rpm
POWER SUPPLY	Single Phase	Single Phase	Single Phase	Single Phase	Single Phase	Single Phase
FLOW RATE (Litres per min)	6.6	8	9	9	12	12
BAR	140	150	155	160	30	20
kW	2.1	2.3	2.7	2.7	2.9	2.6
DETERGENT	✓	✓	✓	✓	✓	✓
KG	16	19.5	17	25	37	40
LxWxH (cm)	37 x 37 x 56	82 x 30.8 x 31	89 x 32 x 38	40 x 41 x 91	54 x 44 x 68	54 x 44x 68
ACCESSORIES	Gun with protection lance, adjustable nozzle head, rotating nozzle head, foam lance, 10m hose kit with reel, fixed brush.	Gun with protection, lance, adjustable nozzle head, rotating nozzle head, foam lance, 8m hose kit, fixed brush	GC 251 gun with protection. Bent lance with detergent head 15 spray nozzle, 10m rubber hose kit	GC 251 gun with protection, bent lance with adjustable nozzle, bent lance with rotating nozzle, 12m rubber hose kit	GC 215 gun with protection, bent lance with detergent head, 10m rubber hose kit	GC 251 gun with protection, bent lance with detergent head, 15° spray nozzle, 10m rubber hose kit

COMET ELECTRIC RANGE



INDUSTRIAL COLD & HOT/COLD WATER



	KM CLASSIC 3.11	KM CLASSIC 8.16	KF CLASSIC 10.22
MOTOR	1400 rpm	1400 rpm	1400 rpm
PUMP	LW-K	FW2	RW Premium
POWER SUPPLY	Single Phase	Three Phase	Three Phase
FLOW RATE (Litres per min)	11	15	22
BAR	120	200	210
kW	2.9	5.5	7.3
TEMPERATURE	110°C	85-140°C	110°C
DIESEL	18 L	18 L	19 L
DETERGENT	✓	✓	✓
KG	105	125	165
LxWxH (cm)	95 x 62 x 85	95 x 62 x 85	132 x 82 x 86
ACCESSORIES	GH 301 gun with swivel, bent lance with detergent head, fan shape nozzle 25°, 10m rubber hose kit	GH 351 gun with swivel, bent lance with nozzle holder, fan shape nozzle 25°, 10m rubber hose kit, flame control kit	GH 301 gun with swivel, bent lance with detergent head, bent lance with nozzle holder, fan shape nozzle 25°, 10m rubber hose kit



GENERATORS

Loncin
2000W

POWERED by
HONDA

MAXFLOW

Loncin

6500
STARTING WATTS

Portable generator set

• AVR • OIL ENGINE
• LOW OIL SHUTDOWN

65000-A
GASOLINE GENERATOR

POWERED by
HONDA

INVERTOR GENERATORS

The LC2000i & LC3000i has been designed for low noise applications such as camping and caravanning. It is lightweight, powerful and incredibly reliable making it the ideal portable generator. Thanks to the carefully developed inverter technology, a lightweight microprocessor replaces a traditional heavy alternator and helps maintain a smooth, consistent output power with no fluctuations, auto-idle and rev up included.

Loncin LC2000i Generator



Part No.	Engine	kW	Sockets	KG
LC2000i	Loncin LC148F	1.6	1 x 230v 1 x DC12v	21

Loncin LC3000i Generator



Part No.	Engine	kW	Sockets	KG
LC3000i	Loncin LC149cc	2.3	2 x 230v	26.5



Loncin LC7000i Generator

The Loncin LC7000i petrol inverter generator has been designed for industrial applications and home backup use. It is the ideal choice if you need to drive large loads of sensitive electronics such as catering trucks/mobile coffee vendors.

This machine uses smart inverter technology to decide what rpm the engine runs at depending on the load required, meaning you get the most fuel efficiency from your machine. It does all this while still operating at a quiet 86db.

Part No.	Engine	kW	Sockets	KG
LC7000i	Loncin G420F	6	1x12v DC 2 x 230v 13A 1x 230v 16A	118



Loncin LC8000D-A Generator

The Loncin LC8000D-AS petrol AVR generator has been designed for industrial applications and home backup use. It is the ideal choice if you need to drive power tools, garden tools, household items such as fridges, microwaves and even washing machines.

It is also powerful enough to run larger items such as heaters, cement mixers, or hammer drills on building sites. With AVR (Automatic Voltage Regulation), this generator ensures that the flow of electricity is smooth and even. There are safety systems to cope with both low oil levels and overloading.

Part No.	Engine	kW	Sockets	KG
LC8000D-AS	Loncin G420F	6	2 x 115v 1 x 230v	86



Maxflow Semi-Industrial Generator



Loncin G200 powered site generator, fully enclosed frame design, carefully chosen rubber mounts to reduce vibration, dual voltage output. G200 engine with 'oil alert' close coupled to NSM brushless maintenance -free smooth waveform alternator

Part No.	Engine	kW	Sockets	Frame
LON22ETH	Loncin G200	2.2	1 x 230v 16A 1 x 110v 16A	T-Handle
LON22ELF	Loncin G200	2.2	1 x 230v 16A 1 x 110v 16A	Small Full
LON27ELF	Loncin G200	2.7	1 x 230v 16A 1 x 110v 16A	Small Full
LON27TELF	Loncin G200	2.7	2 x 230v 16A 2 x 110v 16A	Small Full

Maxflow Semi Industrial Generator



Honda GX200 powered site generator, fully enclosed frame design, carefully chosen rubber mounts to reduce vibration, dual voltage output. GX200 engine with 'oil alert' close coupled to NSM brushless maintenance -free smooth waveform alternator

Part No.	Engine	kW	Sockets	Frame
STD22ETH	Honda GX200	2.2	1 x 230v 16A 1 x 110v 16A	T-Handle
STD22EHF	Honda GX200	2.2	1 x 230v 16A 1 x 110v 16A	Small Full
STD27EHF	Honda GX200	2.7	1 x 230v 16A 1 x 110v 16A	Small Full
STD27HF	Honda GX200	2.7	2 x 230v 16A 2 x 110v 16A	Small Full

Maxflow Semi-Industrial Generator



Honda GX270 powered site generator, fully enclosed frame design, carefully chosen rubber mounts to reduce vibration, dual voltage output. GX270 engine with 'oil alert' close coupled to NSM brushless maintenance -free smooth waveform alternator

Part No.	Engine	kW	Sockets	Frame
STD50HF	Honda GX270	4	2 x 230v 16A 2 x 110v 16A	Large Full
STD50HTF	Honda GX270	4	2 x 230v 16A 2 x 110v 16A	Trolley

Maxflow Industrial Generator



Loncin G390 site generator, fully enclosed frame design, carefully chosen rubber mounts to reduce vibration, dual voltage output. G390 engine with 'oil alert' close coupled to NSM brushless maintenance -free smooth waveform alternator

Part No.	Engine	kW	Sockets	Frame
LON60FF	Loncin G390	6	2 x 230v 16/32A 2 x 110v 16/32A	Large Full
LON60TF	Loncin G390	6	2 x 230v 16/32A 2 x 110v 16/32A	Trolley

Maxflow Industrial Generator



Honda GX390 site generator, fully enclosed frame design, carefully chosen rubber mounts to reduce vibration, dual voltage output. GX390 engine with 'oil alert' close coupled to NSM brushless maintenance -free smooth waveform alternator

AVR

AVR

Part No.	Engine	kW	Sockets	Frame
STD55HFF	Honda GX390	4.5	2 x 230v 16/32A 2 x 110v 16/32A	Large Full
STD55HTF	Honda GX390	4.5	2 x 230v 16/32A 2 x 110v 16/32A	Trolley
STD60HF	Honda GX390	6	2 x 230v 16/32A 2 x 110v 16/32A	Large Full
STD60HTF	Honda GX390	6	2 x 230v 16/32A 2 x 110v 16/32A	Trolley

Maxflow Industrial Generator



Yanmar L100-V site generator, fully enclosed frame design, carefully chosen rubber mounts to reduce vibration, dual voltage output. L100V stage 5 emission complete engine, close coupled to NSM brushless maintenance -free smooth waveform alternator. Diesel engine provides greater fuel economy for extended use

AVR

Part No.	Engine	kW	Sockets	Frame
ELITE50YANTF	Yanmar L100-V	5	2 x 230v 16/32A 2 x 110v 16/32A	Trolley
ELITE55YANTF	Yanmar L100-V	4.5	2 x 230v 16/32A 2 x 110v 16/32A	Trolley

Maxflow PTO Generator



Having a tractor provides a powerful engine ready to be connected to your driveshaft. You're simply missing the alternator to convert the engine power into electricity.

PTO generators are the perfect solution for portable power on or around a farm. You can operate power tools far from distant utility poles. Plus, you can use a manual transfer switch to restore power to a house, barn or building during an outage.

All Maxflow PTO generators come as standard with removable 3-point linkage & bolt-down slots for fixed operation

Included: PTO shaft & IP67 plugs



Part No.	Continuous kW	Input	Voltage	Phase
PTO30MG/1	30	540rpm	230v	Single
PTO40MG/1	40	540rpm	230v	Single
PTO62MG/3	50	540rpm	400v	Three

Maxflow Petrol Welder Generator

Site Use, Mobile Engineering Firms

Features

Choice of Loncin or Honda engine including oil alert on both models, smooth wave format technology provides you with safe and consistent power when you need it most

Maximum Rod Diameter = 4mm

Duty Cycle = 35%



Part No.	Engine	Unit	Generator	Sockets	Frame
ELITE200AC-HT	Honda GX390	200 AC	6 kVA	2 x 230v 16A 110v 16A 16/32A	2 x Trolley
ELITE200DC-HT	Honda GX390	200 DC	4.5 kVA	1 x 230v 16A 110v 16A 16/32A	1 x Trolley
ELITE200AC-LT	Loncin G390	200 AC	6 kVA	2 x 230v 16A 110v 16A 16/32A	2 x Trolley
ELITE200DC-LT	Loncin G390	200 DC	4.5 kVA	1 x 230v 16A 110v 16A 16/32A	1 x Trolley

Maxflow Diesel Welder Generator

Ideal for extended use
Site Use, Mobile Engineering Firms

Features

Next generation of the Yanmar Diesel L100V series engine with direct port injection and electric start, this is the leader among single cylinder diesel engines. With a brush-less unit using smooth wave format technology this provides you with safe and consistent power when you need it most, the diesel engine helps provide better fuel economy versus petrol

Maximum Rod Diameter = 4mm

Duty Cycle = 35%



Part No.	Engine	Unit	Generator	Sockets	Frame
ELITE180AC-YT	Yanmar L100-V	180DC	5 kVA	2 x 230v 16A 2 x 110v 16A 16/32A	Trolley
ELITE180DC-YT	Yanmar L100-V	180 DC	4.5 kVA	1 x 230v 16A 1 x 110v 16A 16/32A	Trolley



CLEANING ACCESSORIES

HIGH PRESSURE TRIGGER GUNS



MF280 + Swivel
 275 bar 3/8" F inlet
 25 L/min 1/4" F outlet
 150°C inc. swivel

Part No: PWP20/1



MF350 + Swivel
 345 bar 3/8" F inlet
 40 L/min 1/4" F outlet
 150°C inc. swivel

Part No: PWP20



RL30 + Swivel
 345 bar 3/8" F inlet
 40 L/min 1/4" F outlet
 160°C inc. swivel

Part No: PWP20/14



RL30 Trigger Gun
 345 bar 3/8" F inlet
 40 L/min 1/4" F outlet
 160°C

Part No: PWP20/12



Easywash 365 + Swivel
 275 bar 3/8" F inlet
 45 L/min 1/4" F outlet
 150°C inc. swivel

Part No: PWP20/63



ST1500 + Swivel
 275 bar 3/8" F inlet
 45 L/min 1/4" F outlet
 160°C inc. stainless
 steel swivel

Part No: PWP20/5



ST2000 Trigger Gun
 275 bar 3/8" F inlet
 45 L/min 1/4" F outlet
 150°C

Part No: PWP20/41



ST2300S Trigger Gun
 310 bar 3/8" F inlet
 45 L/min QR F outlet
 150°C

Part No: PWP20/65



ST2700 Trigger Gun
 310 bar 3/8" F inlet
 45 L/min 1/4" F outlet
 150°C Stainless Steel

Part No: PWP20/64



RL84 Trigger Gun
 500 bar 1/2" F inlet
 80 L/min 1/2" F outlet
 100°C Stainless Steel

Part No: PWP20/92



RL 124 Trigger Gun
 200 bar 1/2" F inlet
 120 L/min 1/2" F outlet
 160°C

Part No: PWP20/g1



Low Pressure Wash Gun
 275 bar 3/8" F inlet
 65 L/min 1/4" F outlet
 150°C

Part No: PWP20/g



MTM Free Flow Gun
 345 bar 3/8" F inlet
 45 L/min 1/4" F outlet
 150°C

Part No: PWP20/3

TRIGGER ACCESSORIES AND CHEMICAL INJECTORS



Brass Swivel
Compact brass
Max. 250 bar
3/8" BSP
Part No: PWPg3



Stainless Steel Swivel
Swivel joint
Max. 250 bar
3/8" BSP
Part No: PWPg3/3X



Quick Release Head
KEW style brass
coupling
Max. 250 bar
Part No: PWP20/8



QR Spiggot
KEW style stainless
steel
Max. 250 bar
Part No: PWP20/7



QR Spiggot
KEW style stainless
steel
Max. 250 bar
Part No: PWP20/7M



Chemical Injector
Non-adjustable
3/8"M-3/8"F BSP

Part No.	Nozzle
PWP58/1	1.6mm
PWP58/2	1.8mm
PWP58/3	2.1mm
PWP58/4	2.3mm



Chemical Injector
Adjustable
3/8"M-3/8"F BSP

Part No.	Nozzle
PWP58/1A	1.6mm
PWP58/2A	1.8mm
PWP58/3A	2.1mm
PWP58/4A	2.3mm



Chemical Injector
Adjustable
22mm-22mm BSPM

Part No.	Nozzle
PWP58/21	1.8mm
PWP58/22	2.1mm
PWP58/23	2.3mm



Hi-Foam Injector
Adjustable
3/8"M-3/8"M BSP

Part No.	Nozzle
PWP58	1.2mm



Long Hose Injector
Adjustable
3/8"M-3/8"M BSP

Specify pressure :
High 70-210bar @ 10lpm
Med 25-75bar @ 15lpm
Low 2-30bar @ 25lpm
Part No: PWP58/17



Brass Chemical Nozzle
Size 5040
1/4" BSPM
Part No: PWP30/0



Chemical Metering Valve
90°C brass metering valve
Max. 300 bar
1/4" BSPM
Part No: PWP58/14

LANCES & CHEMICAL ACCESSORIES



Foam Injector Head
inc. 1L bottle
200 bar 1/4" M inlet
20 lpm 60°C max.
Part No: PWP58/12



PA Foam Injector Head
inc. 2L bottle
200 bar 1/4" M inlet
20 lpm 60°C max.
Part No: PWP58/13



Foam Lance
Foam lance with chemical injector
Max. 275 bar 1.5mm opening
1/4" BSPF
Part No: PWP35/7



Foam Lance
Foam lance without injector
Max. 275 bar
1/4" BSPF

Part No.	opening
PWP35/2	1.8mm
PWP35/3	2.1mm
PWP35/25	2.5mm



Lance Tubing
Steel tubes available
in various lengths
Max. 345 bar
1/4" BSPM

Part No.	Length
PWP31/11	340mm
PWP31/12	500mm



Pressure Reducer Nozzle
With or without rubber protector
Max. 345 bar 1.8mm opening
1/4" BSPF
Part No: PWP53C

LANCES & ASSEMBLIES



Solid Lance



Available in various lengths
Max. 345 bar
1/4" BSPM

Part No.	Length
PWP31/1	340mm
PWP31/2	500mm
PWP31/8	700mm
PWP31/3	900mm
PWP31/4	1200mm
PWP31/5	1500mm
PWP31/6	1700mm
PWP31/7	2000mm

Solid Lance & Gun



Part No.	Description
PWP32/21	900mm Lance + HP350S + STD Nozzle Holder inc Nozzle
PWP32/21R	900mm Lance + HP350S + P.Reducer inc Nozzle
PWP32/22	1200mm Lance + HP350S + STD Nozzle Holder inc Nozzle
PWP32/22R	1200mm Lance + HP350S + P.Reducer inc Nozzle
PWP32/23	1500mm Lance + HP350S + STD Nozzle Holder inc Nozzle
PWP32/23R	1500mm Lance + HP350S + P.Reducer inc Nozzle
PWP32/24	1700mm Lance + HP350S + STD Nozzle Holder inc Nozzle
PWP32/25	2000mm Lance + HP350S + STD Nozzle Holder inc Nozzle



Part No.	Description
PWP32/15	900mm Lance + HP280S + STD Nozzle Holder inc Nozzle
PWP32/15R	900mm Lance + HP280S + P.Reducer inc Nozzle
PWP32/17	1200mm Lance + HP280S + STD Nozzle Holder inc Nozzle
PWP32/17R	1200mm Lance + HP280S + P.Reducer inc Nozzle
PWP32/18	1500mm Lance + HP280S + STD Nozzle Holder inc Nozzle
PWP32/18R	1500mm Lance + HP280S + P.Reducer inc Nozzle
PWP32/19	1700mm Lance + HP280S + STD Nozzle Holder inc Nozzle
PWP32/19R	1700mm Lance + HP280S + P.Reducer inc Nozzle
PWP32/20	2000mm Lance + HP280S + STD Nozzle Holder inc Nozzle
PWP 32/20R	2000mm Lance + HP280S + P.Reducer inc Nozzle

LANCES & ASSEMBLIES



Antimicrobial High Pressure Lance



Stainless steel lance available in various lengths
 Max. 345 bar
 1/4" BSPM

Part No.	Length
PWP31/8SS	900mm
PWP31/9SS	1200mm

Economy Lance & Gun



900mm lance complete with hand gun. Nozzle included
 Max. 275 bar 30 L/min
 3/8" BSPF 150°C

Part No.	Length
PWP32/3	900mm



MV951 Half Lance

Vented half lance assembly
 Max. 345 bar
 3/8" BSPF

Part No: PWP81



Domestic Lance Kit

Domestic lance assembly + 035 nozzle
 Max. 200 bar
 1/4" BSPM

Part No: PWP32/4 (Gun)
 PWP32/4L (Lance)



Lance Extension

580mm lance with 22mm coupling
 Max. 275 bar
 1/4" BSPM

Part No: PWP31/13



Double Lance Extension

500mm lance extension
 Max. 275 bar
 22mm coupling

Part No: PWP82



Vented Twin Lance

1000mm stainless steel with top control
 chemical knob
 Max. 310 bar 1/4" BSPM

Part No: PWP34/1SS



LANCES & ASSEMBLIES



BE Telescopic Lance



Genuine BE Fiberglass lance complete with BE hand gun
 Max. 275
 3/8" BSPF *Part No:* PWP61/[size]

Part No.	Length
BE-M85.206.018DL	18ft
BE-M85.206.024DL	24ft



Telescopic Belt Kit

Aids balance & stability
 Fully adjustable
 One size
Part No: BE-85.400.019



BE Telescopic Lance Trigger Gun

Part.No
BE-85-202.116

LANCES & ASSEMBLIES



Turbo Half Lance

500mm turbo lance extension
Max. 255 bar
22mm thread

Nozzle Size	Part No.
04	PWP6104
045	PWP61045
05	PWP6105
055	PWP61055
06	PWP6106
065	PWP61065
07	PWP6107



Domestic Turbo Half Lance

500mm turbo lance extension
Max. 200 bar 035 nozzle
22mm thread
Part No: PWP60



Gutter Cleaning Attachment

Complete with mini F quick release
Max. 275 bar
22mm-1/4" BSPF
Part No: PWP36/6



MV30 Twin Lance

Double lance with protection nozzles
Max. 275 bar
1/4" BSPM
Part No: PWP34



XL Foam Lance

1200mm stainless steel
foam lance with air injector
Max. 275 bar
1/4" BSPM

Part No.	Orifice
PWP35/1YL	2.3mm
PWP35/1RL	3.2mm
PWP35/1BL	2.7mm



Foam Lance

600mm stainless steel
foam lance with air injector
Max. 275 bar
1/4" BSPM

Part No.	Orifice
PWP35/1G	2.0mm
PWP35/1Y	2.3mm
PWP35/1R	3.2mm
PWP35/1B	2.7mm

SURFACE CLEANERS



Cleaning up to 20 square metres per minute the surface cleaners reduces operator fatigue and increases productivity, saving up to 80% on labour costs. They are ideal for cleaning all types of flat surfaces including driveways, concrete floors, patios and can be used with any hot or cold pressure washer. The durable cover eliminates over-spray and damage to surrounding area.



Nozzle Size
2x 25025

Maxflow Surface Cleaner

The Maxflow 19" rotary surface cleaner has a polypropylene cover & comes complete with castors, trigger gun & nozzles

Part No.	Diameter	Litres Per Min	Max. Bar	Max. Temp.
PWP37/2	19"	13-30	275	80 °C



Maxflow Stainless Steel Surface Cleaner

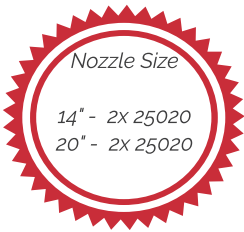
The Maxflow 20" stainless steel surface cleaner comes complete with castors, trigger

Nozzle Size
3x 25020

Part No.	Diameter	Litres Per Min	Max. Bar	Max. Temp.
PWP37/3SW	20"	13-30	275	120 °C



BE SURFACE CLEANERS



BE Polypropelene Whirl-A-Way

The 14" Whirl-A-Way features an underside dual arm, perfect for light surface cleaning needs. The 20" unit features a 2-nozzle spray arm & is supplied with castors. Both come complete with trigger gun & nozzles

Part No.	Diameter	Litres Per Min	Max. Bar	Max. Temp.
BE-85.403.014C	14"	13-30	275	82°C
BE-85.403.011C	20"	13-30	275	82 °C



BE Stainless Steel Whirl-A-Way

The 20" Whirl-A-Way features a 2-nozzle spray arm, whereas the 24" comprises of 3 nozzles. Both come complete with castors, trigger gun & nozzles

Part No.	Diameter	Litres Per Min	Max. Bar	Max. Temp.
BE-85.403.009	20"	13-30	275	82°C
BE-85.403.010	24"	13-30	275	82°C



VIKAN RANGE



Vikan Hand Brush
Water dip
45mm soft bristles
65 x 420 x 65 mm
Max. 50°C
Part No: VK522252



Vikan Hand Brush (Rubber Edge)
Water dip
45mm soft bristles
100 x 290 x 70 mm
Max. 50°C
Part No: VK525252



Vikan Car Wash Brush
Water dip
40mm soft bristles
115 x 320 x 130 mm
Max. 50°C
Part No: VK524652



Vikan Sprial Hand Brush
Water dip
40/65mm soft bristles
335 x 60/40 ø mm
Max. 100°C
Part No: VK525352



Vikan Angle Washing Brush
Water fed
46mm soft bristles
90 x 280 x 150 mm
Max. 50°C
Part No: VK524752



Vikan All Surface Brush
Water fed
52mm soft bristles
130 x 270 x 100 mm
Max. 50°C
Part No: VK475552



Vikan Body Work Brush
Water fed
52mm soft bristles
120 x 370 x 100 mm
Max. 50°C
Part No: VK475752



Vikan Water Fed Vehicle Brush
Water Fed
50mm soft bristles
Max 50°C
120H x 230W x 100D (mm)
Part No: VK526952



Vikan Interior Brush
Water dip
330mm

Part No: VK450052



Vikan Adjustable Vehicle Brush
Water fed
47mm soft bristles
130 x 250 x 160 mm
Max. 50°C
Part No: VK526852



Vikan Nail Brush
Hard Bristles
120 x 45 x 40 mm
Suitable with Chemicals
3-11ph
Part No: VK644052



Vikan Detailing Brush Set
Soft Bristles
140 x 70 x 15mm
Suitable with chemicals
3-11ph
Part No: VK556042



Vikan Round Hand Brush
Water dip
Hard bristles
110 ø mm

Part No: VK38854



Vikan Soft Interior Brush
Soft Bristles
22mm D x 15mm L
Lightweight for user benefit
Part No: VK631559



VIKAN RANGE



Vikan Floor Squeegee
Oil resistance TPE
Rubber Blade
400 x 90 x 110 mm
Max. 70°C

Part No: VK708849



Vikan Floor Squeegee
Oil resistance TPE
Rubber Blade
600 x 90 x 115 mm
Max. 70°C

Part No: VK708869



Vikan Wipe & Shine
Rubber Blade
250 x 210 x 45 mm
Max 100°C
Suitable for car body work & glass

Part No: VK707752



Vikan Wooden Handle
Water dip
Wood & polypropylene
1560 x 25 ø mm
Max. 60°C
Part No: VK292515552



Vikan Aluminium Handle
Water dip
Quick release connector
1575 x 31 ø mm
Max. 50°C
Part No: VK299152Q



Vikan Telescopic Handle
Aluminium telescopic Pole
Water dip
1575-2800 x 32 ø mm
Max. 50°C
Part No: VK297552



Vikan Aluminium Handle
Water dip
1/2"-3/4" hose barb inlet
1935 x 31 ø mm
Max. 50°C
Part No: VK299752



1 Gallon / 5L
Pump Action

Part No: PROPLUS1



1 Gallon / 5L
Pump Action

Part No: RAPID2



Acid/Detergent Sprayer

1 Gallon / 5L
Pump Action

Part No: ACID1

PARTS

A collage of various industrial and mechanical parts. In the top left, a large grey metal flange with a central hole and several bolts. To its right, a brass valve with a textured surface. In the bottom left, a blue plastic wheel with a grey hub. In the bottom right, a black motor with a brass manifold and several ports. A white label on the motor reads "Eaton VSEP", "Part No. 1003", "1003", "1003", "1003". A decorative horizontal line with three dots is centered below the word "PARTS".

HOSE



Clear PVC Hose
1/4" 30M

Part No: PWPH-001



High Pressure Hose
5/16" 10M
350 bar 2-wire
22mm-22mm
Part No: PWPH0510



High Pressure Hose
5/16" 15M
350 bar 2-wire
22mm-22mm
Part No: PWPH0515



High Pressure Hose
3/8" M-FM 10M
330 bar 2-wire
Part No: PWPH0610



High Pressure Hose
3/8" F-MF 12M
330 bar 2-wire
Part No: PWPH0612



High Pressure Hose
3/8" M-FM 15M
Max. 330 bar 2-wire
Part No: PWPH0615



High Pressure Hose
3/8" M-FM 20M
Max. 330 bar 2-wire
Part No: PWPH0620



High Pressure Hose
3/8" M-FM 30M
Max. 330 bar 2-wire
Part No: PWPH0630



Food Grade HP Hose
3/8" F-F 12M
Max. 400 bar 2-wire
Part No: PWPH0612B



Food Grade HP Hose
3/8" F-F 15M
Max. 400 bar 2-wire
Part No: PWPH0615B



Food Grade HP Hose
3/8" F-F 20M
Max. 400 bar 2-wire
Part No: PWPH0620B



Food Grade HP Hose
3/8" F-F 30M
Max. 400 bar 2-wire
Part No: PWPH0630B



Low Pressure Hose
1/2" order per metre
Max. 20 bar / 90°C
Part No: PWPH131



Low Pressure Hose
3/4" order per metre
Max. 20 bar / 90°C
Part No: PWPH132



Low Pressure Hose
1" order per metre
Max. 20 bar / 90°C
Part No: PWPH133



Layflat Hose
1" 10M
Max. 3 bar
Part No: SH1-10



Layflat Hose
2" 10M
Max. 3 bar
Part No: SH2-10



Layflat Hose
2" 100M
Max. 3 bar
Part No: SH2-100



Layflat Hose
3" 100M
Max. 3 bar
Part No: SH3-100



Braided PVC Hose
1/4" 30M
Part No: PWPH-002



Braided PVC Hose
5/16" 30M
Part No: PWPH-003



Braided PVC Hose
3/8" 30M
Part No: PWPH-004



Braided PVC Hose
1/2" 30M
Part No: PWPH-005



Braided PVC Hose
3/4" 30M
Part No: PWPH-006



Braided PVC Hose
1" 30M
Part No: PWPH-007



Heavy Duty Suction Hose
4" 30M

Part No: SUH-4-30



Heavy Duty Suction Hose
1" 30M

Part No: SUH-1-30



Heavy Duty Suction Hose
1 1/4" 30M

Part No: SUH-32-30M



Heavy Duty Suction Hose
2" 30M

Part No: SUH-2-30



Camlock Hosetail

Size:	Part No:
1"	C16AL
1 1/4"	C20AL
1 1/2"	C24AL
2"	C32AL
3"	C48AL
4"	C64AL



Cam Coupling

Male Plug	
Size: Part No:	
1"	F16AL
1 1/4"	F20AL
1 1/2"	F24AL
2"	F32AL
3"	F48AL
4"	F64AL



Cam Coupling

Female Plug	
Size: Part No:	
1"	A16AL
1 1/4"	A20AL
1 1/2"	A24AL
2"	A32AL
3"	A48AL
4"	A64AL



Cam Coupling

Plug Hosetail	
Size: Part No:	
1"	E16AL
1 1/4"	E20AL
1 1/2"	E24AL
2"	E32AL
3"	E48AL
4"	E64AL



Jubilee Clip

Size:	Part No:
9mm-12mm	HCJ9
12mm-16mm	HCJ12
14mm-20mm	HCJ14
16mm-22mm	HCJ16
18mm-25mm	HCJ18
22mm-30mm	HCJ22
25mm-35mm	HCJ25
30mm-40mm	HCJ30
32mm-45mm	HCJ32
38mm-50mm	HCJ38
42mm-55mm	HCJ42
50mm-70mm	HCJ50
60mm-80mm	HCJ60



Mikalor Hose Clamp

Size:	Part No:
29mm-31mm	HC2931
32mm-35mm	HC3235
36mm-39mm	HC3639
40mm-43mm	HC4043
44mm-47mm	HC4447
48mm-51mm	HC4851
52mm-55mm	HC5255
56mm-59mm	HC5659
60mm-63mm	HC6063
64mm-67mm	HC6467
80mm-85mm	HC8085
86mm-91mm	HC8691



Loncin Water Pumps



Honda Water Pumps

Lightweight and fuel efficient, our range of water pumps will cater to all your pumping needs.

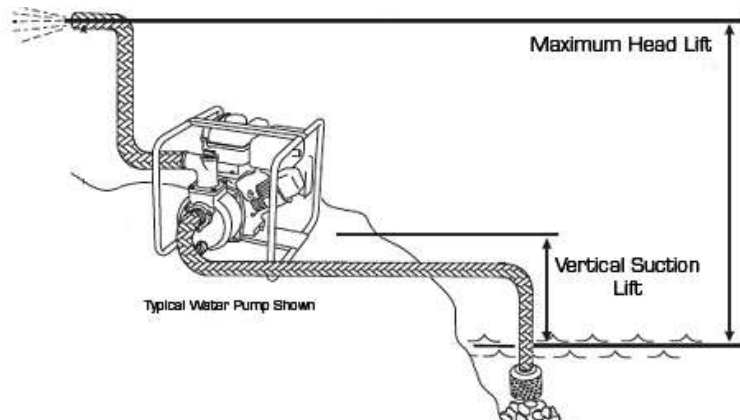
Designed to be used above water in an open-air environment our engine driven water pumps provide a reliable and efficient way to safely move water.

These pumps can handle site water with solids up to 3mm, semi/full trash options available on request.

Can also pump diesel ←

Part No.	Model	Engine	Flow (L per min)	Head (M)	Inlet (mm)	Outlet (mm)
LONWP1	1"	Loncin LC152F	133	21	25	25
LONWP2	2"	Loncin G160F	500	23	50	50
LONWP2HL	2" High Lift	Loncin G200F	750	60	80	80
LONWP3	3"	Loncin G200F	800	35	80	80
HONWP1	1"	Honda GX 25	140	40	25	25
HONWP2	2"	Honda GX120	590	32	50	50
HONWP3-KOSH	3"	Honda GX120	590	32	80	80
HON-TE4-80RD	3"	Robin 4-stroke	900	23	80	80

Understanding Water Pumps



REELS



Magnum Baby Trolley

Manual high pressure
Steel approx. 30M
200 bar 1/2" BSPM

✓ Part No: REEL6KT (with hose)

Part No: REEL6KTBARE



Maxflow Reel Trolley

Manual high pressure
Steel approx. 100M
200 bar 1/2" BSPM

✓ Part No: REEL112KT (with hose)

Part No: REEL112KTBARE



Maxflow Reel

Manual high pressure
Steel approx. 30M
200 bar 3/8" BSPM

Part No: REELg



Magnum Mini Reel

Manual high pressure
Steel approx. 20M
200 bar 1/2" BSPM

Part No: REEL4



Magnum Baby Reel

Manual high pressure
Steel approx. 30M
200 bar 1/2" BSPM

Part No: REEL6



AV1100FE

Auto high pressure
Steel approx. 20M
200 bar 1/2"M-1/2"F

Part No: PWPAV1100FE



Large Maxflow Reel

Manual high pressure
Steel approx. 100M
200 bar

1/2" BSPM - Part No:

REEL112/12

3/8" BSPM - Part No:

REEL112/38



AVM9000

Manual high pressure
S/Steel approx. 20M
200 bar 1/2"M-1/2"M

Part No: PWPAVM9000



AVM9720

Manual double brackets
S/Steel approx. 35M
82 bar 1"M-3/4"M

Part No: PWPAVM9720



AV1100

Auto high pressure
S/Steel approx. 20M
200 bar 1/2"M-1/2"F

Part No: PWPAV1100



AV3501

Manual high pressure
S/Steel approx. 20M
200 bar 1"M-3/4"F

Part No: PWPAV3501



AV5000

Auto high pressure
S/Steel approx. 30M
200 bar 1"M-3/4"F

Part No: PWPAV5000



Swivel

Straight steel swivel
3/4" BSP

Part No: PWPg3/7



Brass Reel Swivel

1/2" BSPF to suit
Magnum Mini &
Magnum Baby

Part No: PWPg3/5



Swivel

90°C steel swivel
3/4" BSP

Part No: PWPg3/8



Swivel

90°C steel swivel
1" BSP

Part No: PWPg3/9



Reel Swivel Repair Kit

O-ring repair kit to suit
Magnum Mini &
Magnum Baby swivel

Part No: REEL6RK

NOZZLES



QR Nozzle Set + Holder
300 Bar, 11.6mm 150°C
inc Chemical 0° 15° & 25°

Size	Part No.
035	PWP30/QA035
04	PWP30/QA04
045	PWP30/QA045
05	PWP30/QA05
065	PWP30/QA065



M4 Variable Nozzle
200 Bar, M4Thread 60°C

Size	Part No.
03	PWP30/0303
035	PWP30/03035
04	PWP30/0304
045	PWP30/03045
05	PWP30/0305
065	PWP30/03065

15° Nozzle

500 Bar
1/4"M
50°C



Size	Part No.
02	PWP30/1502
025	PWP 30/15025
03	PWP30/1503
035	PWP30/15035
04	PWP30/1504
045	PWP30/15045
05	PWP30/1505
06	PWP30/1505
065	PWP30/15065
07	PWP30/1507
075	PWP30/15075
08	PWP30/1508
085	PWP30/15085
09	PWP30/1509
095	PWP30/15095
10	PWP30/15010

25° Nozzle

500 Bar
1/4"M
50°C



Size	Part No.
02	PWP30/2502
025	PWP 30/25025
03	PWP30/2503
035	PWP30/25035
04	PWP30/2504
045	PWP30/25045
05	PWP30/2505
06	PWP30/2505
065	PWP30/25065
07	PWP30/2507
075	PWP30/25075
08	PWP30/2508
085	PWP30/25085
09	PWP30/2509
095	PWP30/25095
10	PWP30/25010

40° Nozzle

500 Bar
1/4"M
50°C



Size	Part No.
02	PWP/30/4002
025	PWP/30/40025
03	PWP/30/4003
035	PWP/30/40035
04	PWP/30/4004
045	PWP/30/40045
05	PWP/30/4005
055	PWP/30/40055
06	PWP/30/4006
065	PWP/30/40065
07	PWP/30/4007
08	PWP/30/4008
09	PWP/30/4009
10	PWP/30/4010

NOZZLES



Drain Jetting Nozzle
200 bar 1/4" BSPF 150°C

Size	Part No.
045	PWP30/14/045
05	PWP30/14/05
055	PWP30/14/055
065	PWP30/14/065



Drain Jetting Nozzle
345 bar 3/8" BSPF 90°C

Size	Part No.
05	PWP30/12/05
065	PWP30/12/065
07	PWP30/12/07
09	PWP30/12/09

Nozzle Holder with Nut



With or without rubber protector
Max. 345 bar 1.8mm opening
1/4" BSPF

Part No: PWP53C

Variable Nozzle Head



To fit M4 Nozzle
21 L/min
1/4" BSPF
90°

Part No. PWP30/02

Adjustable Nozzle Holder



PA pressure adjuster
Max. 200 bar
1/4" BSPF

Part No: PWP50/2



PA Turbo Nozzle
250 bar 1/4" BSPF 90°C

Size	Part No.
045	PWP62/2/045
05	PWP62/2/05
06	PWP62/2/06
065	PWP62/2/065

PA Turbo Repair Kit
Suitable for 250 bar

Size	Part No.
045	PWP66/1/045
05	PWP66/1/05
06	PWP66/1/06
065	PWP66/1/065



Turbo Nozzle
255 bar 1/4" BSPF 100°C

Size	Part No.
04	PWP62/04
045	PWP62/045
05	PWP62/05
055	PWP62/055
06	PWP62/06
065	PWP62/065
07	PWP62/07

Turbo Nozzle Repair Kit
Suitable for 255 bar

Size	Part No.
04	PWP65/04
045	PWP65/045
05	PWP65/05
055	PWP65/055
06	PWP65/06
065	PWP65/065
07	PWP65/07



Heavy Duty Turbo Nozzle
400 bar 1/4" BSPF 90°C

Size	Part No.
05	PWP63/05
06	PWP63/06
07	PWP63/07
08	PWP63/08
09	PWP63/09
10	PWP63/10
11	PWP63/11
12	PWP63/12

HD Turbo Repair Kit
Suitable for 400 bar

Size	Part No.
05	PWP66/05
06	PWP66/06
07	PWP66/07
08	PWP66/08
09	PWP66/09
10	PWP66/10
11	PWP66/11
12	PWP66/12



COUPLINGS



Mini QR Coupling
1/4" BSP female thread

Part No: PWP4/1



Medium QR Coupling
3/8" BSP female thread

Part No: PWP4/2



Medium QR Coupling
3/8" BSP male thread

Part No: PWP4/21



Quick Release Coupling
3/8" BSP female thread

Part No: PWP4/3



S/Steel QR Coupling
3/8" BSP female thread

Part No: PWP4/41



PA QR Coupling
3/8" BSP female thread

Part No: PWP4/5



Medium Female Probe
14.95mm
3/8" BSBF

Part No: PWP4/25



Medium Male Probe
14.95mm
1/4" BSBM

Part No: PWP4/22



Medium Female Probe
14.95mm
1/4" BSBF

Part No: PWP4/23



Medium Male Probe
14.95mm
3/8" BSPM

Part No: PWP4/24



QR Male Probe
19.9mm
3/8" BSPM

Part No: PWP4/31



Mini Female Probe
11.6mm
1/4" BSBF

Part No: PWP4/13



Mini Male Probe
11.6mm
1/4" BSBM

Part No: PWP4/12



S/Steel QR Male Probe
19.9mm
3/8" BSPM

Part No: PWP4/4



PA QR Male Probe
19.9mm
3/8" BSPM

Part No: PWP4/51



Garden Hose QR Coupling
1/2" hose coupler

Part No: PWP42/4



Hydro Female Hose connector Brass
Brass 3/4"-1/2 Thread Tap
Part No: PWP42/3B



O Ring
Diameter: 9.2mm
Width: 2.62mm
Part No: OR9.20x2.62



O Ring
Diameter: 17.86mm
Width: 2.62mm
Part No: OR17.8x2.62



O Ring
Diameter: 20.29mm
Width: 2.62mm
Part No: OR20.29x2.62



O Ring
Diameter: 10mm
Width: 4mm
Part No: OR10x40



Quick release O Ring Set
Part No: ORQRSET

COUPLINGS



Brass Adapter
14mm insert
22mm-3/8" BSPF
Part No: PWP46/1



Brass Adapter
14mm
22mm-3/8" BSPM
Part No: PWP45/1



Brass Adapter
14mm insert
22mm-1/4" BSPF
Part No: PWP46/2



Brass Adapter
15mm
22mm-3/8" BSPM
Part No: PWP45/5



Brass Adapter
15mm
22mm-1/4" BSPF
Part No: PWP46/8



Brass Adapter
14mm
22mm-1/4" BSPM
Part No: PWP45/2



Brass Adapter
15mm
22mm-1/4" BSPM
Part No: PWP45/4



Brass Adapter
15mm
22mm-3/8" BSPF
Part No: PWP46/9



Brass Adapter
22mm M - 1/2" F
Part No: PWP45/4



Brass Adapter
22mm M - 22mm F
Part No: PWP46/6



Brass Adapter
22mm-22mm BSPM
Part No: PWP46/3



Adapter
Long nosed
1/4" BSPM plug
Part No: PWP49/91



Adapter
Long nosed
3/8" BSFM plug
Part No: PWP49/71



Adapter
Long nosed
3/8" BSPF plug
Part No: PWP49/7



Adapter
Long nosed
1/4" BSPF plug
Part No: PWP49/9



Screw Coupling
15mm insert
22mm-3/8" BSPM
Part No: PWP44/31



Screw Coupling
15mm insert
22mm-3/8" BSPF
Part No: PWP44/32



Screw Coupling
15mm insert
22mm-1/4" BSPM
Part No: PWP44/3



Screw Coupling
15mm insert
22mm-1/4" BSPF
Part No: PWP44/33



Screw Coupling
14mm insert
22mm-3/8" BSPF
Part No: PWP44/1



Screw Coupling
14mm insert
22mm-1/4" BSPF
Part No: PWP44/21



Screw Coupling
14mm insert
22mm-3/8" BSPM
Part No: PWP44



Screw Coupling
14mm insert
22mm-1/4" BSPM
Part No: PWP44/2



Screw Coupling
1/4" hose tail
22mm-15mm BSPM
Part No: PWP44/4



Screw Coupling
Long nosed
3/8" BSPF
Part No: PWP49/6

COUPLINGS



Screw Coupling
Long nosed
1/4" BSPM

Part No: PWP49/81



Screw Coupling
Long nosed
1/4" BSPF

Part No: PWP49/8



Screw Coupling
Long nosed
3/8" BSPM

Part No: PWP49/61

UNLOADER VALVES



Pressure Gauge
Metal back fed
45mm
Max. 160 bar
Part No: PWP17



Pressure Gauge
Metal back fed
63mm
Max. 400 bar
Part No: PWP17/1



Pressure Gauge
Metal bottom fed
63mm
Max. 400 bar
Part No: PWP17/2



VRT3 Unloader Valve
250 bar 3/8" F inlet
40 L/min 3/8" F outlet
2 x 1/4" BSPF bypass
Part No: PWP6/11



VRT3 Panel Mount Unloader + Press SW
250 bar 3/8" F inlet
40 L/min 3/8" F outlet
2 x 1/4" BSPF bypass
Part No: PWP6/5



VRT3-N Unloader Valve
310 bar 3/8" F inlet
40 L/min 3/8" F outlet
2 x 1/4" BSPF bypass
Part No: PWP6/112



K1 Unloader Valve
250 bar 3/8" F inlet
9-41 L/min 1/2" M outlet
1/2" BSPM bypass



K3.1 Unloader Valve
100 bar 3/8" F inlet
11-16 L/min 1/2" M outlet
1/2" F & 3/4" M bypass



K5 Unloader Valve
200 bar 3/8" F inlet
11-16 L/min 1/2" M outlet
1/2" F & 3/4" M bypass



UL262 Unloader Valve
120 bar 3/4" F inlet
135 L/min 3/4" F outlet
3/4" BSPF bypass
Part No: SPECKUL262/1



UL221 Unloader Valve
200 bar 1/2" F inlet
50 L/min 1/2" F outlet
1/2" BSPF bypass
Part No: SPECKUL221/200



VB85 Unloader Valve
275 bar 3/8" F inlet
80 L/min 1/2" M outlet
1/2" BSPF bypass



VB150 Unloader Valve
150 bar 1" F outlet
200 L/min 1" F outlet
1" BSPF bypass



VB400 Unloader Valve
400 bar 1/2" F inlet
80 L/min 1/2" F outlet
1/2" BSPF bypass



UL262 Unloader Valve
275 bar 3/4" F inlet
100 L/min 3/4" F outlet
3/4" BSPF bypass
Part No: SPECKUL262/2



Mazzoni Unloader Valve
250 bar 3/8" F inlet
35 L/min 3/8" F outlet
3/8" BSPF bypass
Part No: MAZ-300312024



Comet K Unloader Valve
Max. 138 bar
Part No: COM-12150584



Comet K Unloader Valve
Max. 180 bar
Part No: COM-12150585



Comet K Unloader Valve
Max. 275 bar
Part No: COM-12150586



Safety Valve
Max. 150 bar
30 L/min
1/4" BSPM
Part No: PWP109

UNLOADER VALVES



ST230 Safety Valve
 Max. 150 bar
 30 L/min
 1/4" F inlet - 1/4" F outlet
 Part No: PWP109/1



VS180 Safety Valve
 Max. 180 bar
 200 L/min
 3/4" & 1/2" F inlet
 1/4" F outlet
 Part No: PWP109/2



VS500 Safety Valve
 Max. 500 bar
 80 L/min
 3/4" & 1/2" F inlet
 1/4" F outlet
 Part No: PWP109/3



VS400 Safety Valve
 Max. 400 bar
 80 L/min
 1/2" F inlet - 1/2" F outlet
 Part No: PWP109/4



SV2/600 Safety Valve
 Max. 600 bar
 160 L/min
 1/2" M inlet
 Part No: PWP109/5



Unloader Control Set
 Chemical injector & bypass
 110 bar
 12-15 L/min
 1/2" F inlet
 3/8" M outlet
 Part No: W1L.1



Unloader Control Set
 Chemical injector & bypass
 200 bar
 11-15 L/min
 1/2" F inlet
 3/8" M outlet
 Part No: W2L-1



Unloader Control Set
 Chemical injector & bypass
 110 bar
 12-15 L/min
 3/8" F inlet
 3/8" M outlet
 Part No: W1.1

FILTERS



Bell Suction Filter
Hard plastic materials
1/2" - 3/4" hose tail

Part No: PWP70



Bell Suction Filter
Hard plastic materials
3/4" - 1" hose tail

Part No: PWP70/1



Brass Inlet Filter
Weighted
50 mesh screen
1/2" - 3/4" hose tail

Part No: PWP71



Chemical Strainer
Nylon + 50 mesh screen

Part No: PWP58/16



Aluminum Intake Filter
10 bar 1/2" F inlet
22 L/min 1/2" M outlet
80°C 2 x 1/4" F bypass

Part No: PWP73



ST35 Tall Suction Filter
Plastic
3/4" - 2" hose tail

Part No: PWP71/2



ST35 Tall Suction Filter
Plastic
1/2" - 3/4" hose tail

Part No: PWP71/21



Y-Type Intake Filter
Brass + 50 mesh screen
1/2"F - 1/2"F

Part No: PWP72/1



Y-Type Intake Filter
Brass + 50 mesh screen
3/4"F - 3/4"F

Part No: PWP72/2



Y-Type Intake Filter
Brass + 50 mesh screen
1"F - 1"F

Part No: PWP72/3



Y-Type Intake Filter
Brass + 50 mesh screen
1 1/4"F - 1 1/4"F

Part No: PWP72/4



Y-Type Intake Filter
Brass + 50 mesh screen
1 1/2"F - 1 1/2"F

Part No: PWP72/5



Y-Type Intake Filter
Brass + 50 mesh screen
2"F - 2"F

Part No: PWP72/6



Non-Return Valve
2"F - 2"F
Max. 25 bar
Max. 50°C

Part No: PWP107/6



Non-Return Valve
1/4"F - 1/4"F
Max. 25 bar
Max. 50°C

Part No: PWP107



Non-Return Valve
3/8"F - 3/8"F
Max. 25 bar
Max. 50°C

Part No: PWP107/1



Non-Return Valve
1/2"F - 1/2"F
Max. 25 bar
Max. 50°C

Part No: PWP107/2



Non-Return Valve
3/4"F - 3/4"F
Max. 25 bar
Max. 50°C

Part No: PWP107/3



Non-Return Valve
1"F - 1"F
Max. 25 bar
Max. 50°C

Part No: PWP107/4



Non-Return Valve
1 1/2"F - 1 1/2"F
Max. 25 bar
Max. 50°C

Part No: PWP107/5

FILTERS



Hydro-S Cartridge Filter
10" clear bowl filter
60 micron
1" inlet
Part No: PWP74H/1



Hydro-S Cartridge Filter
5" clear bowl filter
60 micron
3/4" inlet
Part No: PWP74H/4



Hydro-S Cartridge Filter
5" clear bowl filter
60 micron
1" inlet
Part No: PWP74H/2



Hydro-S Filter Element
5" filter element
60 micron
Part No: PWP74H/3



Hydro-S Cartridge Filter
10" filter element
60 micron
Part No: PWP74H/5



Inline Filter
30 L/min
1/2" F inlet
1/2" M outlet
Part No: PWP73/1



Inline Filter
20 bar 50 mesh
1/2" F inlet
1/2" F outlet
Part No: PWP74



Inline Filter
20 bar 50 mesh
3/4" F inlet
3/4" F outlet
Part No: PWP74/1



Inline Filter
20 bar 50 mesh
1" F inlet
1" F outlet
Part No: PWP74/2



Inline Filter
60 L/min
1 1/4" M inlet
1 1/4" M outlet
Part No: PWP74/11



Inline Filter
220 L/min 50 mesh
2" M inlet
2" M outlet
Part No: PWP74/14



Comet Inline Filter
Glass bowl filter to suit
Comet KM range
3/4" F - 3/4" F 50 mesh
Part No: COM-1002023700



Comet Inline Filter
Glass bowl filter to suit
Comet KM range
1/2" F - 1/2" F 50 mesh
Part No: COM-10020237/2



Comet Inline Filter
Water filter kit to suit
Comet KE range
3/4" F - 3/4" M
Part No: COM-10020129

FITTINGS



Brass T Joint

Size:	Part No:
1/4"	HRCT04
3/8"	HRCT06
1/2"	HRCT08
3/4"	HRCT12



Lugged Hose Connector

Size:	Part No:
1/2"	LF08
3/4"-1/2"	LF12/08
3/4"	LF12
1"	LF16



Brass 90° Elbow

Thread-barb:	Part No:
1/4"-1/4"	MHC040490
3/8"-1/2"	MHC060890
1/2"-1/2"	MHC080890



Brass Hose Joint

Size:	Part No:
1/4"	HRC04/04
3/8"	HRC06/06
1/2"	HRC08/08
3/4"	HRC12/12
1"	HRC16/16



Tail Claw Coupling

Size:	Part No:
1/2"	PWP47/1
3/4"	PWP47/2
1"	PWP47/3
Seal	PWP47/8



Thread Claw Coupling

Size:	Part No:
1/2"	PWP47/4
3/4"	PWP47/5
1"	PWP47/6
Seal	PWP47/8



Thread Claw Adapter

Size:	Part No:
1/2"	PWP47/41
3/4"	PWP47/51
1"	PWP47/61
Seal	PWP47/8



Brass Adapter

Size:	Part No:
1/2"-1/2"	BA08/08
3/4"-1/2"	BA12/08
1"-3/4"	BA16/12
3/4"-3/4"	BA12/12
1" - 1"	BA16/16



Brass Hose Tail

Thread-barb	Part No:
1/8"-1/8"	MH02/02
1/8"-1/4"	MH02/04
1/4"-1/4"	MH04/04
1/4"-3/8"	MH04/06
3/8"-1/4"	MH06/04



Brass Hose Tail

Thread-barb	Part No:
3/8"-3/8"	MH06/06
3/8"-1/2"	MH06/08
1/2"-1/2"	MH08/08
3/4"-3/4"	MH12/12
1" - 1"	MH16/16



Nylon Hose Tail

Thread-barb	Part No:
1/4"-1/4"	HT04/04
1/4"-3/8"	HT04/06
1/4"-1/2"	HT04/08
3/8"-1/4"	HT06/04
3/8"-3/8"	HT06/06



Nylon Hose Tail

Thread-barb	Part No:
3/8"-1/2"	HT06/08
1/2"-1/2"	HT08/08
1/2"-3/4"	HT08/12
3/4"-3/4"	HT12/12
1" - 1"	HT16/16



Nylon 90° Elbow

Thread-barb	Part No:
1/4"-1/4"	HT90-04/04
1/4"-3/8"	HT90-04/06
1/4"-1/2"	HT90-04/08
3/8"-1/2"	HT90-06/08
1/2"-1/2"	HT90-08/08



Nylon 90° Elbow

Thread-barb	Part No:
1/2"-3/4"	HT90-08/12
3/2"-1/2"	HT90-12/08
3/4"-3/4"	HT90-12/12
1" - 1"	HT90-16/16

GALVANISED FITTINGS



Reducing Socket

Size:	Part No:
3/4" - 1/2"	RS12/08
1" - 1/2"	RS16/08
1" - 3/4"	RS16/12
1 1/4" - 1"	RS20/16
1 1/2" - 1"	RS24/16



Reducing Socket

Size:	Part No:
1 1/2" - 1 1/4"	RS24/20
2" - 1"	RS32/16
2" - 1 1/4"	RS32/20
2" - 1 1/2"	RS32/24



Equal Hexagon Nipple

Size:	Part No:
1/4"	EN04
3/8"	EN06
1/2"	EN08
3/4"	EN12
1"	EN16
1 1/4"	EN20
1 1/2"	EN24
2"	EN32



Reducing Hexagon Nipple

Size:	Part No:
1/2" - 3/8"	RN08/06
3/4" - 1/2"	RN12/08
1" - 1/2"	RN16/08
1" - 3/4"	RN16/12
1 1/4" - 1"	RN20/16
1 1/2" - 1 1/4"	RN24/20
2" - 1 1/4"	RN32/20
2" - 1 1/2"	RN32/24



Equal Socket

Size:	Part No:
1/4"	ES04
3/8"	ES06
1/2"	ES08
3/4"	ES12
1"	ES16
1 1/4"	ES20
1 1/2"	ES24
2"	ES32



Equal Union

Size:	Part No:
3/8"	EU06
1/2"	EU08
3/4"	EU12
1"	EU16
1 1/4"	EU20
1 1/2"	EU24
2"	EU32



Equal Cross

Size:	Part No:
1/2"	EC08
3/4"	EC12
1"	EC16
1 1/4"	EC20
1 1/2"	EC24
2"	EC32



Beaded Hollow Plug

Size:	Part No:
1/4"	BP04
3/8"	BP06
1/2"	BP08
3/4"	BP12
1"	BP16
1 1/4"	BP20
1 1/2"	BP24
2"	BP32



Reducing Bush

Size:	Part No:
1/4" - 1/8"	RB04/02
3/8" - 1/8"	RB06/02
3/8" - 1/4"	RB06/04
1/2" - 1/4"	RB08/04
1/2" - 3/8"	RB08/06
3/4" - 1/2"	RB12/08
1" - 1/2"	RB16/08
1" - 3/4"	RB16/12



Reducing Bush

Size:	Part No:
1 1/4" - 1"	RB20/16
1 1/2" - 1/2"	RB24/08
1 1/2" - 1"	RB24/16
1 1/2" - 1 1/4"	RB24/20
2" - 1"	RB32/16
2" - 1 1/4"	RB32/20
2" - 1 1/2"	RB32/24

Complete Boilers



Name	Size	Volatge	Part No.
Mazzoni Complete Boiler	20L	12v	MAZ302602038
Mazzoni Complete Boiler	15L	12v	MAZ-302602025
Mazzoni Complete Boiler	15L	230v	MAZ-30260207
Mazzoni Complete Boiler	20L	230v	MAZ-302602013
Mazzoni Complete Boiler	20L	400v	MAZ-302602008
Mazzoni Complete Boillter	30L	400v	MAZ-302402016

Boiler Coils



Name	Size	Part No.
Lavor Boiler Coil	12L	LAVOR12
Lavor Boiler Coil	15L	LAVOR15
Lavor Boiler Coil	21L	LAVOR21
Comet KD300	NA	COM-30440019
Comet KE8350	NA	COM-30440016
Mazzoni Boiler Coil	12-15L	MAZ-202904011
Mazzoni Boiler Coil	15-25L	MAZ-202904008
Mazzoni Horizontal Coil	NA	MAZ-202904006
Mazzoni Horizontal Coil	NA	Maz-202904005

BOILER SPARES



Thermostat + Switch
230-400v 16 amp
30-150°C
Part No: PWP100/5



Thermostat
230-400v 16 amp
30-150°C
Part No: PWP100/6



Burner Nozzle
To suit Comet and
Mazzoni
Part No: PWPBN/[size]



Probe Housing
For thermostat
Max. 300 bar
Part No: PWP100/7



ST6 Flow Switch
Mounted horizontally
or vertically
Part No: PWP100/8



Level Switch
For fuel detergent &
water
Part No: PWP104



ST5 Flow Switch
Vertical mount | 1 amp
Max. 250 bar | 30L/m
Part No: PWP100/3



ST5 Magnet
Replacement part for
ST5 Flow Switch
Part No: PWP100/1



FL7 Flow Switch
Vertical/horizontal mount
1 amp | 250 bar | 30L/m
Part No: PWP100/4



**PA FL3 Flow Switch with
Gauge Port**
Part No: PWP100/11



Danfloss R3 Fuel Pump
Complete with solenoid
24/240v
Part No: PWP104/3



Danfloss L3 Fuel Pump
Complete with solenoid
24/240v
Part No: PWP104/2



Delta Universal F.Pump
Complete with solenoid
24/240v
Part No: PWP104/4



Nippon Electric F.Pump
240v
1/8" F inlet-1/8" F outlet
Part No: PWP104/5



Taisan Electric F.Pump
240v
1/8" F inlet-1/8" F outlet
Part No: PWP104/6



Lavor Electrodes
Block
Part No: PWP121



Lavor Electrodes
Pair
Part No: PWP122



Comet Electrodes
Block
Part No: PWP123



Mazzoni Electrodes
Block
Part No: PWP124



Mazzoni Electrodes
Pair
Part No: PWP125



Portotecnica Electrodes
Block
Part No: PWP127



Portotecnica Electrodes
Pair
Part No: PWP128



Mazzoni Ignition Leads
300mm
Part No: MAZ-202004033



Mazzoni Ignition Leads
500mm
Part No: MAZ-202004035



Mazzoni Fan Assembly
To suit PH3000
Part No: MAZ-901902009

BOILER SPARES



Mazzone Fan Assembly
To suit PH3025

Part No: MAZ-901902012



Mazzone Fan Assembly
To suit W4000 & W5000

Part No: MAZ-901902011



240v Fan Motor
32mm fuel pump drive
150 watt

Part No: PWP103



Mazzone Boiler Motor
To suit PH3025

Part No: MAZ-901402004



Mazzone Boiler Motor
To suit PH4000

Part No: MAZ-901402003



Mazzone Boiler Motor
To suit W4000 & W5000

Part No: MAZ-901402002



Mazzone Boiler Motor
To suit W5050

Part No: MAZ-901402001



High Tension Transformer
Mazzone 240v

Part No: MAZ-403004010



High Tension Transformer
Mazzone 400v for PH4000

Part No: MAZ-403004001



High Tension Transformer
Cofi 240v, side entry 2
4KV x 18MA

Part No: PWP102/2



High Tension Transformer
Scaldalai 240v, side entry 2
4KV x 18MA

Part No: PWP102/1



MTM Pressure Switch
15-250 bar
1/4" M thread

Part No: PWP100/9



MTM Pressure Switch
25-250 bar, 240v
1/4" M thread

Part No: PWP100/10



Pressure Switch
25-250 bar, 240v
3/8" M thread

Part No: PWP100/12



Pressure Switch
40-250 bar, 240v
3/8" M thread

Part No: PWP100/13



Mazzone Fuel Pump
Clockwise to suit
W5050

Part No: MAZ-301524007



Mazzone Fuel Pump
Anti-clockwise to suit
PH3025 & PH4000

Part No: MAZ-301524006



Drive Peg
Danfloss/Delta type
22mm x 8mm ID

Part No: PWP104/1

MOTORS & SPARES



Ravel 1450RPM Motor
2.2 kW
24mm hollow shaft

Part No: MO2.2-HR



Ravel 1450RPM Motor
5.5 kw
24mm hollow shaft

Part No: MO5.5-HR



TEC Solid Shaft Motor
11kw
38mm solid shaft

Part No: MO11-ST



TEC Cast Iron Motor
15kw
38mm solid shaft

Part No: MO15ST



TEC 4 pole Motor
28mm solid shaft
2.2kw Part No:MO2.2-ST
3 kw-Part No: MO3.0-ST
7.5kw- Part No: MO7.5-ST



Mazzoni Motor Kit
2.2kw
24mm hollow shaft
M100 Frame
Part No: MO2.2-M



Mazzoni Motor Kit
5.5 kW
24mm hollow shaft
M112 Frame
Part No: MO5.5-M



Motor Flange
B 044 flange
Part No: ZF044



Motor Flange
B 091 flange
Part No: ZF091



Motor Flange
B 151 flange
Part No: ZF151



Motor Flange
B 132 flange
Part No: ZF132



Motor Coupling
24mm - 28mm
Part No: ZG044



Motor Coupling
24mm - 28mm
Part No: ZG091



Motor Coupling
24mm - 28mm
Part No: ZG151



Motor Coupling
24mm - 38mm
Part No: ZG132



Motor Capacitor
40 UF capacitor
Part No: CAP40S



Motor Capacitor
50 UF capacitor
Part No: CAP50S



Motor Capacitor
70 UF capacitor
Part No: CAP70S



Motor Capacitor
70 UF electronic start
condenser
Part No: MAZ-902102001



Contactor
24v 16 amp
Part No: PWP133



Contactor
240v 16 amp

Part No: PWP134



Contactor
240v mini contactor

Part No: PWP131



Contactor
24v mini contactor

Part No: PWP132



Change-over Switch
240V 20 amp
6 terminal switch

Part No: MEC0392001023A



Safety Switch
240V 15 amp
2 terminal switch

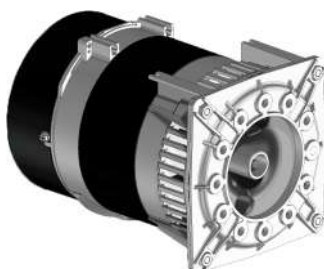
Part No: FF01652



Mecc Alte S15W Generator Unit

2 Pole 1 Phase

Part No.	kVA (50Hz)	Standby	Efficiency %	Kg
MECS15W-102	2.8	3.1	72	14.8



Mecc Alte S16W Generator Unit

2 Pole 1 Phase

Part No.	kVA (50Hz)	Standby	Efficiency %	Kg
MECS16W-90	3.5	3.9	75	16.1
MECS16W-130	5	5.5	77	21



Mecc Alte S20W Generator Unit

2 Pole 1 Phase

Part No.	kVA (50Hz)	Standby	Efficiency %	Kg
MECS20W-110	7	7.7	78.4	30.5



Mecc Alte S20F Generator Unit

2 Pole 1 Phase

Part No.	kVA (50Hz)	Standby	Efficiency %	Kg
MECS20FS-160	10	11	79.2	48.7



Zanardi AC Welder Unit

2 Poles

Part No.	Amps	Current (50Hz)	Duty Cycle %	kVA (50Hz)
MECHM1-200AC	200 AC	55	35	7



Zanardi DC Welder Unit

2 Poles

Part No.	Amps	Current (50Hz)	Duty Cycle %	kVA (50Hz)
MECPW2EL-200DC	200 DC	40	35	4.5



Sincro EA Welder Unit
2 Poles

Part No.	Amps	Current (50HZ)	Duty Cycle %	KVA (50HZ)
EA200MAC	200AC	30.4	35	7



Sincro ED Welder Unit
2 Poles

Part No.	Amps	Current (50HZ)	Duty Cycle %	KVA (50HZ)
ED200MDC	200DC	34.8	34.8/ 17.4	4



Comet AXD Pump

Brass manifold with 1/2" BSPF inlet & 22mm outlet



Part No.	Model	Shaft	RPM	Flow (lpm)	Bar	HP
CPAXD3020	AXD 3020 G	Hollow 19mm	3400	10.2	138	4.1

Comet BWDK Pump

Brass manifold with 1/2" BSPF & 3/8" BSPF outlet



Part No.	Model	Shaft	RPM	Flow (lpm)	Bar	HP
CPBW-DK3027G	BWDK3027G	Hollow 3/4"	3400	11.3	186	5.8

Comet LWD-K Pump

Brass manifold with 1/2" BSPF inlet & 22mm outlet



Part No.	Model	Shaft	RPM	Flow (lpm)	Bar	HP
CPLWD-K3522G	LWD-K 3522G	Hollow 3/4"	3400	13.1	152	5

Comet ZWD Pump

Brass manifold with 1/2" BSPF inlet & 3/8" BSPM outlet



Part No.	Model	Shaft	RPM	Flow (lpm)	Bar	HP
CPZWD4030G	ZWD 4030 G	Hollow 1"	3400	15	200	7.5

Comet ZWD-K Pump

Brass manifold with 1/2" BSPF inlet & 3/8" BSPF outlet



Part No.	Model	Shaft	RPM	Flow (lpm)	Bar	HP
CPZWD-K4030G	ZWD-K 4030 G	Hollow 24mm	3400	15	200	7.5

HIGH PRESSURE PUMPS



Comet LW Pump

Brass manifold with 1/2" BSPF & 3/8" BSPF outlet



Part No.	Model	Shaft	RPM	Flow (lpm)	Bar	HP
CPLW3016S	LW 3016 S	Solid 24mm	1450	11.2	110	3
CPLW3525S	LW 3525 S	Solid 24mm	1450	13.4	172	5.5

Comet FW Pump

Brass manifold with 1/2" BSPF & 3/8" BSPF outlet



Part No.	Model	Shaft	RPM	Flow (lpm)	Bar	HP
CPFW2 5530S	FW2 5530 S	Solid 24mm	1450	21.0	207	10.5

Comet RW Pump

Brass manifold with 1/2" BSPF inlet & 3/8" BSPF outlet



Part No.	Model	Shaft	RPM	Flow (lpm)	Bar	HP
CPRW4030	RW 4030 S	Solid 24mm	1450	15.6	207	8.1
CPRW5030	RW 5030 S	Solid 24mm	1450	18.8	207	9.8
CPRW5530	RW 5530 S	Solid 24mm	1450	20.8	200	10.8
CPRW6030	RW 6030 S	Solid 24mm	1450	23.4	207	12.1

Comet TW Pump

Brass manifold with 3/4" BSPF inlet & 1/2" BSPF outlet



Part No.	Model	Shaft	RPM	Flow (lpm)	Bar	HP
CPTW8030	TW 8030 S	Solid 24mm	1450	32.9	200	17

Comet TWS Pump

Brass manifold with 3/4" BSPF inlet & 1/2" BSPF outlet



Part No.	Model	Shaft	RPM	Flow (lpm)	Bar	HP
CPTWS7040S	TWS 7040 S	Solid 24mm	1750	26.3	276	18.5
CPTWS9030S	TWS 9030 S	Solid 24mm	1750	35	207	19
CPTWS10030	TWS 10030 S	Solid 24mm	1750	40.5	207	20

HIGH PRESSURE PUMPS



Comet LW Pump

Brass manifold with 1/2" BSPF & 3/8" BSPF outlet



Part No.	Model	Shaft	RPM	Flow (lpm)	Bar	HP
CPLW3016S	LW 3016 S	Solid 24mm	1450	11.2	110	3
CPLW3513S	LW 3513 S	Solid 24mm	1450	13.4	90	3
CPLW3525S	LW 3525 S	Solid 24mm	1450	13.4	172	5.5

Comet FW Pump

Part No.	Model	Shaft	RPM	Flow (lpm)	Bar	HP
CPFW2 5530S	FW2 5530 S	Solid 24mm	1450	21.0	207	10.5



Comet RW Pump

Brass manifold with 1/2" BSPF inlet & 3/" BSPF outlet



Part No.	Model	Shaft	RPM	Flow (lpm)	Bar	HP
CPRW4030	RW 4030 S	Solid 24mm	1450	15.6	207	8.1
CPRW5030	RW 5030 S	Solid 24mm	1450	18.8	207	9.8
CPRW5530	RW 5530 S	Solid 24mm	1450	20.8	200	10.8
CPRW6030	RW 6030 S	Solid 24mm	1450	23.4	207	12.1

Comet TW Pump

Brass manifold with 3/4" BSPF inlet & 1/2" BSPF outlet



Part No.	Model	Shaft	RPM	Flow (lpm)	Bar	HP
CPTW8030	TW 8030 S	Solid 24mm	1450	32.9	200	17

Comet TWS Pump

Brass manifold with 3/4" BSPF inlet & 1/2" BSPF outlet



Part No.	Model	Shaft	RPM	Flow (lpm)	Bar	HP
CPTWS7040S	TWS 7040 S	Solid 24mm	1750	26.3	276	18.5
CPTWS9030S	TWS 9030 S	Solid 24mm	1750	35	207	19
CPTWS10030	TWS 10030 S	Solid 24mm	1750	40.5	207	20



INTERPUMP



Interpump Wg8 Pump

Brass manifold with 1/2" BSPF inlet & 3/8" BSPF outlet

Part No.	Shaft	RPM	Flow (lpm)	Bar	HP
Wg8	Solid 24mm	1450	11	100	3



Interpump Wg9 Pump

Brass manifold with 1/2" BSPF inlet & 3/8" BSPF outlet

Part No.	Shaft	RPM	Flow (lpm)	Bar	HP
Wg9	Solid 24mm	1450	13	100	3.3



Interpump WS104 Pump

Brass manifold with 3/4" BSPF inlet & 3/8" BSPF outlet

Part No.	Shaft	RPM	Flow (lpm)	Bar	HP
WS104	Solid 35mm	1450	30	100	7.5



Interpump W112BV Pump

Brass manifold + integrated valve. VH trapped pressure unloader valve. Integrated chemical injection. B flange for IEC 100/112 B14 motors. 1/2" BSPF inlet & 3/8" BSPM outlet

Part No.	Shaft	RPM	Flow (lpm)	Bar	HP
W112BV	Hollow 28mm	1450	12	100	3



Interpump WS151 Pump

Brass manifold with 1/2" BSPF inlet & 3/8" BSPF outlet

Part No.	Shaft	RPM	Flow (lpm)	Bar	HP
WS151	Solid 24mm	1450	15	150	5.5



INTERPUMP



Interpump EL1714M Pump

Brass manifold with 1/2" BSPF inlet & 3/8" BSPF outlet

Part No.	Shaft	RPM	Flow (lpm)	Bar	HP
EL1714	Solid 24mm	1450	14	170	6.2



Interpump W154M Pump

Brass manifold with 1/2" BSPF inlet & 3/8" BSPF outlet

Part No.	Shaft	RPM	Flow (lpm)	Bar	HP
W154M	Solid 24mm	1450	14	150	5.5



Interpump WS201 Pump

Nickel plated brass manifold with 1/2" BSPF inlet & 3/8" BSPF outlet

Part No.	Shaft	RPM	Flow (lpm)	Bar	HP
WS201	Solid 24mm	1450	15	200	7.5



Interpump WS202 Pump

Nickel plated brass manifold with 1/2" BSPF inlet & 3/8" BSPF outlet

Part No.	Shaft	RPM	Flow (lpm)	Bar	HP
WS202	Solid 24mm	1450	21	200	10



Interpump E3B2118M

Nickel plated brass manifold with 1/2" BSPF inlet & 3/8" BSPF outlet

Part No.	Shaft	RPM	Flow (lpm)	Bar	HP
E3B2118M	Solid 24mm	1450	18	210	9.8



Interpump W2141 Pump

Forged brass manifold with 3/4" BSPF inlet & 3/8" BSPF outlet

Part No.	Shaft	RPM	Flow (lpm)	Bar	HP
W2141	Solid 24mm	1450	41	210	22



Hawk NHD Pump

Brass manifold with 1/2" BSPF inlet & 3/8" BSPF outlet

Part No.	Shaft	RPM	Flow (lpm)	Bar	HP
HKNHD1415R	Solid 24mm	1450	14	150	5.4



Hawk NMT Pump

Brass manifold with 1/2" BSPF inlet & 3/8" BSPF outlet

Part No.	Shaft	RPM	Flow (lpm)	Bar	HP
HKNMT1520R	Solid 24mm	1450	15	200	7.7
HKNMT2120R	Solid 24mm	1450	21	200	10.7
HKNMT1820R	Solid 24mm	1450	18	200	9.2



Hawk NLT Pump

Brass manifold with 1/2" BSPF inlet & 3/8" BSPF outlet

Part No.	Shaft	RPM	Flow (lpm)	Bar	HP
HKNLT2525ISR	Solid 24mm	1000	25	250	16



Hawk XLT Pump

Brass manifold with 1/2" BSPF inlet & 3/8" BSPF outlet

Part No.	Shaft	RPM	Flow (lpm)	Bar	HP
HKXLT3020R	Solid 24mm	1000	30	200	15.6
HKXLT2730IR	Solid 24mm	1450	27	250	20.5



Hawk NHD Pump

Brass manifold with 1/2" BSPF inlet & 3/8" BSPF outlet

Part No.	Shaft	RPM	Flow (lpm)	Bar	HP
HKNHD1115CL	Hollow 28mm	1450	11	150	4.3
HKNHD1215CR	Hollow 28mm	1450	12	150	4.6
HKNHD1415R	Hollow 28mm	1450	14	150	5.4
HKNHD1415CR	Hollow 28mm	1450	14	150	5.4
HKNHD1520CL	Hollow 28mm	1450	15	200	7.7

PUMP REPAIR KITS



Comet Pump Kit

Pump	Water Seal Kit	Oil Seal Kit	Valve Kit	Piston Kit
VXR 2522 G	COM-50190668	N/A	COM-50260257	COM-50260260
VXR 2522 V	COM-50190668	N/A	COM-50260257	COM-50260260
AXD 3020 G	COM-50190077	COM-50190079	COM-50250014	COM-24090089
AXD 3525 G	COM-50190077	COM-50190079	COM-50250014	COM-24090089
LWD-K 3522 G	COM-50190035	COM-50190041	COM-50250011	COM-24090071
ZWD 4030 G	COM-50190064	COM-50190065	COM-50250011	COM-24090071
ZWD-K 4030 G	COM-50190064	COM-50190065	COM-50250011	COM-24090071
LW 3016 S	COM-50190037	COM-50190040	COM-50250011	COM-24090072
LW 3513 S	COM-50190037	COM-50190040	COM-50250011	COM-24090072
LW 3525 S	COM-50190037	COM-50190040	COM-50250011	COM-24090072
LW-K 3020 S	COM-50190037	COM-50190040	COM-50250011	COM-24090072
RW 4030 S	COM-50190672	COM-50190672	COM-50250011	COM-24090074
RW 5030 S	COM-50190672	COM-50190672	COM-50250025	COM-24090145
RW 5530 S	COM-50190672	COM-50190672	COM-50250025	COM-240900145
RW 6030 S	COM-50190672	COM-50190675	COM-50250025	COM-24090074
TW 8030 S	COM-50190646	COM-50190678	COM-50250020	COM-24090114
TWS 7040 S	COM-50190645	COM-50190649	COM-50250021	COM-24090116
TWS 9030 S	COM-50190646	COM-50190678	COM-50250020	COM-24090114
TWS 10030 S	COM-50190646	COM-50190678	COM-50250020	COM-24090114



Hawk Pump Kits

Pump	Water Seal Kit	Oil Seal Kit	Valve (1)	Piston (1)	Packing Kit
NHD 1415 R	HK260189	HK260826	HK260012	HK260190	HK260188
NMT 1520 R	HK260077	HK260803	HK19055430	HK260107	HK260078
NMT 1820R	HK260077	HK260803	HK19055430	HK260107	HK260078
NMT 2120 R	HK260077	HK260803	HK19055430	HK260107	HK260078
NLT 2525 ISR	HK260126	HK260003	HK260130	HK260172	HK260126
XLT 3020 ISR	HK260113	HK260003	HK260010	HK260117	HK260114
XLT 2730 IR	HK260126	HK260003	HK260010	HK260130	HK260128
NHD 1115 CL	HK1905736	HK1905736	HK1905617	HK260190	HK1904737
NHD 1215 CR	HK260189	HK260826	HK260012	HK260190	HK260188
NHD 1415 CR	HK260189	HK260826	HK260012	HK260190	HK260180
NHD1520 CL	HK1905736	HK1905736	HK1905615	HK260190	HK1904737

PUMP REPAIR KITS



INTERPUMP

Interpump Pump Kits

Pump	Water Seal Kit	Oil Seal Kit	Valve Kit	Piston (1)
W201	KIT69	KIT2	KIT1	IP-47.0404.09
W203	KIT69	KIT24	KIT1	IP-47.0404.09
W91	KIT19	KIT23	KIT1	IP-50.0404.09
W98	KIT19	KIT23	KIT1	IP-50.0404.09
W99	KIT19	KIT23	KIT1	IP-50.0404.09
WS102	KIT69	KIT2	KIT1	IP-47.0404.09
WS104	KIT69	KIT37	KIT62	IP-47.0404.09
W112(B)	KIT127	KIT23	KIT123	IP-44040109
WS132	KIT148	KIT2	KIT1	IP-47.0405.09
W130M	KIT88	KIT23	KIT123	IP-52.0400.09
W140(B)	KIT127	KIT23	KIT123	IP-44040109
WS151	KIT69	KIT2	KIT1	IP-47.0404.09
W201	KIT69	KIT2	KIT1	IP-47.0404.09
WS202	KIT69	KIT2	KIT1	IP-47.0404.09
W2030	KIT172	KIT2	KIT169	IP-66.0401.09
W2035	KIT172	KIT2	KIT169	IP-66.0401.09
W2141	KIT181	KIT2	KIT169	IP66.0404.09
WW907CB	KIT97	KIT83	KIT1	IP-51.0400.09
WW909CVB	KIT97	KIT83	KIT1	IP-51.0400.09
WW961C	KIT88	KIT23	KIT123	IP-52.0400.09
WW962	KIT88	KIT23	KIT123	IP-52.0400.09



Udor SI123 Reduction Gearbox
For engine-driven 3400RPM

Part No.	Max. Power (hp)	Ratio	Oil (L)	Shaft
UDORGB2	6	2.3:1	0.22	19.05 mm 3/4"



Udor RM 122-K Reduction Gearbox
For engine-driven 3400RPM

Part No.	Max. Power (hp)	Ratio	Oil (L)	Shaft
UDORGB3	22	2.176:1	0.32	25.4 mm 1"



Hawk 2444.23 Multiplier Gearbox
For PTO-driven 540RPM

Part No.	Max. Power (hp)	Ratio	Oil (L)	Shaft
HKGB244423	15	1:2	0.5	24 mm



Udor MTP125 Multiplier Gearbox
For PTO-driven 540RPM

Part No.	Max. Power (hp)	Ratio	Oil (L)	Shaft
UDORGB1	27	1:2.5	0.35	24 mm



Comet Gearbox
Gearbox suitable for 1" shaft on Engine to match onto 24mm
Male shafted pump

Part No.	Max. Power (hp)	Ratio	Oil (L)	Shaft
COMGB1	18	1:2:18	0.35	24mm

ENGINE SPARES

HONDA REPLACEMENT PARTS



Honda Fuel Tank
To suit GX120 engines.
Supplied with cap & filter
Part No: V5233



Honda Fuel Tank
To suit GX140, GX160
and GX200 engines
Part No: V5261



Honda Fuel Tank
To suit GX240 and
GX270 engines
Part No: V5352



Honda Fuel Tank
To suit GX340 and GX390
engines
Part No: V5353



Fuel Tank Inner Filter
To suit Honda GX100 -
GX390 engines
Part No: V116



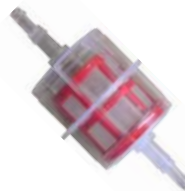
Honda Fuel Tank Filter
To suit Honda GX100 -
GX390 engines
Part No: V160



Honda Fuel Cap
Stainless Steel
Part No: V5264



Honda Fuel Cap
Plastic
Part No: V5214



In-Line Fuel Filter
Nylon
Universal 46mm
Part No: FUELFILTERL



In-Line Fuel Filter
Nylon
For Mazzoni 45mm
Part No: FUELFILTERM



Recoil Starter Assembly
To suit GCV160 &
GCV200
Part No: V5215



Recoil Starter Assembly
To suit GX120, GX140,
GX160 & GX200
Part No: V5288



Recoil Starter Assembly
To suit GX240 & GX270
Part No: V5280



Recoil Starter Assembly
To suit GX340 &
GX390
Part No: V5296



Recoil Cowl
To suit GX120
Part No: V5245



Recoil Cowl
To suit GX120, GX160 &
GX200
Part No: V5222



Recoil Cowl
To suit GX240 & GX270
Part No: V5496



Recoil Cowl
To suit GX340 & GX390
Part No: V5497



Recoil Starter Handle
Small
Part No: V5326



Recoil Starter Handle
Large
Part No: V5327



Recoil Starter Screw
To suit all Honda GX
engines
Part No: V5483



Recoil Starter Spring
To suit GX120, GX140,
GX160 & GX200
Part No: V5360



Recoil Starter Spring
To suit GX240, GX270,
GX340 & GX390
Part No: V5243

ENGINE SPARES

CARBURETTOR'S & COMPONENTS



Carburettor Assembly
To suit Honda GCV160 engine
Part No: V5632



Carburettor Assembly
To suit Honda GX120 engine
Part No: V5346



Carburettor Assembly
To suit Honda GX140 & GX160 engines
Part No: V5347



Carburettor Assembly
To suit Honda GX200 engine
Part No: V5216



Carburettor Assembly
To suit Honda GX240 engine
Part No: V5217



Carburettor Assembly
To suit Honda GX270 engine
Part No: V5391



Carburettor Assembly
To suit Honda GX340 engine
Part No: V5218



Carburettor Assembly
To suit Honda GX390 engine
Part No: V5325



Throttle Spring
To suit Honda GX140, GX160 & GX200
Part No: V5342



Governor Spring
To suit Honda GX140, GX160 & GX200
Part No: V5313



Switch with Oil Alert
To suit GX160, GX200, GX270 & GX390
Part No: V6172



Switch
To suit GX160, GX200, GX270 & GX390
Part No: V6030



Ignition Coil
To suit Honda GCV160
Part No: V6501



Ignition Coil
To suit GX120, GX140, GX160, GX200
Part No: V6053



Ignition Coil
To suit GX240, GX270, GX340, GX390
Part No: V6074



Oil Level Sensor
To suit GX120, GX140, GX160 & GX200
Part No: V5213



Oil Level Sensor
To suit GX240, GX270, GX340 & GX390
Part No: V6358



Spark Plug Cap
To suit all Honda engines
Part No: V5281



NGK Spark Plug
BM6A
Part No: NGK-BM6A



NGK Spark Plug
BCPR5ES
Part No: NGK-BCPR5ES



NGK Spark Plug
CMR5H



NGK Spark Plug
BP6ES

ENGINE SPARES

AIR FILTERS AND GASKETS



Honda Air Filter
To suit Honda GC160 & GC200 engines
Part No: V1068



Honda Air Filter
To suit Honda GX110 & GX120 engines
Part No: V2108



Honda Air Filter
To suit GX140, GX160 & GX200 engines
Part No: V2103



Honda Air Filter
To suit Honda GX240 & GX270 engines
Part No: V2135



Honda Air Filter
To suit Honda GX340 & GX390 engines
Part No: V2127



Air Filter Wing Nut
To suit GX140, GX160 & GX200 engines
Part No: V5220



Honda Gasket Set
To suit Honda GX120 engine
Part No: V6098



Honda Gasket Set
To suit Honda GX140 engine
Part No: V6036



Honda Gasket Set
To suit Honda GX160 engines
Part No: V6054



Honda Gasket Set
To suit Honda GX200 engine
Part No: V6103



Honda Gasket Set
To suit Honda GX240 engine
Part No: V6058



Honda Gasket Set
To suit Honda GX270 engine
Part No: V6203



Honda Gasket Set
To suit Honda GX340 engine
Part No: V6072



Honda Gasket Set
To suit Honda GX390 engine
Part No: V6075



Honda Oil Dipstick
To suit GX120, GX140, GX160 & GX200 engine
Part No: V6057



Honda Oil Dipstick
To suit GX340 & GX390 engine
Part No: V6059

ENGINE SPARES

YANMAR REPLACEMENT PARTS



Yanmar Fuel Tank
Genuine part to suit L90,
L100 & 186F engines
Part No: YAN-11431C-55710



Fuel Tank
To suit Yanmar L100
engine
Part No: Y5539



Fuel Cap
To suit Yanmar L100 &
L100-N engines
Part No: Y5474



Fuel Filter Element
To suit Yanmar L40 &
L48 engines
Part No: Y120



Fuel Filter Element
To suit Yanmar L100
engine - 132mm
Part No: Y123



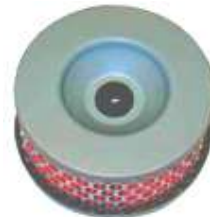
Fuel Filter Element
To suit Yanmar engine -
195mm
Part No: Y124



Fuel Tank Inlet Filter
To suit Yanmar L100
& L100-N engines
Part No: Y238



Oil Filter
To suit Yanmar L100 &
L100-N engines
Part No: Y390



Air Filter
To suit Yanmar L48 &
L70 engines
Part No: Y662



Air Filter
To suit Yanmar L90,
L100 & 186F engines
Part No: Y663



Air Filter
To suit Yanmar L100-N
engines
Part No: Y1350



Upper Fuel Tank Bracket
To suit Yanmar L90,
L100 & L100-N engines
Part No: Y5587



Lower Fuel Tank Bracket
To suit Yanmar L90,
L100 & L100-N engines
Part No: Y5566



Fuel Tap Assembly
To suit Yanmar L40, L48,
L90 & L100 engines
Part No: Y5610



Fuel Tank Damper
To suit Yanmar L40, L48,
L70, L90 & L100 engines
Part No: Y6210



Fuel Pump Assembly
To suit Yanmar L90 &
L100 engines
Part No: Y5541



Fuel Pump Assembly
To suit Yanmar L100N
Part No: YAN-714339-512



Yanmar Fuel Injector
Genuine part to suit
L100-N engine
Part No: YAN-714339-532



Fuel Injector
To suit Yanmar L90 &
L100 engines
Part No: Y5578



Dipstick
To suit Yanmar L100
& L100-N engines
Part No: Y6212



Engine Gasket Set
To suit Yanmar L40 &
L48 engines
Part No: Y5607



Engine Gasket Set
To suit Yanmar L100
engine
Part No: Y5608



Electric Starter Motor
To suit Yanmar L40,
L48, L70, L90 & L100
Part No: Y6227



Yanmar Key Switch
Genuine part to suit
Yanmar N Series engines &
L100-N engines
Part No: YAN-114351-775



Oil Alert Level Switch
To suit Yanmar L100
& L100-N engines
Part No: Y6556

ENGINE SPARES

YANMAR REPLACEMENT PARTS



Piston Ring Set
To suit Yanmar L100 engine
Part No: Y5582



Con Rod
To suit Yanmar L100 engine
Part No: Y5634



Piston Assembly
To suit Yanmar L100 engine
Part No: Y5703



Big End Shell
To suit Yanmar L100 engine
Part No: Y5709



Cylinder Head Cover
To suit Yanmar L90 & L100 engines
Part No: Y5628



Heat Shield Muffler
To suit Yanmar L100 engine
Part No: Y5588



Muffler Assembly
To suit Yanmar L100 engine
Part No: Y6288



Air Filter Assembly
To suit Yanmar L90 & L100 engines
Part No: Y5575



Recoil Starter Handle
To suit all Yanmar engines
Part No: Y5564



Yanmar Recoil Spring
Genuine part to suit L100 & L100-N engines
Part No: YAN-114399-76540



Recoil Starter Assembly
To suit Yanmar L48 & L48-N engines
Part No: Y5507



Recoil Starter Assembly
To suit Yanmar L90, L100 & L100-N engines
Part No: Y5341



Recoil Starter Assembly
Double PAWL - To suit Yanmar L70 engine
Part No: Y5305

ANTI VIBRATION MOUNTS AND CASTORS



Male Mount
Rubber
Dia. 25mm
Depth 20mm
M6 thread
Part No: RMD2520M620-1.5



Male Mount
Rubber
Dia. 50mm
Depth 30mm
M10 thread
Part No: RMD5030M1030-2



Male/Male Mount
Rubber
Dia. 20mm
Depth 10mm
M6 thread
Part No: RMA2010M615-1.55



Male/Male Mount
Rubber
Dia. 50mm
Depth 30mm
M10 thread
Part No: RMD5030M1025-2



Male/Female Mount
Rubber
Dia. 50mm
Depth 30mm
M8 thread
Part No: RMB4030M823-2



Angled Mount
For light-weight application
Dia. 30mm
Depth 30mm
M8 thread
Part No: RMAMV3654M812-2



Castor Wheel
Heavy-duty
125/37.5-50
Part No: WHEEL5/125